



Воротные СИСТЕМЫ

**ГАРАЖНЫЕ ВОРОТА CLASSIC
ПРОМЫШЛЕННЫЕ ВОРОТА PROPLUS,
ALUPRO И ALUTHERM
БОКОВАЯ ДВЕРЬ SDN**

каталог комплектующих
и ремонтных узлов



СОДЕРЖАНИЕ

1.	«Алютех Воротные Системы» — предприятие Группы компаний «АЛЮТЕХ»	13
2.	Сертификаты	19
3.	Секционные ворота серий Classic и ProPlus с торсионным валом	23
	• Конструкция секционных ворот с торсионным валом.....	25
	• Полотно ворот.....	31
	• Встроенная калитка.....	89
	• Системы направляющих и подвеса.....	133
	• Торсионный вал.....	173
4.	Секционные гаражные ворота серии Classic с пружинами растяжения	207
	• Конструкция секционных гаражных ворот серии Classic с пружинами растяжения.....	209
	• Полотно ворот.....	211
	• Системы направляющих и подвеса.....	221
	• Система балансировки.....	231
5.	Дополнительная комплектация	239
6.	Метизы	253
7.	Боковая дверь.....	259
8.	Ремонтные узлы	277

Артикул	№ страницы
4,8×9,5SDX	256
6,3×16S	255
6,3×25S-SS	256
8×25S	256
11043124	62
AC-1	177
AC-5/4	177
AG-8-12	59
B-86	186
B133	154
B134	153
B-152	187
B-152A	187
B180SL	228
B180SR	228
B0300	161
BB0401	200
BR0400	200
BS11	100
BS11	265
BSB0302	170
C2×0,5	126
C-9/57	80
C-36/41	129
C-36/41	271
C-36/41M	129
C-36/41M	272
C0502	245
C1010	58
C1011	58
CD010N	188
CD011V	191
CD012N	188
CD018N	188
CD018V	191
CD018V-5/4	191
CD032N	189
CD032N-5/4	189
CD054H	189
CD120H	190
CD164H	190
CD164H-5/4	190
CH0501	245
CP113-80	156
CP113-100	156
CP113-120	156
CP113-130	156
CP113-150	156
CP113-180	156
CP-133	157
CP0506	242
CP813-100	156
CP813-120	156
CP813-150	156
CP813-180	156
CP861	157
CP861S	227
CP864	157
CR-3-250	192
CR-3-250	236
CR-3-250-P	192
CR-3-250-SS	192
CR-4-250	192
CR-4-250-P	192
CR-4-250-SS	192
CR-5-250	192
CR-5-250-P	192
CR-5-250-SS	192
CR-6-250	192

Артикул	№ страницы
CR-6-250-P	192
CR-6-250-SS	192
CRP-68	194
CRP-100	194
CRS1-3	193
CRS1-4	193
CRS1-5	193
CRS1-6	193
CRS2-3	193
CRS2-3	236
CRS2-4	193
CRS2-5	193
CRS2-6	193
CRT-3	193
CRT-3	236
CRT-5	193
CRT-6	193
CT0.05-425-3025	45
CT0.05-425-3525	45
CT0.05-425-4025	45
CT0.05-425-4526	45
CT0.05-425-5040	45
CT0.05-425-7895	45
CT0.05-450-3025	45
CT0.05-450-3525	45
CT0.05-450-4025	45
CT0.05-450-4526	45
CT0.05-450-5040	45
CT0.05-450-7895	45
CT0.05-475-3025	46
CT0.05-475-3525	46
CT0.05-475-4025	46
CT0.05-475-4526	46
CT0.05-475-5040	46
CT0.05-475-7895	46
CT0.05-500-3025	46
CT0.05-500-3525	46
CT0.05-500-4025	46
CT0.05-500-4526	46
CT0.05-500-5040	46
CT0.05-500-7895	46
CT0.05-525-3025	47
CT0.05-525-3525	47
CT0.05-525-4025	47
CT0.05-525-4526	47
CT0.05-525-5040	47
CT0.05-525-7895	47
CT0.06-425-3025	45
CT0.06-425-3525	45
CT0.06-425-4025	45
CT0.06-425-4526	45
CT0.06-425-5040	45
CT0.06-425-7895	45
CT0.06-450-3025	45
CT0.06-450-3525	45
CT0.06-450-4025	45
CT0.06-450-4526	45
CT0.06-450-5040	45
CT0.06-450-7895	45
CT0.06-475-3025	46
CT0.06-475-3525	46
CT0.06-475-4025	46
CT0.06-475-4526	46
CT0.06-475-5040	46
CT0.06-475-7895	46
CT0.06-500-3025	46
CT0.06-500-3525	46
CT0.06-500-4025	46
CT0.06-500-4526	46

Артикул	№ страницы
CT0.06-500-5040	46
CT0.06-500-7895	46
CT0.06-525-3025	47
CT0.06-525-3525	47
CT0.06-525-4025	47
CT0.06-525-4526	47
CT0.06-525-5040	47
CT0.06-525-7895	47
CT1.01-425-3025	42
CT1.01-425-3525	42
CT1.01-425-4025	42
CT1.01-425-4526	42
CT1.01-425-5040	42
CT1.01-425-7895	42
CT1.01-450-3025	42
CT1.01-450-3525	42
CT1.01-450-4025	42
CT1.01-450-4526	42
CT1.01-450-5040	42
CT1.01-450-7895	42
CT1.01-475-3025	43
CT1.01-475-3525	43
CT1.01-475-4025	43
CT1.01-475-4526	43
CT1.01-475-5040	43
CT1.01-475-7895	43
CT1.01-500-3025	43
CT1.01-500-3525	43
CT1.01-500-4025	43
CT1.01-500-4526	43
CT1.01-500-5040	43
CT1.01-500-7895	43
CT1.01-525-3025	44
CT1.01-525-3525	44
CT1.01-525-4025	44
CT1.01-525-4526	44
CT1.01-525-5040	44
CT1.01-525-7895	44
CT1.02-425-3025	42
CT1.02-425-3525	42
CT1.02-425-4025	42
CT1.02-425-4526	42
CT1.02-425-5040	42
CT1.02-425-7895	42
CT1.02-450-3025	42
CT1.02-450-3525	42
CT1.02-450-4025	42
CT1.02-450-4526	42
CT1.02-450-5040	42
CT1.02-450-7895	42
CT1.02-475-3025	43
CT1.02-475-3525	43
CT1.02-475-4025	43
CT1.02-475-4526	43
CT1.02-475-5040	43
CT1.02-475-7895	43
CT1.02-500-3025	43
CT1.02-500-3525	43
CT1.02-500-4025	43
CT1.02-500-4526	43
CT1.02-500-5040	43
CT1.02-500-7895	43
CT1.02-525-3025	44
CT1.02-525-3525	44
CT1.02-525-4025	44
CT1.02-525-4526	44
CT1.02-525-5040	44
CT1.02-525-7895	44
DIC043BR	83

БЫСТРЫЙ ПОИСК

Артикул	№ страницы
DIC043WH.....	83
DIS043BR-3.....	83
DIS043BR-4.....	84
DIS043WH-3.....	83
DIS043WH-4.....	84
DP0207.....	125
DP2010.....	125
DP2027.....	125
DR-11-05.....	241
DR-11-07.....	241
DR-11-10.....	241
DR-12-05.....	241
DR-12-07.....	241
DR-12-10.....	241
EC-12.450L.....	48
EC-12.450R.....	48
EC-12.500L.....	48
EC-12.500R.....	48
EC-12.625L.....	48
EC-12.625R.....	48
EC-425L.....	48
EC-425R.....	48
EC-450L.....	48
EC-450R.....	48
EC-475L.....	48
EC-475R.....	48
EC-500L.....	48
EC-500R.....	48
EC-525L.....	48
EC-525R.....	48
EC-625L.....	48
EC-625R.....	48
ECS-500L.....	214
ECS-500R.....	214
ECS-625L.....	214
ECS-625R.....	214
FPB5007.....	71
FPB5009.....	72
FPB5010.....	72
FPP5008.....	72
FRK07.....	265
FRK29-01.....	57
FRK37.....	57
FRK37.....	269
FRK38.....	57
FWO100/145B.....	247
FWO100C.....	249
FWO100F.....	248
FWO100H.....	249
FWO145C.....	249
FWO145F.....	248
FWO145H.....	250
GG-40x40.....	59
GG-58.....	58
GLG-1.....	283
GLG-2.....	283
GLG-3.....	280
GLG-4.....	280
GLG-5.....	306
GLG-6.....	306
GLG-7.....	300
GLG-8.....	307
GLG-9.....	307
GLG-10.....	301
Grand F-65.....	274
GSH-1.....	339
GSH-2.....	339
GSH-3.....	339
GSH-4.....	340

Артикул	№ страницы
GSH-5.....	340
GSH-6.....	340
GSH-7.....	340
GSH-8.....	340
GSH-9.....	340
GSH-10.....	340
GSH-12.....	342
GSH-13.....	342
GSH-14.....	342
GSH-15.....	342
GSH-16.....	342
GSH-17.....	341
GSH-18.....	341
GSH-19.....	343
GSH-20.....	343
GSH-21.....	343
GSH-22.....	343
GSH-23.....	343
GSH-24.....	343
GSH-25.....	343
GSH-27.....	341
GSH-28.....	341
GSH-29.....	339
GTS-1.....	323
HG008.....	77
HGI006.....	76
HGI006.002.01.....	76
HGI006.002.02.....	76
HGI006.002.03.....	76
HGI006.002.04.....	76
HGI006.002.09.....	76
HGI006.002.10.....	76
HGI006.002.12.....	76
HGI006.002.15.....	76
HGI006.002.16.....	76
HGI006.002.17.....	76
HGI006.002.18.....	76
HGI007.....	77
HKG-4.....	325
HKG-5.....	325
HKG-6.....	336
HKG-7.....	337
HKG-8.....	337
HKG-9.....	325
HKG-10.....	325
HKG-11.....	336
HKG-12.....	337
HKG-13.....	337
HKG-15.....	336
HKG-16.....	337
HKG-17.....	337
HKG-18.....	325
HKG-19.....	325
HKG-20.....	337
HKG-21.....	337
HKG-22.....	325
HKG-23.....	325
HKI-10.....	326
HKI-11.....	326
HKI-12.....	338
HKI-13.....	338
HKI-14.....	326
HKI-15.....	326
HKI-16.....	326
HKI-17.....	326
HKI-18.....	338
HKI-19.....	338
HKI-20.....	327
HKI-21.....	327

Артикул	№ страницы
HKI-22.....	327
HKI-23.....	327
HKI-24.....	338
HKI-25.....	338
HKI-26.....	327
HKI-27.....	327
HKI-28.....	338
HKI-29.....	338
HKI-30.....	327
HKI-31.....	327
HKI-32.....	338
HKI-33.....	338
HKI-34.....	328
HKI-35.....	328
HKI-36.....	328
HKI-37.....	328
HKI-38.....	338
HKI-39.....	338
HKI-40.....	328
HKI-41.....	328
HKI-42.....	338
HKI-43.....	338
HKI-48.....	329
HKI-49.....	329
HKI-50.....	329
HKI-51.....	329
HKI-52.....	329
HKI-53.....	329
HKI-54.....	330
HKI-55.....	330
HKI-56.....	330
HKI-57.....	330
HKI-58.....	330
HKI-59.....	330
HKI-60.....	330
HKI-61.....	330
HKI-62.....	331
HKI-63.....	331
HKI-64.....	338
HKI-65.....	338
HKI-66.....	331
HKI-67.....	331
HKI-68.....	331
HKI-69.....	331
HKI-70.....	338
HKI-71.....	338
HKI-72.....	332
HKI-73.....	332
HKI-74.....	332
HKI-75.....	332
HKI-76.....	338
HKI-77.....	338
HKI-78.....	332
HKI-79.....	332
HKI-80.....	338
HKI-81.....	338
HKI-82.....	332
HKI-83.....	332
HKI-84.....	338
HKI-85.....	338
HKI-86.....	333
HKI-87.....	333
HKI-88.....	333
HKI-89.....	333
HKI-90.....	338
HKI-91.....	338
HKI-92.....	333
HKI-93.....	333
HKI-94.....	338

Артикул	№ страницы
HKI-95	338
HKI-100	338
HKI-101	338
HKI-102	338
HKI-103	338
HKI-104	338
HKI-105	338
HKI-106	338
HKI-107	338
HKI-108	334
HKI-109	334
HKI-110	334
HKI-111	334
HKI-112	334
HKI-113	334
HKI-114	335
HKI-115	335
HKI-116	335
HKI-117	335
HKI-118	335
HKI-119	335
HKU001	246
IO500	242
IB-67L	196
IB-67R	196
IB-86	196
IB-111	196
IB-127	196
IB-152	196
IB-152-5/4	196
IH111	67
IH113	66
IH-114	67
IP-95-3000	184
IP-152-3000	184
IS85-2550	142
IS85-3060	142
IS85-3550	142
IS85-4100	142
IS85-4580	142
IS85-6000	142
IS85-7000	142
IS85-8000	142
LH3004	171
LPA-1	308
LPA-3	310
LPA-5	312
LPA-6	313
LPA-7	314
LPA-8	315
LPA-15	308
LPA-17	310
LPA-19	312
LPA-20	313
LPA-21	314
LPA-22	315
LPA-27	302
LPA-28	303
LPA-29	304
LPA-30	309
LPA-31	311
LPA-32	316
LPA-33	317
LPA-34	318
LPA-35	319
LPA-36	320
LPA-37	321
LPA-38	322

Артикул	№ страницы
LPA-40	309
LPA-41	311
LPA-42	316
LPA-43	317
LPA-44	318
LPA-45	319
LPA-46	320
LPA-47	321
LPA-48	322
LPF-1	280
LPF-2	281
LPF-3	281
LPU-1	284
LPU-3	285
LPU-5	288
LPU-6	289
LPU-7	290
LPU-8	291
LPU-15	284
LPU-17	285
LPU-19	288
LPU-20	289
LPU-21	290
LPU-22	291
LPU-27	280
LPU-28	281
LPU-29	281
LPU-30	286
LPU-31	287
LPU-32	292
LPU-34	293
LPU-35	294
LPU-36	295
LPU-37	296
LPU-38	297
LPU-39	298
LPU-40	286
LPU-41	287
LPU-42	292
LPU-44	293
LPU-45	294
LPU-46	295
LPU-47	296
LPU-48	297
LPU-49	298
LS1016	88
LS1016	219
M3N	255
M5×22SDX	257
M6×12BKL	254
M6×16BKL	254
M6×16BP	253
M6N	255
M6N-SS	255
M8×16BKL	254
M8×16BKL-SS	254
M8×25BKL	254
M8N	255
M10×25B	253
M10×55SCOL	256
M10×70B	253
M10×130B	254
M10N	255
MS-550	158
MS917	204
MW1.01-500	36
MW1.01-625	36
MW1.02-500	36
MW1.02-625	36

Артикул	№ страницы
MW1.03-500	36
MW1.03-625	36
MW1.04-500	36
MW1.04-625	36
MW1.09-500	36
MW1.09-625	36
MW1.10-500	36
MW1.10-625	36
MW1.12-500	36
MW1.12-625	36
MW1.14-500	36
MW1.14-625	36
MW1.16-500	36
MW1.16-625	36
P19L	74
P19R	74
P1012	86
P-1501	85
P-1502	85
PB-68L	195
PB-68R	195
PB-100L	195
PB-100R	195
PC-4016	238
PED2016	130
PED2017	130
PED2018	131
PED2019	131
PED2020	131
PED2025L	132
PED2025R	132
PR0503	245
PRD13	122
PRD19S	71
PRD19S-6000	71
PRD40	53
PRD41	54
PRD42	52
PRD43	52
PRD44	51
PRD45	51
PRD46	55
PRD47	55
PRD48	56
PRD50	54
PRD51	54
PRD52	53
PRD53	53
PRD54	51
PRD55	52
PRD56	55
PRD68	269
PRD70	110
PRD71	109
PRD71	109
PRD73	264
PRD74	264
PRD75	264
PRD76	268
PRD77	268
PRD78	265
PRD79	268
PRD80	269
PRG01	139
PRG01LFL	140
PRG01LFR	140
PRG01LL	139
PRG01LR	139
PRG02H	139

БЫСТРЫЙ ПОИСК

Артикул	№ страницы	Артикул	№ страницы	Артикул	№ страницы
PRG02LL	138	RBI-45.100R	64	RLG003.226.16	79
PRG02LR	138	RBI-45.110DL	63	RLG003.226.17	79
PRG02NL	137	RBI-45.110DR	63	RLG003.226.18	79
PRG02NR	137	RBI-45.120DL	64	RLI0103	80
PRG02SL	224	RBI-45.120DR	64	RM0.01-450	39
PRG02SR	224	RBI123	61	RM0.01-500	39
PRG03	144	RBI125	60	RM0.05-450	39
PRG04	143	RBI446L	63	RM0.05-500	39
PRG04S	143	RBI446ML	64	RM0.06-450	39
PRG04S	225	RBI446MR	64	RM0.06-500	39
PRG05S	141	RBI446R	63	RM0.07-450	39
PRG05S	224	RBS100L	216	RM0.07-500	39
PRG06	168	RBS100R	216	RM0.16-450	39
PRG07	150	RC0505	246	RM0.16-500	39
PRG07N	149	RE101FL-5	146	RM1.01-450	39
PRG07NS	225	RE101FL-10	146	RM1.01-500	39
PRG09	168	RE101FL-15	146	RM1.02-450	39
PRG-11	70	RE101FL-20	146	RM1.02-500	39
PRG-11	218	RE101FL-25	146	RM0104-4500	78
PRG-12	121	RE101FL-30	146	RP112	65
PRG-13	121	RE101FL-35	146	RP113	65
PRG-14	69	RE101FL-40	146	RP121	66
PRG-14	217	RE101FL-45	146	RP122	66
PRG-15	69	RE101FR-5	146	RS0.05-500	38
PRG-15	217	RE101FR-10	146	RS0.05-625	38
PRG-16	123	RE101FR-15	146	RS0.06-500	38
PRG-17	123	RE101FR-20	146	RS0.06-625	38
PRG-19-4290	73	RE101FR-25	146	RS0.07-500	38
PRG-19-4950	73	RE101FR-30	146	RS0.07-625	38
PRG-19-5610	73	RE101FR-35	146	RS1.01-500	37
PRG-19-6600	73	RE101FR-40	146	RS1.01-625	37
PRG-20-4290	73	RE101FR-45	146	RS1.02-500	37
PRG-20-4950	73	RE101L	146	RS1.02-625	37
PRG-20-5610	73	RE101R	146	RS1.03-500	37
PRG-20-6600	73	RE701HL	145	RS1.03-625	37
PRG32H	138	RE701HR	145	RS1.04-500	37
PRG32LL	138	RE801L	145	RS1.04-625	37
PRG32LR	138	RE801R	145	RS1.09-500	37
PRG32NL	137	RE801SL	145	RS1.09-625	37
PRG32NR	137	RE801SL	226	RS1.10-500	37
PRG110-8020	74	RE801SR	145	RS1.10-625	37
PRP05	56	RE801SR	226	RS1.12-500	37
R-130-11-G	68	RK-4500	78	RS1.12-625	37
R-130-11-SS	68	RK-6000	78	RS1.14-500	37
R-130-12-G	68	RL0.01-450	40	RS1.14-625	37
R-130-12-SS	68	RL0.01-500	40	RS1.16-500	37
R-205-12-G	68	RL0.05-450	40	RS1.16-625	37
R-205-12-SS	68	RL0.05-500	40	RS0301	171
RBG100L	63	RL0.06-450	40	RSB09	111
RBG100L-SS	63	RL0.06-500	40	RSB10	75
RBG100R	63	RL0.07-450	40	RSB10	218
RBG100R-SS	63	RL0.07-500	40	RSP16	47
RBG-100TNL	216	RL0.14-450	40	RSP25	56
RBG-100TNR	216	RL0.14-500	40	RST01	75
RBG700L	61	RL0.16-450	40	RSW06	111
RBG700L-SS	61	RL0.16-500	40	S140LFL-5	148
RBG700R	61	RL1.01-450	40	S140LFL-10	148
RBG700R-SS	61	RL1.01-500	40	S140LFL-15	148
RBG-700TNL	215	RL1.02-450	40	S140LFL-20	148
RBG-700TNR	215	RL1.02-500	40	S140LFL-25	148
RBG-750TNL	216	RLG003	79	S140LFL-30	148
RBG-750TNR	216	RLG003.226.01	79	S140LFL-35	148
RBG900L	60	RLG003.226.02	79	S140LFL-40	148
RBG900L-SS	60	RLG003.226.03	79	S140LFL-45	148
RBG900R	60	RLG003.226.04	79	S140LFR-5	148
RBG900R-SS	60	RLG003.226.09	79	S140LFR-10	148
RBG-900TNL	215	RLG003.226.10	79	S140LFR-15	148
RBG-900TNR	215	RLG003.226.12	79	S140LFR-20	148
RBI-45.100L	64	RLG003.226.15	79	S140LFR-25	148

Артикул	№ страницы
S140LFR-30	148
S140LFR-35	148
S140LFR-40	148
S140LFR-45	148
S140LL	148
S140LR	148
S-171L	151
S-171R	151
S-172L	151
S-172R	151
S340NL	147
S340NR	147
S0504	246
S840NL	147
S840NR	147
S940LL	147
S940LR	147
S940SL	147
S940SЛ	226
S940SR	147
S940SR	226
SA-5/4	177
SB0100	78
SB0101S	219
SB212S	235
SB-235	169
SB-485	169
SBD-1L	185
SBD-1R	185
SBD-51L	185
SBD-51R	185
SBD-67L	185
SBD-67R	185
SBD-TSS5/4L	185
SBD-TSS5/4R	185
SCG-1	206
SCI-1	206
SCI-5/4	206
SD-9000	270
SD-9001	270
SD-9003	266
SD-9004	266
SD-9005	273
SD-9006	273
SD-9007	273
SD-9009	274
SD-9010	275
SDH1124	274
SDH1124-BR	274
SDH1124-SL	274
SDH1124-WH	274
SDN5016	266
SF-51	183
SF-67	183
SF-95	183
SF-152L	184
SF-152L-5/4	184
SF-152R	184
SF-152R-5/4	184
SH220S	235
SKH-38	205
SKH-75	205
SKS-38	205
SKS-75	205
SP203S	234
SS-40.100	244
SS0206	126
SS0402	243
SS446L	244

Артикул	№ страницы
SS446R	244
T-100-6000	155
TB004	164
TB006	167
TB007	167
TB191S-300	163
TB191S-300	229
TB191S-500	163
TB191S-500	229
TB191S-800	163
TB191S-800	229
TB191S-1000	163
TB191S-1000	229
TB192S	164
TB192S	229
TB193S-330	163
TB193S-330	229
TB193S-680	163
TB193S-680	229
TB193S-910	163
TB193S-910	229
TB603	165
TB604	166
TB607-300	165
TB607-500	165
TB607-800	165
TB607-1000	165
TB607-1500	165
TBG815	202
TBG916	204
TBI510L	201
TBI510R	201
TBI520L	201
TBI520R	201
TBI530L	201
TBI530R	201
TBI540L	201
TBI540R	201
TBI550L	201
TBI550R	201
TBI560L	201
TBI560R	201
TBI570L	201
TBI570R	201
TBI580L	201
TBI580R	201
TBI590L	201
TBI590R	201
TBI915	203
TBI922	166
TBI923	166
TBI924	167
TBI925	203
TKU-1	323
TKU-2	323
TKU-3	323
TKU-4	323
TKU-5	323
TKU-6	323
TKU-7	323
TKU-8	323
TKU-9	323
TKU-11	323
TKU-13	324
TKU-21	324
TKU-22	324
TKU-23	324
TKU-24	324
TKU-25	324

Артикул	№ страницы
TKU-26	324
TKU-27	324
TKU-28	324
TKU-29	324
TKU-30	324
TKU-31	324
TKU-32	324
TN28×25BR×1150L	237
TN30×25WH×1075L	237
TN32×25YL×1120L	237
TN32×25YL×1400L	237
TN32×33GR×1050R	237
TN34×25RD×1400L	237
TN34×33BL×1375R	237
TN36×33OR×850R	237
TN36×33OR×1100R	237
TN38×33PN×1000R	237
TN40×33GN×1100R	237
TN42×33BK×1250R	237
TN45×33VT×1510R	237
TP-550	158
TSA42,5×51×900L	179
TSA42,5×51×900R	179
TSA45×51×1100L	179
TSA45×51×1100R	179
TSA47,5×51×1250L	179
TSA47,5×51×1250R	179
TSA50×51×1350L	179
TSA50×51×1350R	179
TSA52,5×51×1100L	179
TSA52,5×51×1100R	179
TSA52,5×51×1400L	179
TSA52,5×51×1400R	179
TSA55×51×1400L	179
TSA55×51×1400R	179
TSA55×67×1200L	180
TSA55×67×1200R	180
TSA57,5×51×1600L	179
TSA57,5×51×1600R	179
TSA57,5×67×1400L	180
TSA57,5×67×1400R	180
TSA60×51×1700L	179
TSA60×51×1700R	179
TSA60×67×1500L	180
TSA60×67×1500R	180
TSA62,5×51×1800L	179
TSA62,5×51×1800R	179
TSA62,5×67×1700L	180
TSA62,5×67×1700R	180
TSA65×51×1900L	179
TSA65×51×1900R	179
TSA65×67×1800L	180
TSA65×67×1800R	180
TSA65×95×1500L	181
TSA65×95×1500R	181
TSA70×51×1400L	179
TSA70×51×1400R	179
TSA70×51×2000L	179
TSA70×51×2000R	179
TSA70×67×2050L	180
TSA70×67×2050R	180
TSA70×95×1150L	181
TSA70×95×1150R	181
TSA70×95×1650L	181
TSA70×95×1650R	181
TSA75×67×2200L	180
TSA75×67×2200R	180
TSA75×95×1300L	181
TSA75×95×1300R	181

БЫСТРЫЙ ПОИСК

Артикул	№ страницы
TSA75×95×1750L	181
TSA75×95×1750R	181
TSA75×152×1300L	182
TSA75×152×1300R	182
TSA80×95×1500L	181
TSA80×95×1500R	181
TSA80×95×2100L	181
TSA80×95×2100R	181
TSA80×152×1500L	182
TSA80×152×1500R	182
TSA85×95×1250L	181
TSA85×95×1250R	181
TSA85×95×1600L	181
TSA85×95×1600R	181
TSA85×152×1250L	182
TSA85×152×1250R	182
TSA85×152×1750L	182
TSA85×152×1750R	182
TSA90×95×1400L	181
TSA90×95×1400R	181
TSA90×95×1500L	181
TSA90×95×1500R	181
TSA90×95×1800L	181
TSA90×95×1800R	181
TSA90×152×2200L	182
TSA90×152×2200R	182
TSA95×95×1600L	181
TSA95×95×1600R	181
TSA95×95×1750L	181
TSA95×95×1750R	181
TSA95×152×1300L	182
TSA95×152×1300R	182
TSA95×152×2250L	182
TSA95×152×2250R	182
TSA100×152×1400L	182
TSA100×152×1400R	182
TSA100×152×2450L	182
TSA100×152×2450R	182
TSA105×152×1400L	182
TSA105×152×1400R	182
TSA105×152×1650L	182
TSA105×152×1650R	182
TSA110×152×1550L	182
TSA110×152×1550R	182
TSA110×152×1800L	182
TSA110×152×1800R	182
TSA115×152×1800L	182
TSA115×152×1800R	182
TSA120×152×1700L	182
TSA120×152×1700R	182
TSA120×152×2100L	182
TSA120×152×2100R	182
TSH-3000	176
TSH-4500	176
TSH-5500	176
TSS-5/4-3800	176
TSS-5/4-5800	176
TSS-5/4-6000	176
TSS4004	197
TSS4005	198
TSS4006	198
TSS4007	198
TSS4008	199
TSS4009	199
TSS4012	159
TSS4013	160
TSS4014	160
TSS-4500	176
TSS-5000	176

Артикул	№ страницы
US230S	234
VG-368BK	87
VG-368RBK	87
VG-368RWH	87
VG-368WH	87
W040BR	82
W040WH	82
W041-BR	82
W041-WH	82
W042-BR	82
W042-WH	82
W043BR-CG	83
W043BR-TG	83
W043WH-CG	83
W043WH-TG	83
W046	81
W050BR	84
W050WH	84
W060BR	84
W060WH	84
W085	81
W095	81
WD01L-BR	113
WD01L-GR	113
WD01R-BR	113
WD01R-GR	113
WD11L-BR	112
WD11L-GR	112
WD11R-BR	112
WD11R-GR	112
WD12PL	122
WD12PR	122
WD13PL	122
WD13PR	122
WD16PL	124
WD16PR	124
WD17PL	124
WD17PR	124
WD21L-BR	101
WD21L-GR	101
WD21R-BR	101
WD21R-GR	101
WD22L-BR	101
WD22L-GR	101
WD22R-BR	101
WD22R-GR	101
WD32L-BR	112
WD32L-GR	112
WD32R-BR	112
WD32R-GR	112
WD100	120
WD151L.001	117
WD151L.001	117
WD151L.101	108
WD151L.101	108
WD151L.103	109
WD151L.103	109
WD151L.201	98
WD151L.201	98
WD151L.202	97
WD151L.202	97
WD151L.203	99
WD151L.203	99
WD151L.302	107
WD151L.302	107
WD151R.001	117
WD151R.001	117
WD151R.101	108
WD151R.101	108
WD151R.101	108

Артикул	№ страницы
WD151R.103	109
WD151R.103	109
WD151R.201	98
WD151R.201	98
WD151R.202	97
WD151R.202	97
WD151R.203	99
WD151R.203	99
WD151R.302	107
WD151R.302	107
WD152L.001	117
WD152L.001	117
WD152L.101	108
WD152L.101	108
WD152L.201	98
WD152L.201	98
WD152L.202	97
WD152L.202	97
WD152L.302	107
WD152L.302	107
WD152R.001	117
WD152R.001	117
WD152R.101	108
WD152R.101	108
WD152R.201	98
WD152R.201	98
WD152R.202	97
WD152R.202	97
WD152R.302	107
WD152R.302	107
WD-153L.001	118
WD-153L.001	118
WD-153L.101	109
WD-153L.101	109
WD-153L.201	99
WD-153L.201	99
WD-153L.202	98
WD-153L.202	98
WD-153L.203	99
WD-153L.203	99
WD-153L.302	108
WD-153L.302	108
WD-153R.001	118
WD-153R.001	118
WD-153R.101	109
WD-153R.101	109
WD-153R.201	99
WD-153R.201	99
WD-153R.202	98
WD-153R.202	98
WD-153R.203	99
WD-153R.203	99
WD-153R.302	108
WD-153R.302	108
WD161L.001	117
WD161L.001	117
WD161L.101	108
WD161L.101	108
WD161L.201	98
WD161L.201	98
WD161L.202	97
WD161L.202	97
WD161L.302	107
WD161L.302	107
WD161R.001	117
WD161R.001	117
WD161R.101	108
WD161R.101	108
WD161R.201	98

Артикул	№ страницы	Артикул	№ страницы	Артикул	№ страницы
WD161R.201	98	WD250R.302	106	WD403R.103	105
WD161R.202	97	WD250RA.202	96	WD403R.108	126
WD161R.302	97	WD250RA.302	96	WD403R.108	126
WD161R.302	107	WD250RA.302	106	WD403R.201	95
WD161R.302	107	WD250RA.302	106	WD403R.201	95
WD162L.001	117	WD260L.101	107	WD403R.202	95
WD162L.001	117	WD260L.101	107	WD403R.202	95
WD162L.101	108	WD260L.201	97	WD403R.203	95
WD162L.101	108	WD260L.201	97	WD403R.203	95
WD162L.201	98	WD260L.202	96	WD403R.302	105
WD162L.201	98	WD260L.202	96	WD403R.302	105
WD162L.202	97	WD260L.302	106	WD404L.001	116
WD162L.202	97	WD260L.302	106	WD404L.001	116
WD162L.302	107	WD260LA.202	96	WD404L.101	105
WD162L.302	107	WD260LA.202	96	WD404L.101	105
WD162R.001	117	WD260LA.302	106	WD404L.201	95
WD162R.001	117	WD260LA.302	106	WD404L.201	95
WD162R.101	108	WD260R.001	117	WD404L.202	95
WD162R.101	108	WD260R.001	117	WD404L.202	95
WD162R.201	98	WD260R.101	107	WD404L.302	105
WD162R.201	98	WD260R.101	107	WD404L.302	105
WD162R.202	97	WD260R.201	97	WD404R.001	116
WD162R.202	97	WD260R.201	97	WD404R.001	116
WD162R.302	107	WD260R.202	96	WD404R.101	105
WD162R.302	107	WD260R.202	96	WD404R.101	105
WD-163L.001	118	WD260R.302	106	WD404R.201	95
WD-163L.001	118	WD260R.302	106	WD404R.201	95
WD-163L.101	109	WD260RA.202	96	WD404R.202	95
WD-163L.101	109	WD260RA.202	96	WD404R.202	95
WD-163L.201	99	WD260RA.302	106	WD404R.302	105
WD-163L.201	99	WD260RA.302	106	WD404R.302	105
WD-163L.202	98	WD350L.202	96	WD2011	102
WD-163L.202	98	WD350L.202	96	WD2013	115
WD-163L.302	108	WD350L.302	106	WD2014	115
WD-163L.302	108	WD350L.302	106	WD2028	114
WD-163R.001	118	WD350R.202	96	WD2031	102
WD-163R.001	118	WD350R.202	96	WD2033	110
WD-163R.101	109	WD350R.302	106	WD2034L-BK	110
WD-163R.101	109	WD350R.302	106	WD2034L-BR	110
WD-163R.201	99	WD360L.202	96	WD2034L-GR	110
WD-163R.201	99	WD360L.202	96	WD2034R-BK	110
WD-163R.202	98	WD360L.302	106	WD2034R-BR	110
WD-163R.202	98	WD360L.302	106	WD2034R-GR	110
WD-163R.302	108	WD360R.202	96	WH011	119
WD-163R.302	108	WD360R.202	96	WH013	119
WD250L.101	107	WD360R.302	106	WL32	113
WD250L.101	107	WD360R.302	106	WL0200	127
WD250L.201	97	WD403L.001	116	WL0202	129
WD250L.201	97	WD403L.001	116	WL0202	271
WD250L.202	96	WD403L.101	105	WL2012	127
WD250L.202	96	WD403L.101	105	WL2021	271
WD250L.302	106	WD403L.103	105	WL2021-BK	271
WD250L.302	106	WD403L.103	105	WL2021-BR	128
WD250LA.202	96	WD403L.201	95	WL2021-BR	271
WD250LA.202	96	WD403L.201	95	WL2021-SL	128
WD250LA.302	106	WD403L.202	95	WL2021-SLP	271
WD250LA.302	106	WD403L.202	95	WL2021-WH	271
WD250R.001	117	WD403L.203	95	WL2022-BR	128
WD250R.001	117	WD403L.203	95	WL2022-SL	128
WD250R.101	107	WD403L.302	105	B802	162
WD250R.101	107	WD403L.302	105	M3×25S	256
WD250R.201	97	WD403R.001	116	M6×12BP	253
WD250R.201	97	WD403R.001	116	M8×12B	253
WD250R.202	96	WD403R.101	105	CB132-450	152
WD250R.202	96	WD403R.101	105	CB132-500	152
WD250R.302	106	WD403R.103	105		

**«АЛЮТЕХ ВОРОТНЫЕ СИСТЕМЫ» —
ПРЕДПРИЯТИЕ ГРУППЫ КОМПАНИЙ «АЛЮТЕХ»**

ГРУППА КОМПАНИЙ «АЛЮТЕХ»

Группа компаний «АЛЮТЕХ» объединяет 5 производственных предприятий и более 20 сбытовых подразделений, расположенных на территории Восточной и Западной Европы, а также СНГ.

ВЫПУСКАЕМАЯ ПРОДУКЦИЯ

- Сэндвич-панели для секционных ворот;
- алюминиевые экструдированные профили для секционных ворот и роллетных систем;
- стальные направляющие профили, кронштейны, соединительные пластины и другие комплектующие для секционных ворот;
- алюминиевые профильные системы для строительства;
- алюминиевые и стальные профили роликовой прокатки, комплектующие и аксессуары для роллетных систем;
- оконные отливы и сопутствующие элементы;
- гаражные и промышленные секционные ворота;
- боковые двери;
- въездные ворота (распашные и откатные ворота, калитки).

«АЛЮТЕХ ВОРОТНЫЕ СИСТЕМЫ»

Современное высокоэффективное промышленное предприятие, входящее в Группу компаний «АЛЮТЕХ». Площадь производственных помещений — более 50 000 м².



«Алютех Воротные Системы» занимается производством:

- сэндвич-панелей для секционных ворот;
- стальных направляющих профилей, радиусных элементов, кронштейнов, соединительных пластин и других комплектующих для секционных ворот;
- гаражных, промышленных и панорамных секционных ворот;
- боковых дверей;
- въездных ворот (распашных и откатных, калиток).

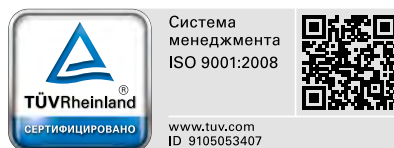
Завод «Алютех Воротные Системы» ориентирован на производство секционных гаражных и промышленных ворот для рынков Восточной и Западной Европы, а также СНГ.

Собственное производство секционных ворот дает возможность адекватно оценивать качество производимой воротной комплектации и быстро реагировать на запросы рынка.

Передовые технологии и квалифицированный персонал обеспечивают производство высококонкурентной продукции. На предприятии осуществляется мониторинг процессов на всех стадиях жизненного цикла продукции, начиная от проектирования до поставки готовой продукции клиентам. Проводится контроль качества закупаемых для производства сырья и комплектующих, операционный контроль в процессе изготовления, контроль качества готовой продукции, условий ее хранения.

Для изготовления секционных ворот используется сырье лучших европейских поставщиков, применяются самые современные технологии и новейшее оборудование.

Предприятие «Алютех Воротные Системы» прошло сертификационный аудит по новому стандарту ISO 9001: 2008 года, что подтверждено сертификатом TÜV Rheinland InterCert № 75 10070322.



АВТОМАТИЧЕСКИЕ ЛИНИИ ПО ПРОИЗВОДСТВУ СЭНДВИЧ-ПАНЕЛЕЙ РАЗЛИЧНЫХ ТИПОВ

Завод оснащен двумя современными высокопроизводительными линиями ведущих мировых производителей оборудования для изготовления сэндвич-панелей с пенополиуретановым наполнением. Предприятие производит более 450 видов сэндвич-панелей толщиной 45 мм и 40 мм, которые используются при производстве секционных ворот различных типов, калиток в фасаде и ворот серии ADS400.

В производстве используются экологически чистые сырье и материалы. Все вещества, применяемые для изготовления пенополиуретанового утеплителя, соответствуют требованиям соглашений Монреальского протокола 1987 года по веществам, разрушающим озоновый слой. Изготовление ворот из сэндвич-панелей гарантирует надежность и отличную теплоизоляцию.



ПРОИЗВОДСТВО СТАЛЬНЫХ ПРОФИЛЕЙ И КОМПЛЕКТУЮЩИХ

Применение специальной оснастки и постоянный контроль на всех стадиях производства деталей позволяет производить комплектующие для секционных ворот высокого качества. Сочетание универсального оборудования для обработки давлением с применением специальной оснастки обеспечивает высокую гибкость производства.

Для изготовления особо точных деталей применяются высокоточные станки с числовым программным управлением. В настоящее время «Алютех Воротные системы» выпускает более сотни наименований стальных профилей, необходимых для изготовления ворот.

Высокотехнологичная автоматизированная линия позволяет производить профили с высокой точностью выполняемых размеров и без повреждений цинкового покрытия. На предприятии внедрена современная система контроля геометрии и качества профиля в процессе производства.



Специальная оснастка и постоянный контроль на всех стадиях производства позволяют изготавливать комплектующие неизменно высокого качества. Универсальное оборудование для обработки давлением в сочетании со специальной оснасткой обеспечивают высокую гибкость производства. Благодаря этому внедрение новейших разработок осуществляется в максимально короткие сроки. Для изготовления особо выверенных деталей применяются высокоточные станки с числовым программным управлением.



ПРОИЗВОДСТВО ЭКСТРУДИРОВАННЫХ АЛЮМИНИЕВЫХ ПРОФИЛЕЙ ДЛЯ СЕКЦИОННЫХ ВОРОТ

Производство экструдированных алюминиевых профилей для секционных ворот, их последующая окраска и анодирование осуществляются на «АлюминТехно». Предприятие оснащено оборудованием ведущих производителей США, Германии, Италии, Великобритании, Канады и др.

На заводе реализован полный цикл производства от плавки первичного алюминия до выпуска прессованных профилей и их окраски. Главные составляющие производства — современный литейный комплекс, высокотехнологичная прессовая линия и передовое покрасочное производство. Производство по окраске и анодированию профилей соответствует требованиям международного стандарта Qualicoat и Qualanod, что подтверждено соответствующими сертификатами.



Алюминиевые профили, производимые на «АлюминТехно», используются для:

- производства панорамных панелей;
- обрамления полотна калиток и секционных ворот.



АВТОМАТИЗИРОВАННАЯ ЛИНИЯ ПО ИЗГОТОВЛЕНИЮ И СБОРКЕ ВОРОТ

Для автоматизации изготовления и сборки ворот запущен производственный комплекс, в состав которого входит следующее оборудование: автоматический склад для хранения сэндвич-панелей (DimaSimma, Италия); автоматическая линия по изготовлению воротного полотна (Kraft, Германия).

Производственный комплекс обеспечивает полный замкнутый цикл технологического процесса производства ворот, включающий:

- автоматическую сортировку и хранение сэндвич-панелей;
- изготовление и сборку воротного полотна нужного типоразмера;
- автоматизацию процесса производства, при этом ручные операции будут сведены к минимуму;
- оптимальный график загрузки производства, что особенно важно в пик сезона.



«Алютех Воротные системы» производит следующие виды секционных ворот:

- гаражные секционные ворота с торсионным валом и пружинами растяжения;
- промышленные секционные ворота (10 видов);
- алюминиевые панорамные секционные ворота.

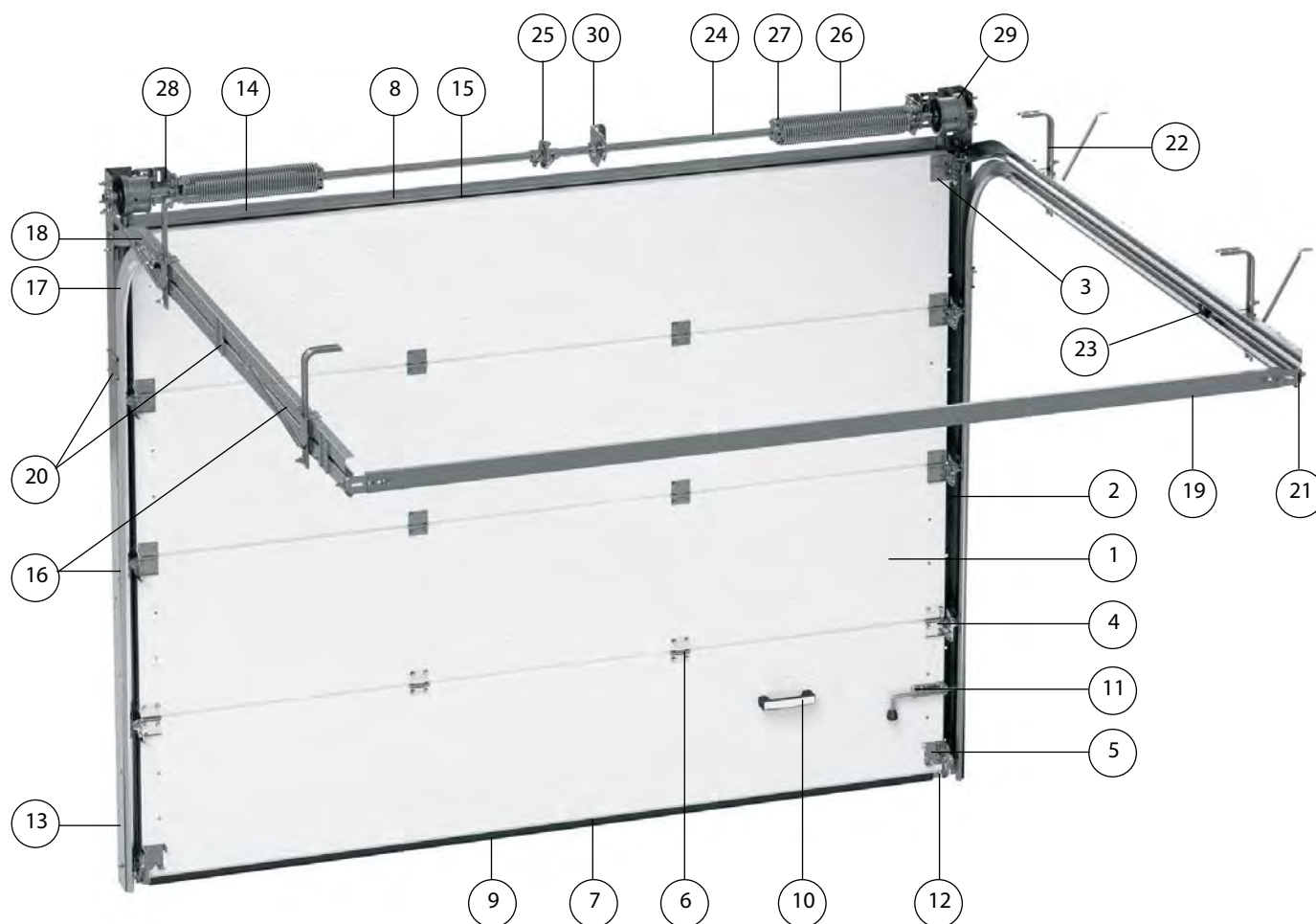
Качество и безопасность секционных ворот соответствуют требованиям европейских стандартов EN и подтверждены сертификатом CE.

СЕРТИФИКАТЫ





**СЕКЦИОННЫЕ ВОРОТА
С ТОРСИОННЫМ ВАЛОМ**

КОНСТРУКЦИЯ ГАРАЖНЫХ СЕКЦИОННЫХ ВОРОТ СЕРИИ CLASSIC СТАНДАРТНОГО ТИПА МОНТАЖА


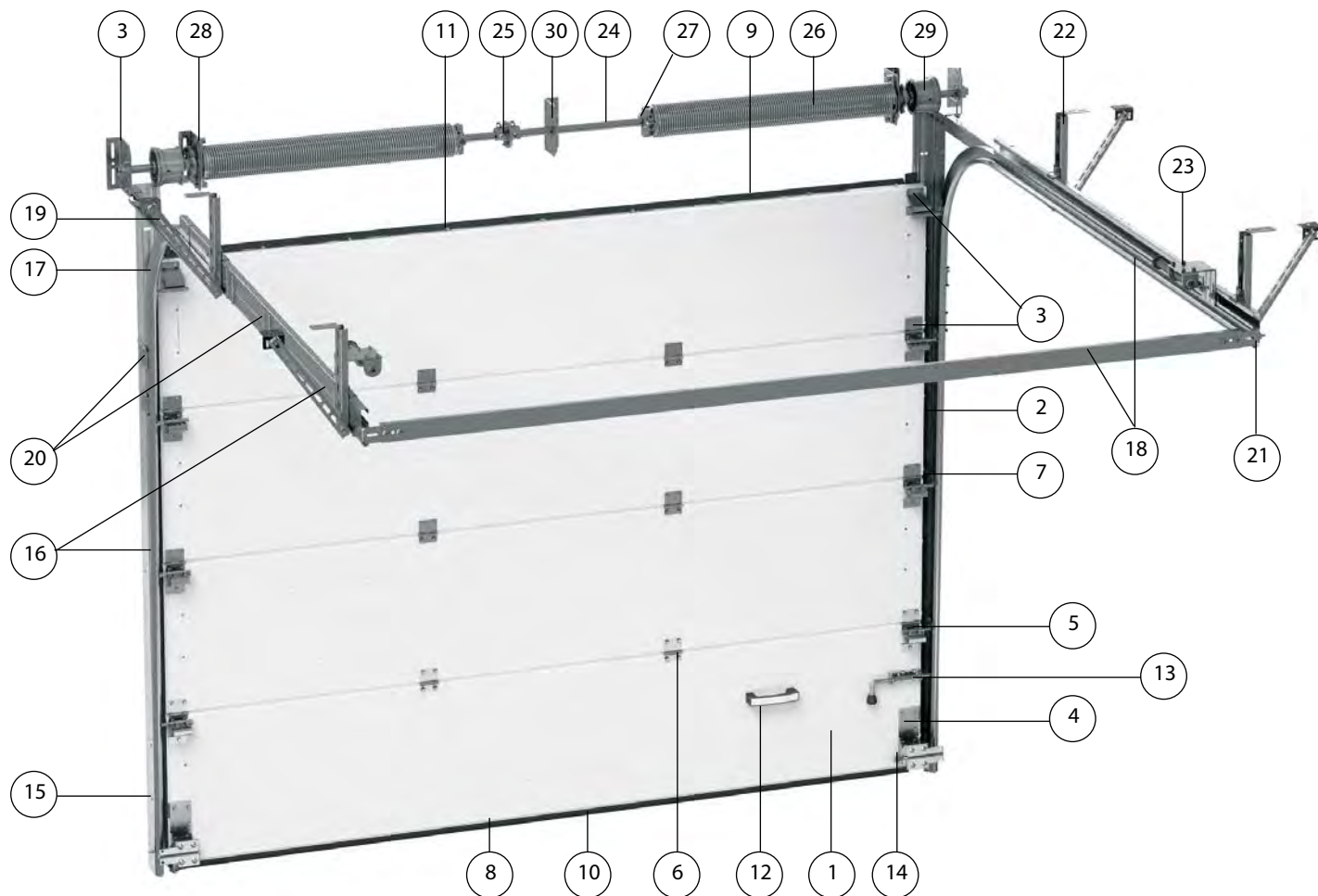
Секционные ворота «АЛЮТЕХ» соответствуют требованиям Европейских стандартов безопасности EN 12604 и EN 12453.

№	Наименование
Полотно ворот	
1	Сэндвич-панель
2	Накладка боковая
3	Кронштейн верхний
4	Кронштейн боковой
5	Кронштейн нижний
6	Петля промежуточная
7	Профиль концевой (нижний)
8	Профиль концевой (верхний)
9	Вставка уплотнительная (нижняя)
10	Ручка
11	Засов
12	Упор нижний
Системы направляющих и подвеса	
13	Профиль угловой
14	Профиль передний (нащельник)
15	Вставка уплотнительная

№	Наименование
Системы направляющих и подвеса	
16	Профиль направляющий
17	Элемент радиусный
18	Узел направляющий передний
19	С-профиль
20	Пластины соединительные
21	Кронштейн мерной планки
22	Телескопический подвес
23	Ограничитель
Торсионный вал	
24	Вал
25	Муфта соединительная
26	Пружина
27	Наконечник пружинный
28	Муфта предохранительная храповая
29	Барaban
30	Кронштейн промежуточный

КОНСТРУКЦИЯ СЕКЦИОННЫХ ВОРОТ С ТОРСИОННЫМ ВАЛОМ

КОНСТРУКЦИЯ ПРОМЫШЛЕННЫХ ВОРОТ СЕРИИ PROPLUS СТАНДАРТНОГО ТИПА МОНТАЖА



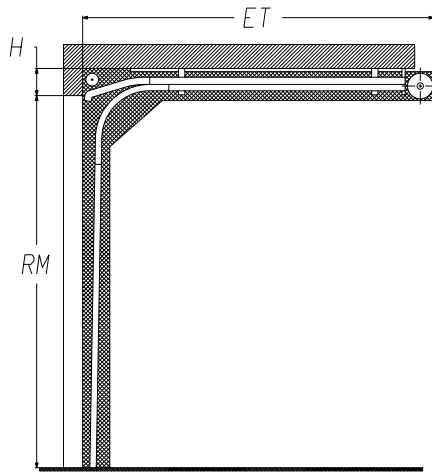
Секционные ворота «АЛЮТЕХ» соответствуют требованиям Европейских стандартов безопасности EN 12604 и EN 12453.

№	Наименование
Полотно ворот	
1	Сэндвич-панель
2	Накладка боковая
3	Кронштейн боковой
4	Кронштейн нижний
5	Накладка роликовая
6	Петля промежуточная
7	Ролик ходовой
8	Профиль концевой (нижний)
9	Профиль концевой (верхний)
10	Вставка уплотнительная (нижняя)
11	Вставка уплотнительная (верхняя)
12	Ручка
13	Засов
14	Упор нижний
Системы направляющих и подвеса	
15	Профиль угловой

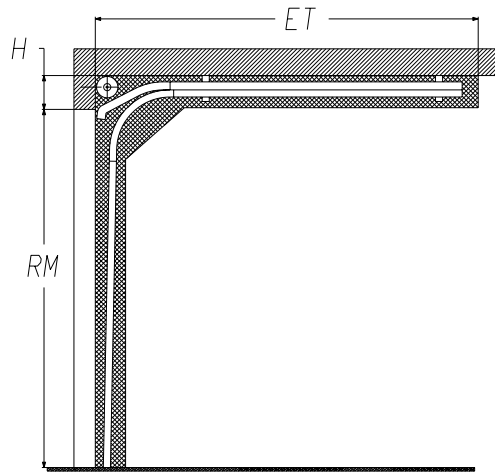
№	Наименование
16	Профиль направляющий
17	Элемент радиусный
18	С-профиль
19	Узел передний
20	Пластины соединительные
21	Кронштейн мерной планки
22	Телескопический подвес
23	Демпфер
Торсионный вал	
24	Вал
25	Муфта соединительная
26	Пружина
27	Наконечник пружинный
28	Муфта предохранительная храповая
29	Барaban
30	Кронштейн промежуточный
31	Кронштейн боковой

КОНСТРУКЦИЯ СЕКЦИОННЫХ ВОРОТ С ТОРСИОННЫМ ВАЛОМ

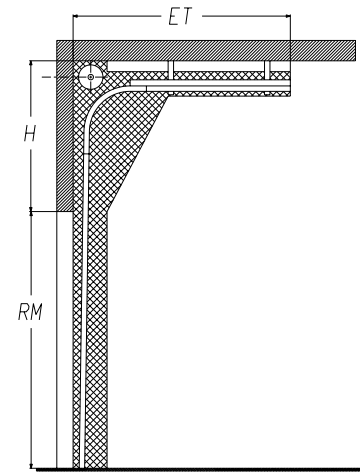
ТИПЫ МОНТАЖА ГАРАЖНЫХ СЕКЦИОННЫХ ВОРОТ
СЕРИИ CLASSIC С ТОРСИОННЫМ ВАЛОМ



**Низкий
тип монтажа**



**Стандартный
тип монтажа**

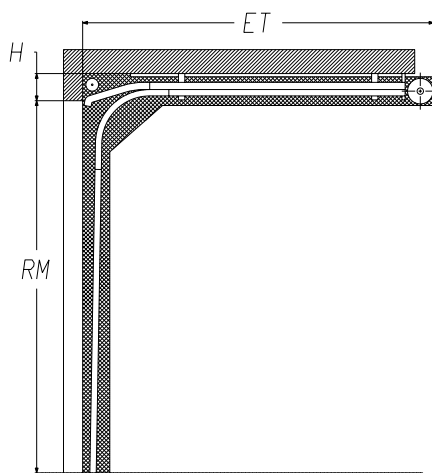


**Высокий
тип монтажа**

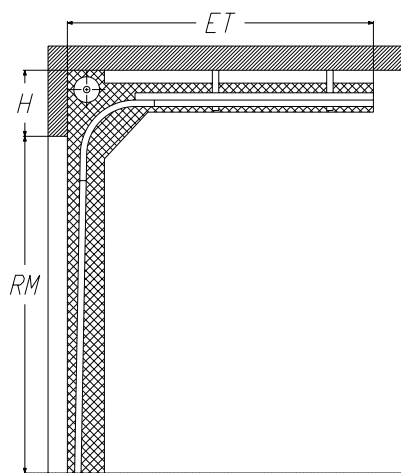
H — высота перемычки, мм
RM — высота проема, мм
ET — глубина вхождения ворот внутрь помещения, мм

Тип монтажа	Минимальная высота перемычки (H), мм
Низкий монтаж	100
Стандартный монтаж	210
Высокий монтаж с верхним расположением вала	900

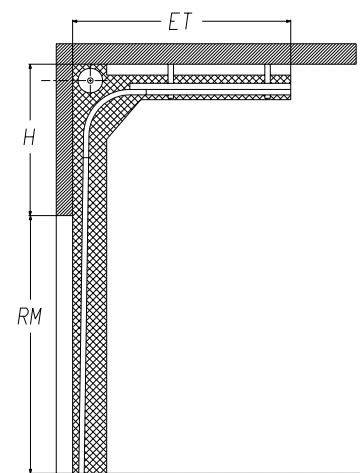
ТИПЫ МОНТАЖА ПРОМЫШЛЕННЫХ СЕКЦИОННЫХ ВОРОТ СЕРИИ PROPLUS С ТОРСИОННЫМ ВАЛОМ
ОДНОВАЛЬНАЯ СИСТЕМА БАЛАНСИРОВКИ ПОЛОТНА



**Низкий
тип монтажа**



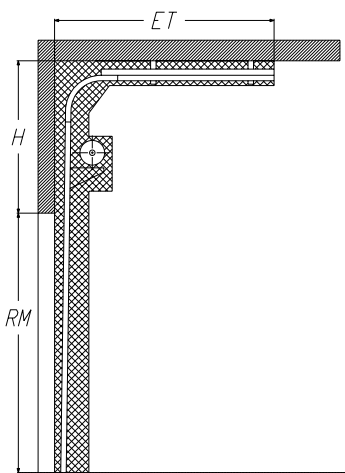
**Стандартный
тип монтажа**



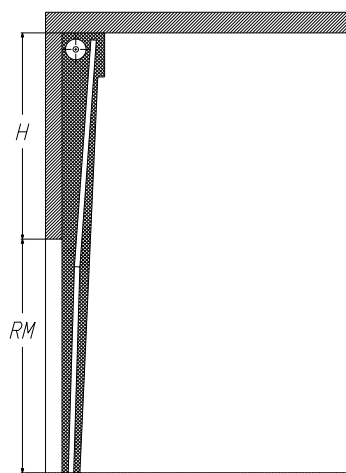
**Высокий тип монтажа
с верхним расположением вала**

КОНСТРУКЦИЯ СЕКЦИОННЫХ ВОРОТ С ТОРСИОННЫМ ВАЛОМ

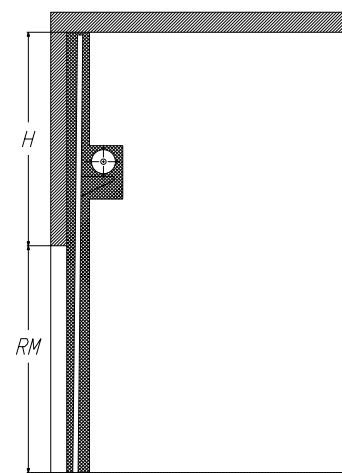
3



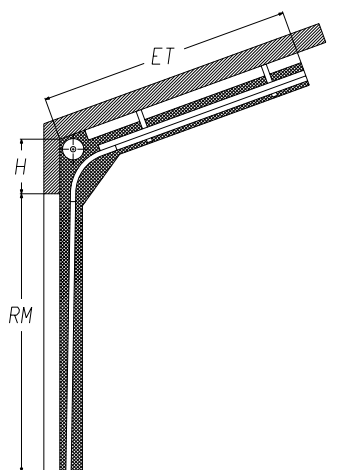
Высокий тип монтажа с нижним расположением вала



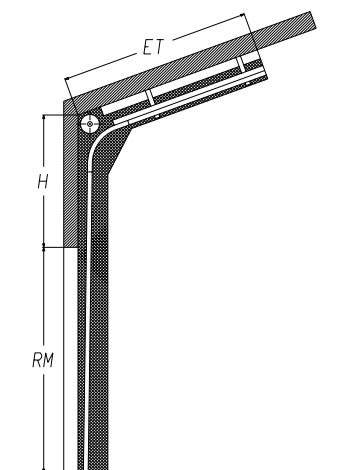
Вертикальный тип монтажа с верхним расположением вала



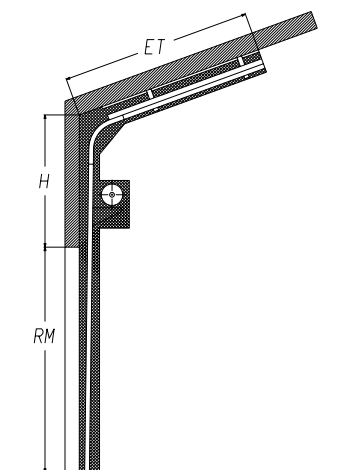
Вертикальный тип монтажа с нижним расположением вала



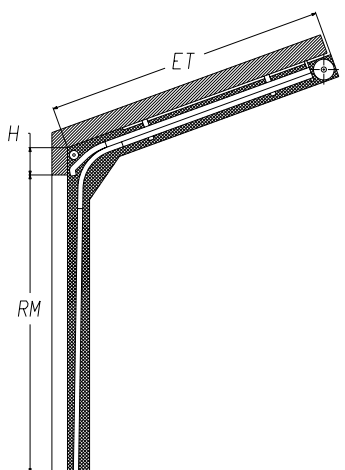
Наклонный тип монтажа



Наклонный высокий тип монтажа с верхним расположением вала



Наклонный высокий тип монтажа с нижним расположением вала

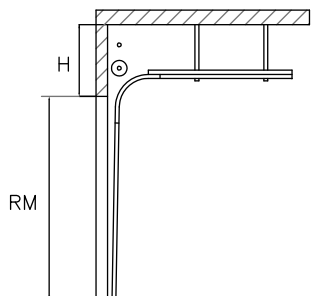


Наклонный низкий тип монтажа

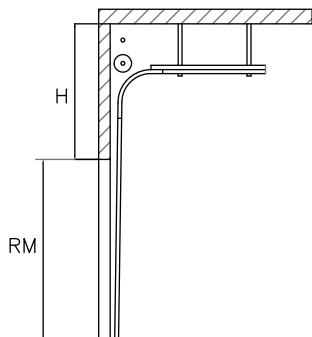
H — высота перемычки, мм
RM — высота проема, мм
ET — глубина входа ворот внутрь помещения, мм

Тип монтажа	Минимальная высота перемычки (H), мм
Низкий монтаж	230
Стандартный монтаж	410
Высокий монтаж с верхним расположением вала	900
Высокий монтаж с нижним расположением вала	1795
Вертикальный монтаж с верхним расположением вала	RM+ 340
Вертикальный монтаж с нижним расположением вала	RM+ 340
Наклонный монтаж	490
Наклонный высокий монтаж с верхним расположением вала	900
Наклонный высокий монтаж с нижним расположением вала	1795
Наклонный низкий монтаж	275

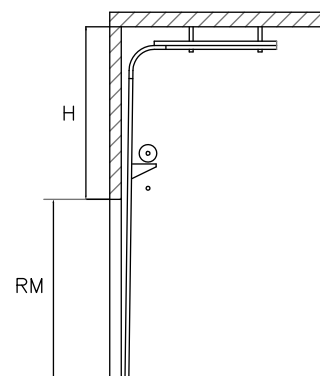
ТИПЫ МОНТАЖА ПРОМЫШЛЕННЫХ СЕКЦИОННЫХ ВОРОТ СЕРИИ PROPLUS С ТОРСИОННЫМ ВАЛОМ
ДВУХВАЛЬНАЯ СИСТЕМА БАЛАНСИРОВКИ ПОЛОТНА ВОРОТ



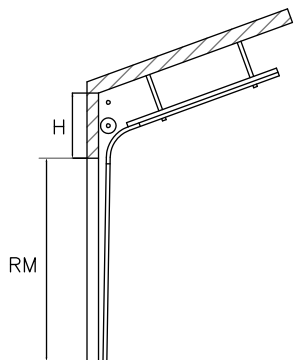
Стандартный тип монтажа



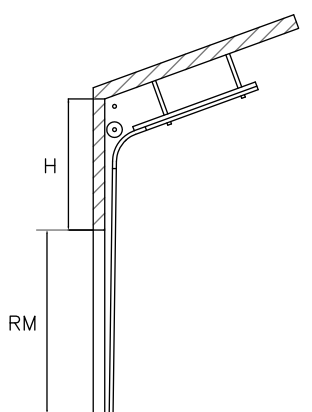
Высокий тип монтажа с верхним расположением валов



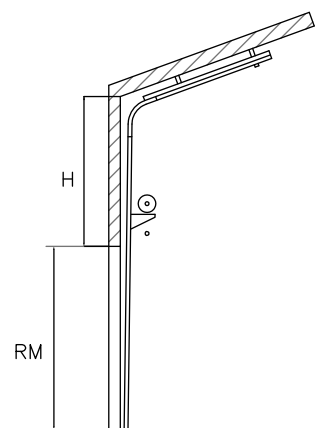
Высокий тип монтажа с нижним расположением валов



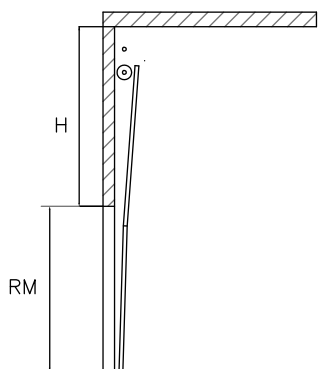
Наклонный тип монтажа



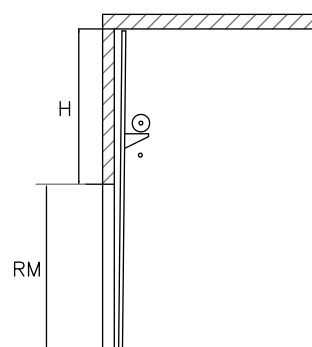
Наклонный высокий тип монтажа с верхним расположением валов



Наклонный высокий тип монтажа с нижним расположением валов



Вертикальный тип монтажа с верхним расположением валов



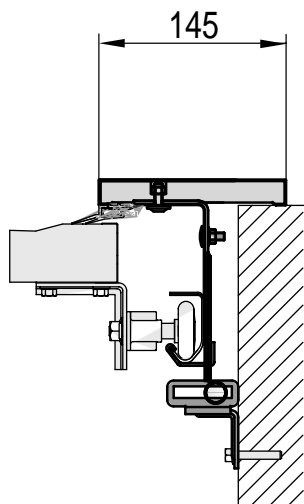
Вертикальный тип монтажа с нижним расположением валов

H — высота перемычки, мм
RM — высота проема, мм

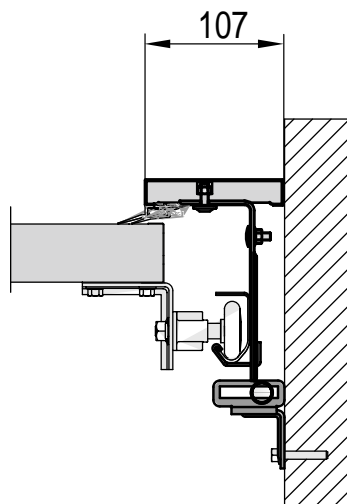
Тип монтажа	Минимальная высота перемычки (H), мм
Стандартный тип монтажа	840
Высокий тип монтажа с верхним расположением валов	1275
Высокий тип монтажа с нижним расположением валов	2100
Наклонный тип монтажа	920
Наклонный высокий тип монтажа с верхним расположением валов	1275
Наклонный высокий тип монтажа с нижним расположением валов	2100
Вертикальный тип монтажа с верхним расположением валов	RM+590
Вертикальный тип монтажа с нижним расположением валов	RM+340

КОНСТРУКЦИЯ СЕКЦИОННЫХ ВОРОТ С ТОРСИОННЫМ ВАЛОМ

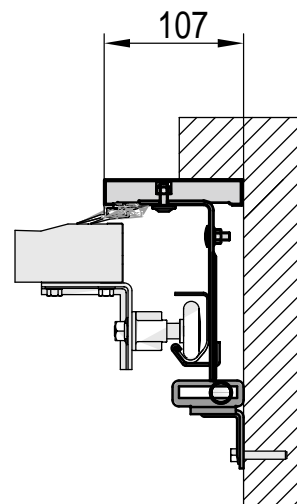
ВСТРОЕННЫЙ МОНТАЖ ГАРАЖНЫХ ВОРОТ СЕРИИ CLASSIC НИЗКОГО ТИПА МОНТАЖА



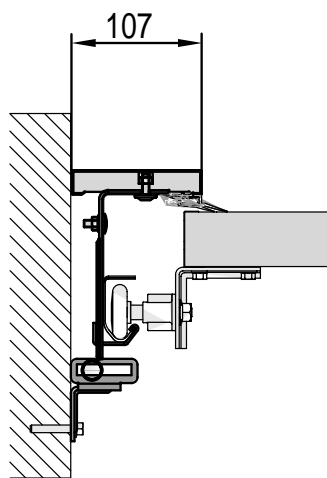
Монтаж перед проемом
Комплект FWO145



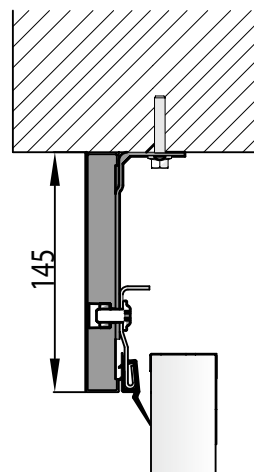
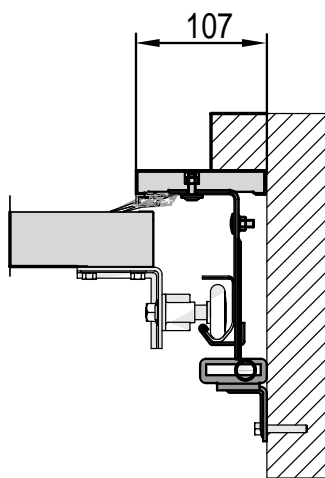
Монтаж в проем
Комплект FWO100



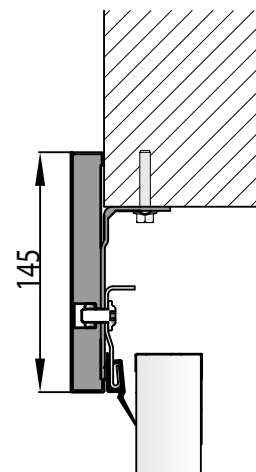
Монтаж за проемом
Комплект FWO100



Комбинированный монтаж
Комплект FWO145



**Установка
декоративного нащельника**



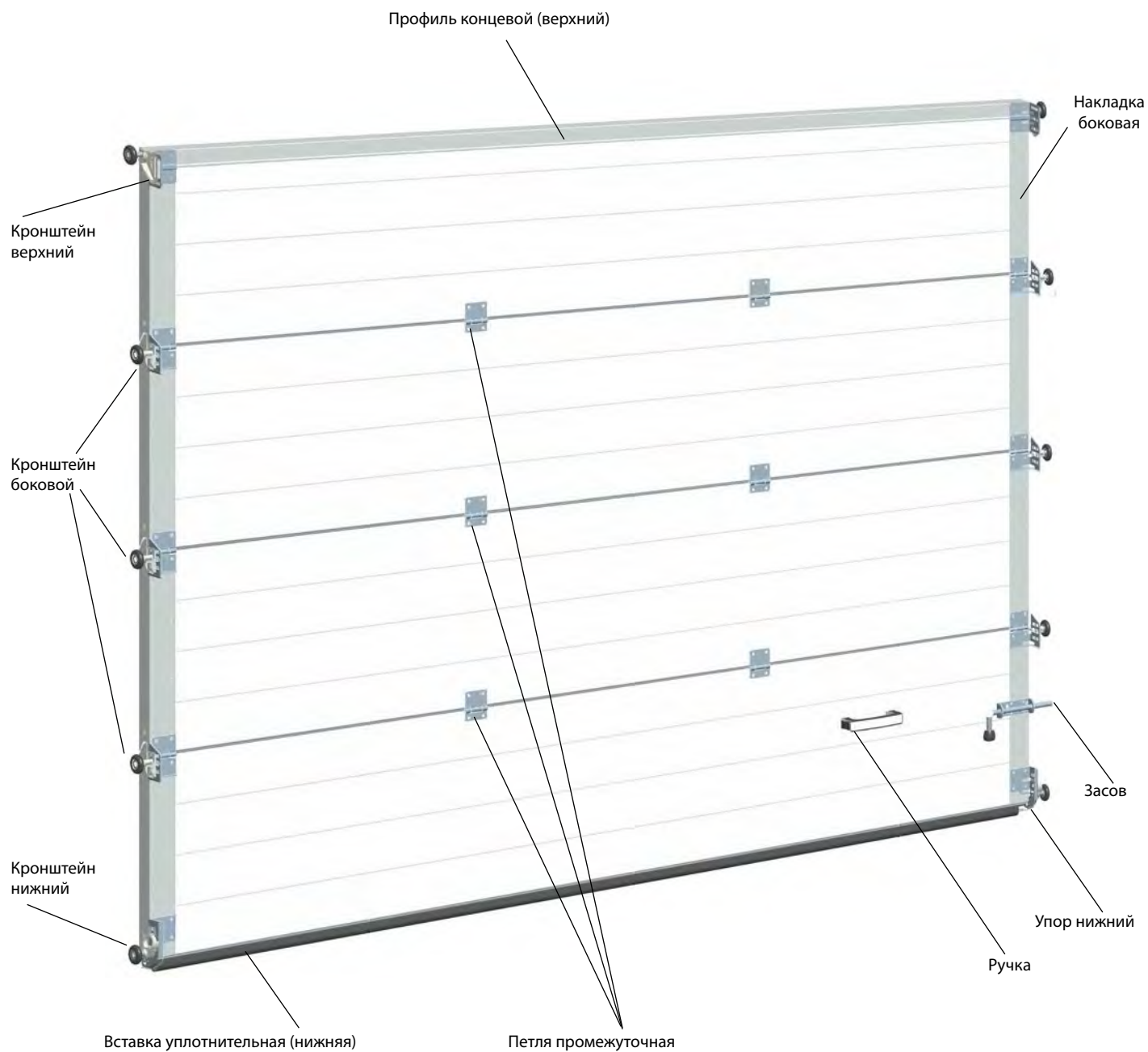
Размеры боковых заплечиков и верхней перемычки:

Боковые заплечики	0—125 мм
Верхняя перемычка	0—145 мм



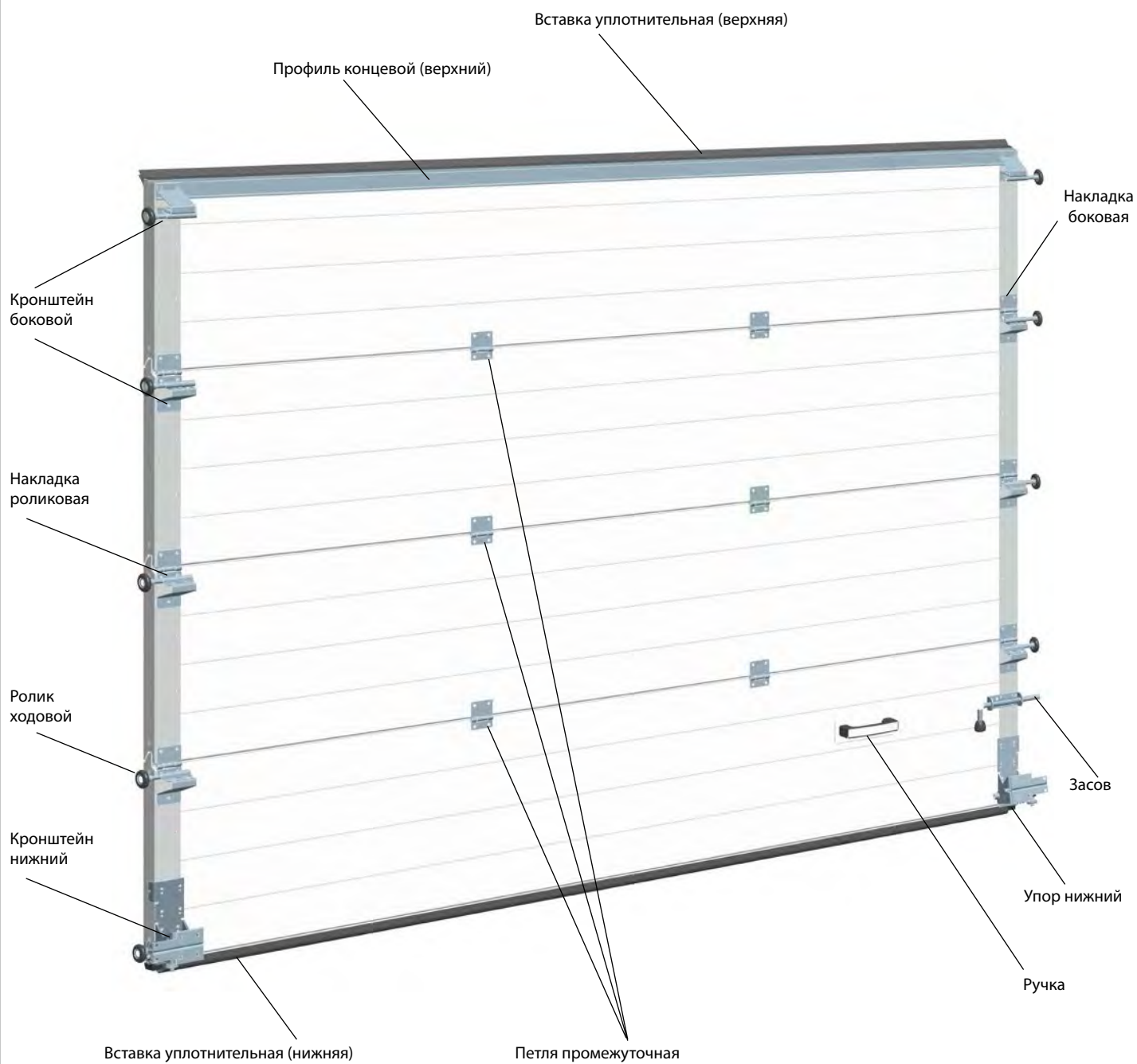
ПОЛОТНО ВОРОТ

ТИПОВАЯ КОНСТРУКЦИЯ ПОЛОТНА ГАРАЖНЫХ ВОРОТ СЕРИИ CLASSIC



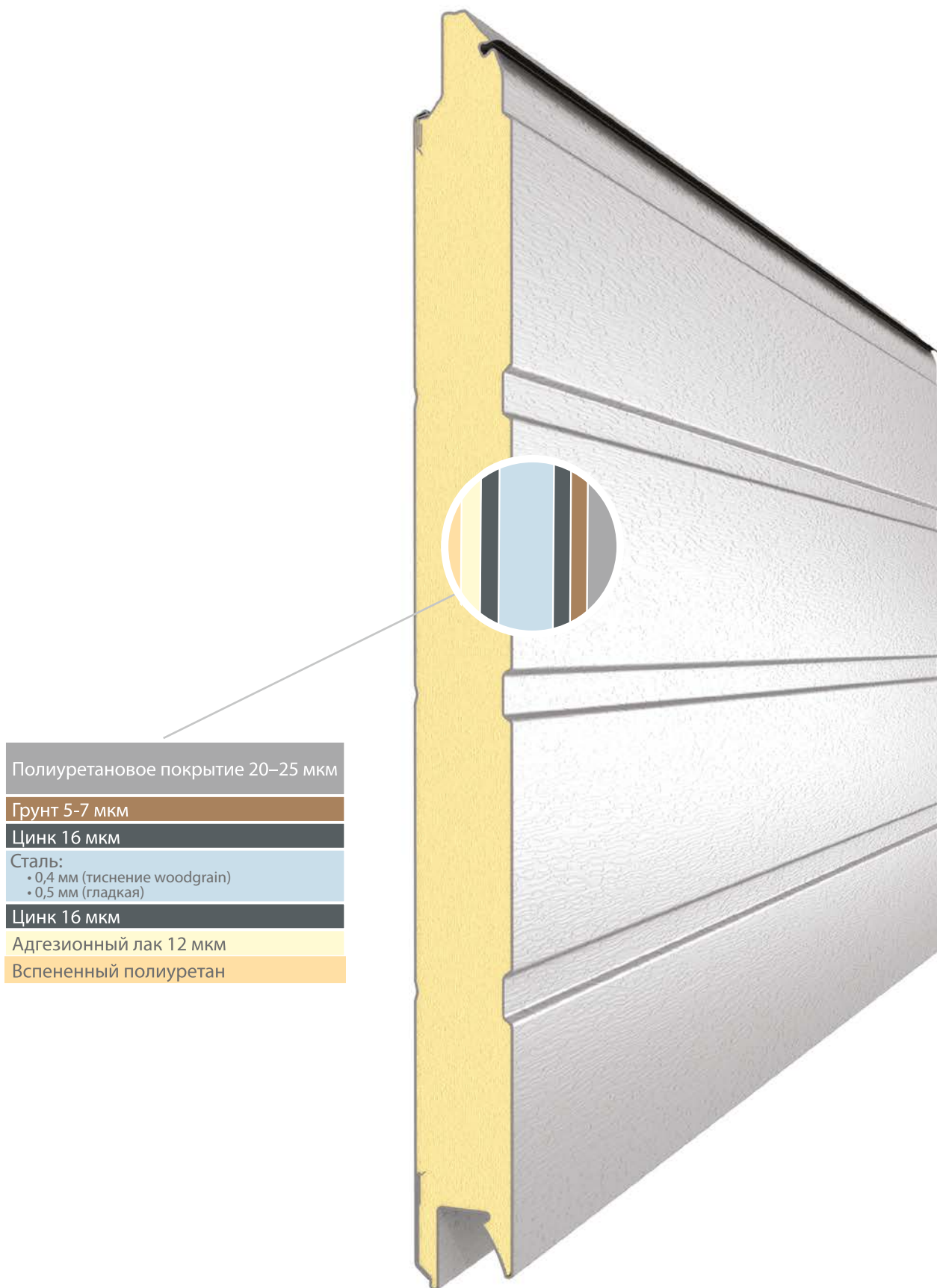
ТИПОВАЯ КОНСТРУКЦИЯ ПОЛОТНА ПРОМЫШЛЕННЫХ ВОРОТ СЕРИИ PROPLUS

3.1



КОНСТРУКЦИЯ СЭНДВИЧ-ПАНЕЛИ ТОЛЩИНОЙ 45 ММ С ЗАЩИТОЙ ОТ ЗАЩЕМЛЕНИЯ ПАЛЬЦЕВ

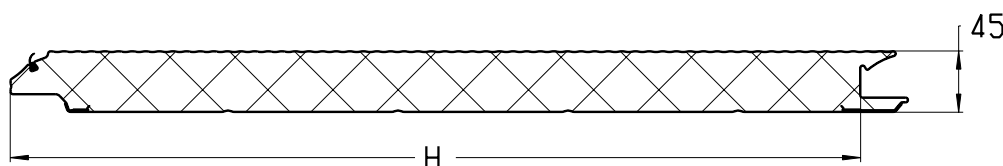
3.1



Полиуретановое покрытие 20–25 мкм
Грунт 5-7 мкм
Цинк 16 мкм
Сталь: • 0,4 мм (тиснение woodgrain) • 0,5 мм (гладкая)
Цинк 16 мкм
Адгезионный лак 12 мкм
Вспененный полиуретан

СЭНДВИЧ-ПАНЕЛИ ДЛЯ ПОЛОТНА ВОРОТ

**СЭНДВИЧ-ПАНЕЛИ С РИСУНКОМ «МИКРОВОЛНА»
СТРУКТУРА ПОВЕРХНОСТИ WOODGRAIN**



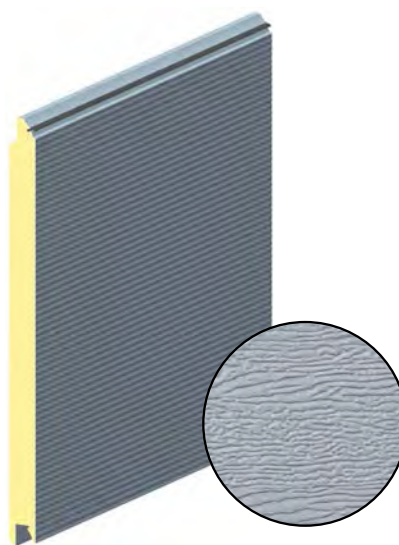
Панель воротная

Наружная сторона: структура поверхности woodgrain с рисунком «микроволна».
Внутренняя сторона: структура поверхности woodgrain с горизонтальными полосами, цвет — бело-серый (близкий RAL9002).

Высота панели, мм 500
Толщина панели, мм 45
Вес, кг/м 5,31
Единица измерения м

Арт.	Код	Цвет*	Длина, м	Норма поставки, м	Розничная цена, евро с НДС
MW1.01-500	401040012	RAL9016	12,2	268,4	48,00
MW1.02-500	401040017	RAL8014	12,2	268,4	
MW1.03-500	401040011	RAL9006	12,2	268,4	
MW1.04-500	401040014	RAL5010	12,2	268,4	
MW1.12-500	401040113	RAL3004	9,2	202,4	
MW1.09-500	401040021	RAL6005	9,2	202,4	
MW1.10-500	401040020	RAL1015	9,2	202,4	
MW1.14-500	401040028	ADS703	9,2	202,4	
MW1.16-500	401040029	RAL7016	9,2	202,4	

* Указанные цвета имеют близкое соответствие шкале RAL.



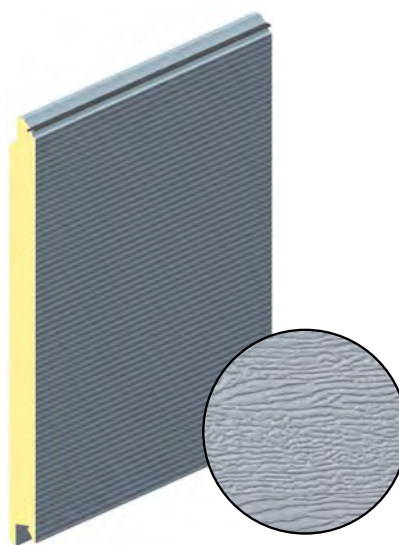
Панель воротная

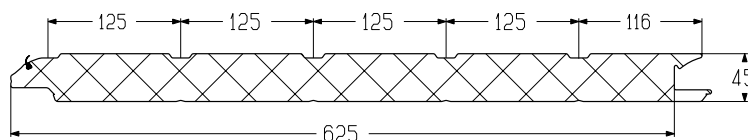
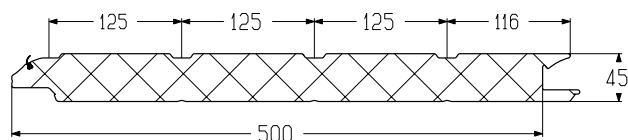
Наружная сторона: структура поверхности woodgrain с рисунком «микроволна».
Внутренняя сторона: структура поверхности woodgrain с горизонтальными полосами, цвет — бело-серый (близкий RAL9002).

Высота панели, мм 625
Толщина панели, мм 45
Вес, кг/м 6,38
Единица измерения м

Арт.	Код	Цвет*	Длина, м	Норма поставки, м	Розничная цена, евро с НДС
MW1.01-625	401090012	RAL9016	12,2	268,4	58,00
MW1.02-625	401090017	RAL8014	12,2	268,4	
MW1.03-625	401090011	RAL9006	12,2	268,4	
MW1.04-625	401090014	RAL5010	12,2	268,4	
MW1.12-625	401090113	RAL3004	9,2	202,4	
MW1.09-625	401000321	RAL6005	9,2	202,4	
MW1.10-625	401000320	RAL1015	9,2	202,4	
MW1.14-625	401090028	ADS703	9,2	202,4	
MW1.16-625	401090229	RAL7016	9,2	202,4	

* Указанные цвета имеют близкое соответствие шкале RAL.



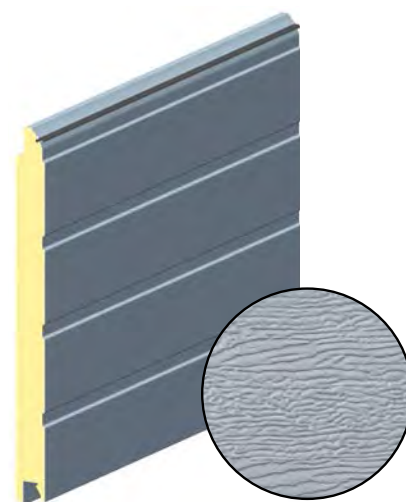
СЭНДВИЧ-ПАНЕЛИ С РИСУНКОМ S-ГОФР
 СТРУКТУРА ПОВЕРХНОСТИ WOODGRAIN

Панель воротная

Наружная сторона: структура поверхности woodgrain с рисунком S-гофр (узкий гофр).
 Внутренняя сторона: структура поверхности woodgrain с горизонтальными полосами,
 цвет — бело-серый (близкий RAL9002).

Высота панели, мм 500
 Толщина панели, мм 45
 Вес, кг/м 5,37
 Единица измерения м

Арт.	Код	Цвет*	Длина, м	Норма поставки, м	Розничная цена, евро с НДС
RS1.01-500	401040112	RAL9016	12,2	268,4	48,00
RS1.02-500	401040117	RAL8014	12,2	268,4	
RS1.03-500	401040111	RAL9006	12,2	268,4	
RS1.04-500	401040114	RAL5010	12,2	268,4	
RS1.12-500	401040213	RAL3004	9,2	202,4	
RS1.09-500	401040121	RAL6005	9,2	202,4	
RS1.10-500	401040120	RAL1015	9,2	202,4	
RS1.14-500	401040128	ADS703	9,2	202,4	
RS1.16-500	401040129	RAL7016	9,2	202,4	

* Указанные цвета имеют близкое соответствие шкале RAL.

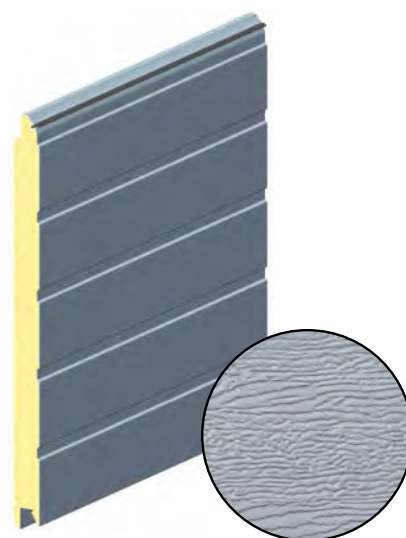

Панель воротная

Наружная сторона: структура поверхности woodgrain с рисунком S-гофр (узкий гофр).
 Внутренняя сторона: структура поверхности woodgrain с горизонтальными полосами,
 цвет — бело-серый (близкий RAL9002).

Высота панели, мм 625
 Толщина панели, мм 45
 Вес, кг/м 6,43
 Единица измерения м

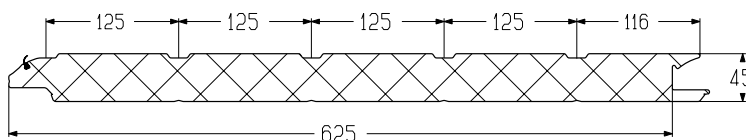
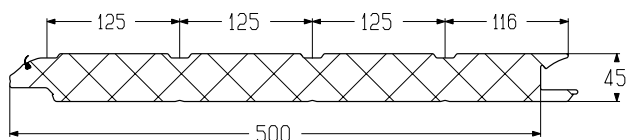
Арт.	Код	Цвет*	Длина, м	Норма поставки, м	Розничная цена, евро с НДС
RS1.01-625	401090112	RAL9016	12,2	268,4	58,00
RS1.02-625	401090117	RAL8014	12,2	268,4	
RS1.03-625	401090111	RAL9006	12,2	268,4	
RS1.04-625	401090114	RAL5010	12,2	268,4	
RS1.12-625	401090213	RAL3004	9,2	202,4	
RS1.09-625	401000421	RAL6005	9,2	202,4	
RS1.10-625	401000420	RAL1015	9,2	202,4	
RS1.14-625	401090128	ADS703	9,2	202,4	
RS1.16-625	401090329	RAL7016	9,2	202,4	

* Указанные цвета имеют близкое соответствие шкале RAL.



СЭНДВИЧ-ПАНЕЛИ ДЛЯ ПОЛОТНА ВОРОТ

СЭНДВИЧ-ПАНЕЛИ С РИСУНКОМ S-ГОФР
СТРУКТУРА ПОВЕРХНОСТИ «ГЛАДКАЯ»

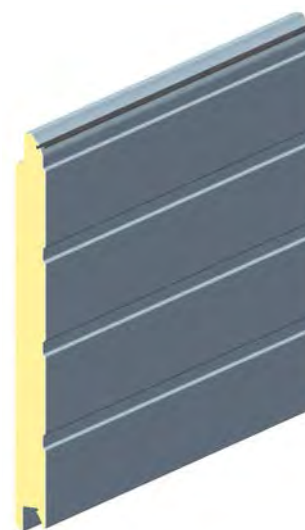


Панель воротная

Наружная сторона: структура поверхности гладкая с рисунком S-гофр (узкий гофр).
Внутренняя сторона: структура поверхности woodgrain с горизонтальными полосами,
цвет — бело-серый (близкий RAL9002).

Высота панели, мм 500
Толщина панели, мм 45
Вес, кг/м 5,5
Единица измерения м

Арт.	Код	Цвет	Длина, м	Норма поставки, м	Розничная цена, евро с НДС
RS0.05-500	401040205	Golden Oak	9,2	202,4	56,00
RS0.06-500	401040206	Dark Oak	9,2	202,4	
RS0.07-500	401040207	Cherry	9,2	202,4	



Панель воротная

Наружная сторона: структура поверхности «гладкая» с рисунком S-гофр (узкий гофр).
Внутренняя сторона: структура поверхности woodgrain с горизонтальными полосами,
цвет — бело-серый (близкий RAL9002).

Высота панели, мм 625
Толщина панели, мм 45
Вес, кг/м 6,57
Единица измерения м

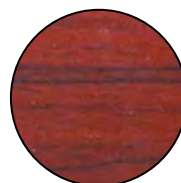
Арт.	Код	Цвет	Длина, м	Норма поставки, м	Розничная цена, евро с НДС
RS0.05-625	401090105	Golden Oak	9,2	202,4	66,00
RS0.06-625	401090106	Dark Oak	9,2	202,4	
RS0.07-625	401090107	Cherry	9,2	202,4	



Golden Oak

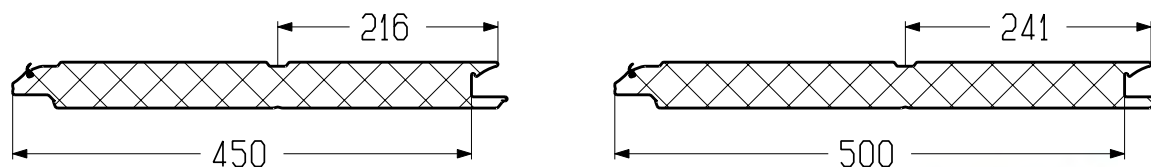


Dark Oak



Cherry

СЭНДВИЧ-ПАНЕЛИ С РИСУНКОМ М-ГОФР
СТРУКТУРА ПОВЕРХНОСТИ WOODGRAIN



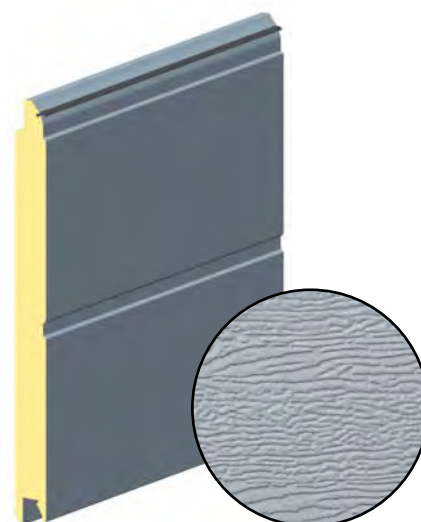
Панель воротная

Наружная сторона: структура поверхности woodgrain с рисунком М-гофр (средний гофр). Внутренняя сторона: структура поверхности woodgrain с горизонтальными полосами, цвет — бело-серый (близкий RAL9002).

Толщина панели, мм45
Единица измеренияМ

Арт.	Код	Цвет*	Высота панели, мм	Вес, кг/м	Длина, м	Норма поставки, м	Розничная цена, евро с НДС
RM1.01-450	401020612	RAL9016	450	4,83	9,2	202,4	46,00
RM1.01-500	401020712	RAL9016	500	5,37	9,2	202,4	48,00
RM1.02-450	401022717	RAL8014	450	4,83	9,2	202,4	46,00
RM1.02-500	401043017	RAL8014	500	5,37	9,2	202,4	48,00

* Указанные цвета имеют близкое соответствие шкале RAL.



СЭНДВИЧ-ПАНЕЛИ С РИСУНКОМ М-ГОФР
СТРУКТУРА ПОВЕРХНОСТИ «ГЛАДКАЯ»

Панель воротная

Наружная сторона: структура поверхности «гладкая» с рисунком М-гофр (средний гофр). Внутренняя сторона: структура поверхности woodgrain с горизонтальными полосами, цвет — бело-серый (близкий RAL9002).

Толщина панели, мм45
Единица измеренияМ

Арт.	Код	Цвет*	Высота панели, мм	Вес, кг/м	Длина, м	Норма поставки, м	Розничная цена, евро с НДС
RM0.05-450	401020105	Golden Oak	450	4,96	9,2	202,4	53,00
RM0.05-500	401020205	Golden Oak	500	5,50	9,2	202,4	56,00
RM0.06-450	401022906	Dark Oak	450	4,96	9,2	202,4	53,00
RM0.06-500	401043106	Dark Oak	500	5,50	9,2	202,4	56,00
RM0.07-450	401020107	Cherry	450	4,96	9,2	202,4	53,00
RM0.07-500	401040307	Cherry	500	5,50	9,2	202,4	56,00
RM0.01-450	401021812	RAL9016	450	4,96	9,2	202,4	46,00
RM0.01-500	401043112	RAL9016	500	5,50	9,2	202,4	48,00
RM0.16-450	401020429	RAL7016	450	4,96	9,2	202,4	46,00
RM0.16-500	401040729	RAL7016	500	5,50	9,2	202,4	48,00

* Указанные цвета имеют близкое соответствие шкале RAL.



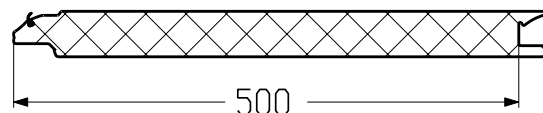
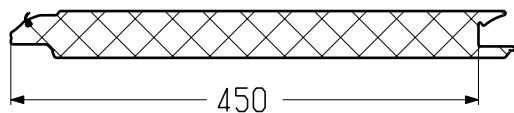
Golden Oak

Dark Oak

Cherry

СЭНДВИЧ-ПАНЕЛИ ДЛЯ ПОЛОТНА ВОРОТ

СЭНДВИЧ-ПАНЕЛИ С РИСУНКОМ L-ГОФР
СТРУКТУРА ПОВЕРХНОСТИ WOODGRAIN



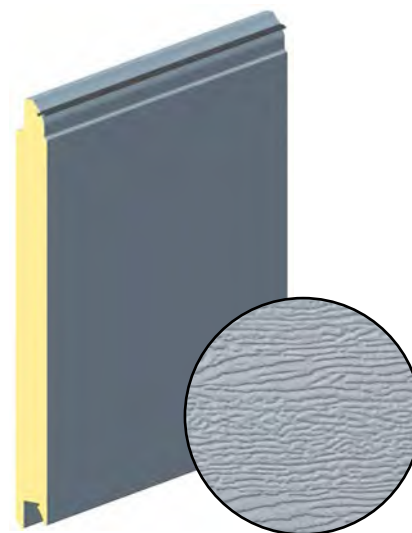
Панель воротная

Наружная сторона: структура поверхности woodgrain с рисунком L-гофр (широкий гофр). Внутренняя сторона: структура поверхности woodgrain с горизонтальными полосами, цвет — бело-серый (близкий RAL9002).

Толщина панели, мм45
Единица измеренияМ

Арт.	Код	Цвет*	Высота панели, мм	Вес, кг/м	Длина, м	Норма поставки, м	Розничная цена, евро с НДС
RL1.01-450	401040912	RAL9016	450	4,78	9,2	202,4	46,00
RL1.01-500	401041012	RAL9016	500	5,31	9,2	202,4	48,00
RL1.02-450	401022817	RAL8014	450	4,78	9,2	202,4	46,00
RL1.02-500	401043117	RAL8014	500	5,31	9,2	202,4	48,00

* Указанные цвета имеют близкое соответствие шкале RAL.



СЭНДВИЧ-ПАНЕЛИ С РИСУНКОМ L-ГОФР
СТРУКТУРА ПОВЕРХНОСТИ «ГЛАДКАЯ»

Панель воротная

Наружная сторона: структура поверхности «гладкая» с рисунком L-гофр (широкий гофр). Внутренняя сторона: структура поверхности woodgrain с горизонтальными полосами, цвет — бело-серый (близкий RAL9002).

Толщина панели, мм45
Единица измеренияМ

Арт.	Код	Цвет*	Высота панели, мм	Вес, кг/м	Длина, м	Норма поставки, м	Розничная цена, евро с НДС
RL0.05-450	401042105	Golden Oak	450	4,90	9,2	202,4	53,00
RL0.05-500	401042205	Golden Oak	500	5,44	9,2	202,4	56,00
RL0.14-450	401020028	ADS703	450	4,90	9,2	202,4	46,00
RL0.14-500	401040428	ADS703	500	5,44	9,2	202,4	48,00
RL0.06-450	401023006	Dark Oak	450	4,90	9,2	202,4	53,00
RL0.06-500	401043206	Dark Oak	500	5,44	9,2	202,4	56,00
RL0.07-450	401020207	Cherry	450	4,90	9,2	202,4	53,00
RL0.07-500	401040407	Cherry	500	5,44	9,2	202,4	56,00
RL0.01-450	401021912	RAL9016	450	4,90	9,2	202,4	46,00
RL0.01-500	401043212	RAL9016	500	5,44	9,2	202,4	48,00
RL0.16-450	401020529	RAL7016	450	4,90	9,2	202,4	46,00
RL0.16-500	401040829	RAL7016	500	5,44	9,2	202,4	48,00

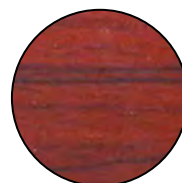
* Указанные цвета имеют близкое соответствие шкале RAL.



Golden Oak



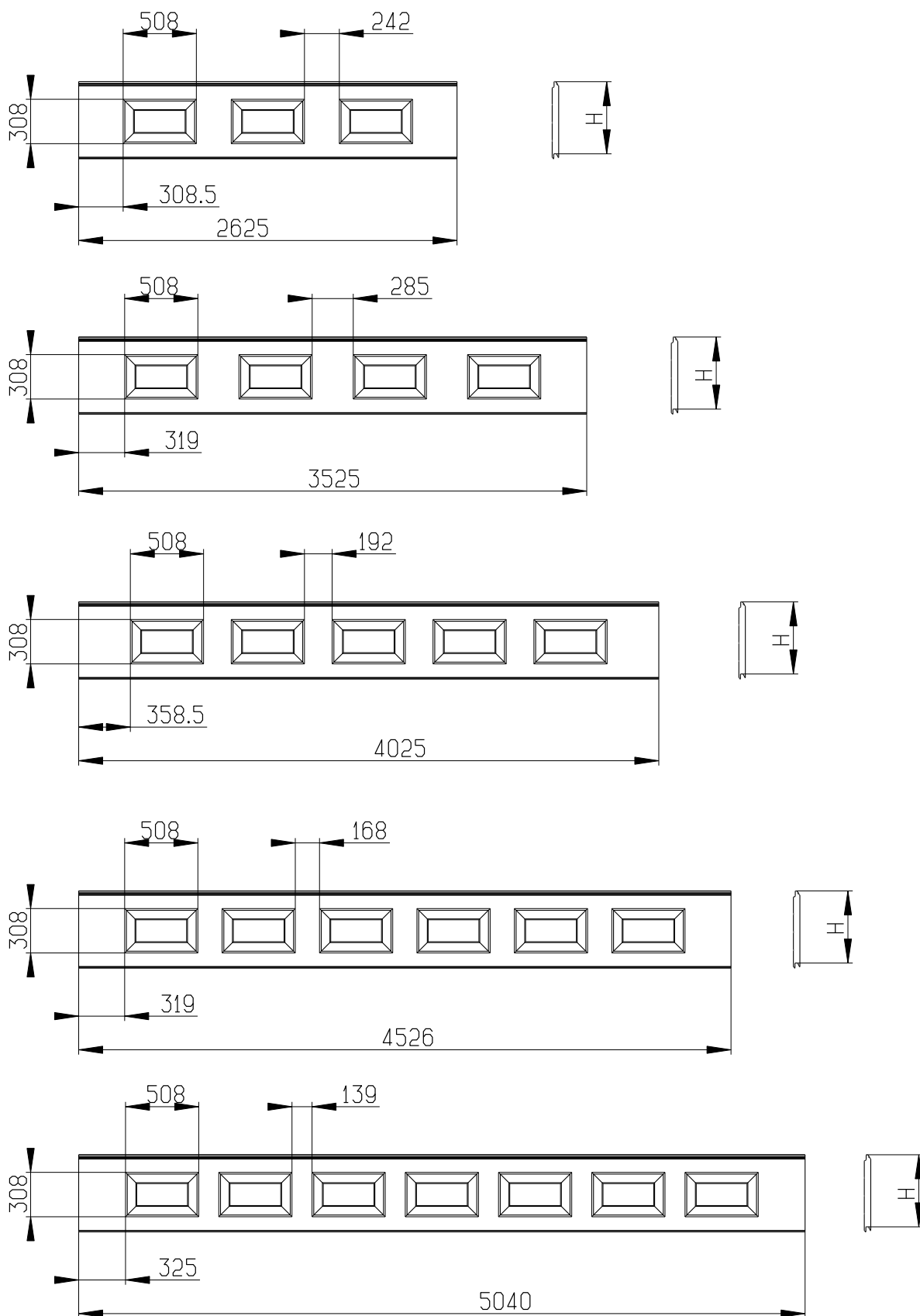
Dark Oak



Cherry



СХЕМАТИЧЕСКОЕ ИЗОБРАЖЕНИЕ СЭНДВИЧ-ПАНЕЛИ С РИСУНКОМ «ФИЛЕНКА»



3.1

СЭНДВИЧ-ПАНЕЛИ ДЛЯ ПОЛОТНА ВОРОТ

СЭНДВИЧ-ПАНЕЛИ С РИСУНКОМ «ФИЛЕНКА»
СТРУКТУРА ПОВЕРХНОСТИ WOODGRAIN

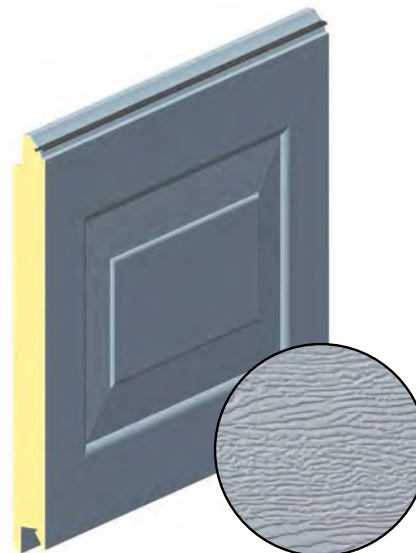
Панель воротная

Наружная сторона: структура поверхности woodgrain с рисунком «филенка».
Внутренняя сторона: структура поверхности woodgrain с горизонтальными полосами,
цвет — бело-серый (близкий RAL9002).

Высота панели, мм 425
Толщина панели, мм 45
Вес, кг/м 4,68
Единица измерения М

Арт.	Код	Цвет*	Длина, м	Норма поставки, м	Розничная цена, евро с НДС
СТ1.01-425-3025	401010712	RAL9016	3,025	66,55	47,00
СТ1.01-425-3525	401010812	RAL9016	3,525	77,55	
СТ1.01-425-4025	401010012	RAL9016	4,025	88,55	
СТ1.01-425-4526	401010112	RAL9016	4,525	99,55	
СТ1.01-425-5040	401010212	RAL9016	5,040	110,88	
СТ1.01-425-7895	401010312	RAL9016	7,895	173,69	
СТ1.02-425-3025	401011317	RAL8014	3,025	66,55	
СТ1.02-425-3525	401011417	RAL8014	3,525	77,55	
СТ1.02-425-4025	401010617	RAL8014	4,025	88,55	
СТ1.02-425-4526	401010717	RAL8014	4,526	99,55	
СТ1.02-425-5040	401010817	RAL8014	5,040	110,88	
СТ1.02-425-7895	401010917	RAL8014	7,895	173,69	

* Указанные цвета имеют близкое соответствие шкале RAL.



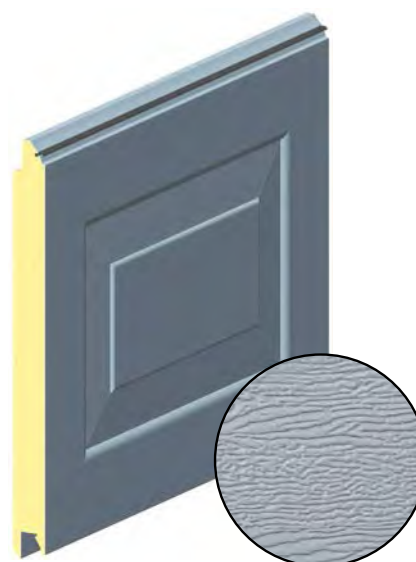
Панель воротная

Наружная сторона: структура поверхности woodgrain с рисунком «филенка».
Внутренняя сторона: структура поверхности woodgrain с горизонтальными полосами,
цвет — бело-серый (близкий RAL9002).

Высота панели, мм 450
Толщина панели, мм 45
Вес, кг/м 4,89
Единица измерения М

Арт.	Код	Цвет*	Длина, м	Норма поставки, м	Розничная цена, евро с НДС
СТ1.01-450-3025	401021112	RAL9016	3,025	66,55	47,00
СТ1.01-450-3525	401021212	RAL9016	3,525	77,55	
СТ1.01-450-4025	401020012	RAL9016	4,025	88,55	
СТ1.01-450-4526	401020112	RAL9016	4,525	99,55	
СТ1.01-450-5040	401020212	RAL9016	5,040	110,88	
СТ1.01-450-7895	401020312	RAL9016	7,895	173,69	
СТ1.02-450-3025	401021417	RAL8014	3,025	66,55	
СТ1.02-450-3525	401021517	RAL8014	3,525	77,55	
СТ1.02-450-4025	401020617	RAL8014	4,025	88,55	
СТ1.02-450-4526	401020717	RAL8014	4,526	99,55	
СТ1.02-450-5040	401020817	RAL8014	5,040	110,88	
СТ1.02-450-7895	401020917	RAL8014	7,895	173,69	

* Указанные цвета имеют близкое соответствие шкале RAL.



СЭНДВИЧ-ПАНЕЛИ С РИСУНКОМ «ФИЛЕНКА»
 СТРУКТУРА ПОВЕРХНОСТИ WOODGRAIN

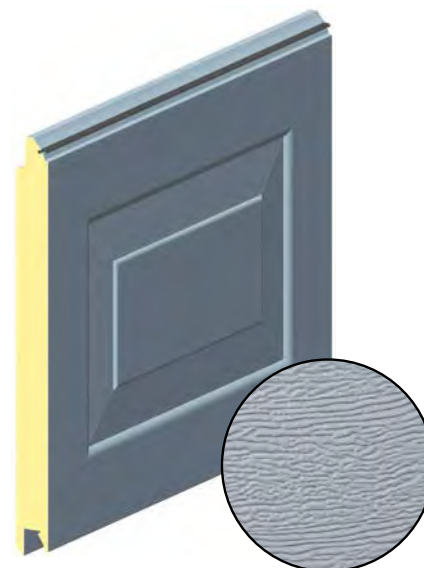
Панель воротная

Наружная сторона: структура поверхности woodgrain с рисунком «филенка».
 Внутренняя сторона: структура поверхности woodgrain с горизонтальными полосами,
 цвет — бело-серый (близкий RAL9002).

Высота панели, мм475
 Толщина панели, мм45
 Вес, кг/м5,1
 Единица измерения М

Арт.	Код	Цвет*	Длина, м	Норма поставки, м	Розничная цена, евро с НДС
СТ1.01-475-3025	401030712	RAL9016	3,025	66,55	49,00
СТ1.01-475-3525	401030812	RAL9016	3,525	77,55	
СТ1.01-475-4025	401030012	RAL9016	4,025	88,55	
СТ1.01-475-4526	401030112	RAL9016	4,525	99,55	
СТ1.01-475-5040	401030212	RAL9016	5,040	110,88	
СТ1.01-475-7895	401030312	RAL9016	7,895	173,69	
СТ1.02-475-3025	401031417	RAL8014	3,025	66,55	
СТ1.02-475-3525	401031517	RAL8014	3,525	77,55	
СТ1.02-475-4025	401030617	RAL8014	4,025	88,55	
СТ1.02-475-4526	401030717	RAL8014	4,526	99,55	
СТ1.02-475-5040	401030817	RAL8014	5,040	110,88	
СТ1.02-475-7895	401030917	RAL8014	7,895	173,69	

* Указанные цвета имеют близкое соответствие шкале RAL.



3.1

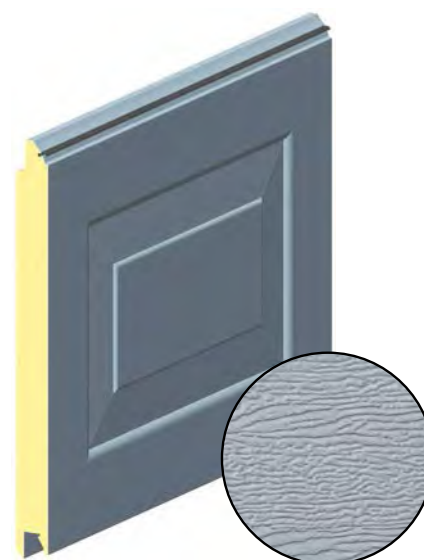
Панель воротная

Наружная сторона: структура поверхности woodgrain с рисунком «филенка».
 Внутренняя сторона: структура поверхности woodgrain с горизонтальными полосами,
 цвет — бело-серый (близкий RAL9002).

Высота панели, мм500
 Толщина панели, мм45
 Вес, кг/м5,31
 Единица измерения М

Арт.	Код	Цвет*	Длина, м	Норма поставки, м	Розничная цена, евро с НДС
СТ1.01-500-3025	401041412	RAL9016	3,025	66,55	50,00
СТ1.01-500-3525	401041512	RAL9016	3,525	77,55	
СТ1.01-500-4025	401040312	RAL9016	4,025	88,55	
СТ1.01-500-4526	401040412	RAL9016	4,525	99,55	
СТ1.01-500-5040	401040512	RAL9016	5,040	110,88	
СТ1.01-500-7895	401040612	RAL9016	7,895	173,69	
СТ1.02-500-3025	401041917	RAL8014	3,025	66,55	
СТ1.02-500-3525	401042017	RAL8014	3,525	77,55	
СТ1.02-500-4025	401040917	RAL8014	4,025	88,55	
СТ1.02-500-4526	401041017	RAL8014	4,526	99,55	
СТ1.02-500-5040	401041117	RAL8014	5,040	110,88	
СТ1.02-500-7895	401041217	RAL8014	7,895	173,69	

* Указанные цвета имеют близкое соответствие шкале RAL.



СЭНДВИЧ-ПАНЕЛИ ДЛЯ ПОЛОТНА ВОРОТ

СЭНДВИЧ-ПАНЕЛИ С РИСУНКОМ «ФИЛЕНКА»
СТРУКТУРА ПОВЕРХНОСТИ WOODGRAIN

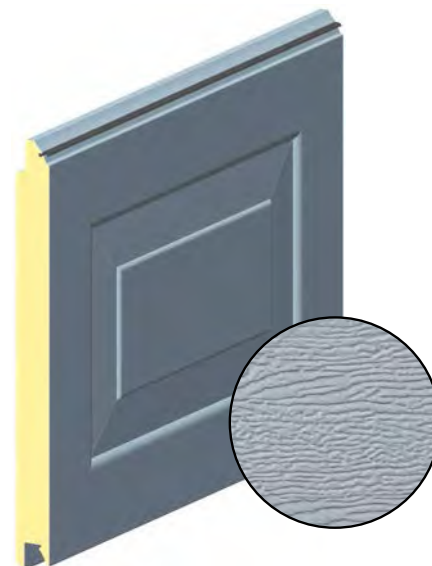
Панель воротная

Наружная сторона: структура поверхности woodgrain с рисунком «филенка».
Внутренняя сторона: структура поверхности woodgrain с горизонтальными полосами,
цвет — бело-серый (близкий RAL9002).

Высота панели, мм 525
Толщина панели, мм 45
Вес, кг/м 5,53
Единица измерения м

Арт.	Код	Цвет*	Длина, м	Норма поставки, м	Розничная цена, евро с НДС
СТ1.01-525-3025	401050712	RAL9016	3,025	66,55	53,00
СТ1.01-525-3525	401050812	RAL9016	3,525	77,55	
СТ1.01-525-4025	401050012	RAL9016	4,025	88,55	
СТ1.01-525-4526	401050112	RAL9016	4,525	99,55	
СТ1.01-525-5040	401050212	RAL9016	5,040	110,88	
СТ1.01-525-7895	401050312	RAL9016	7,895	173,69	
СТ1.02-525-3025	401051317	RAL8014	3,025	66,55	
СТ1.02-525-3525	401051417	RAL8014	3,525	77,55	
СТ1.02-525-4025	401050617	RAL8014	4,025	88,55	
СТ1.02-525-4526	401050717	RAL8014	4,526	99,55	
СТ1.02-525-5040	401050817	RAL8014	5,040	110,88	
СТ1.02-525-7895	401050917	RAL8014	7,895	173,69	

* Указанные цвета имеют близкое соответствие шкале RAL.



СЭНДВИЧ-ПАНЕЛИ С РИСУНКОМ «ФИЛЕНКА»
 СТРУКТУРА ПОВЕРХНОСТИ WOODGRAIN

Панель воротная

Наружная сторона: структура поверхности woodgrain с рисунком «филенка».
 Внутренняя сторона: структура поверхности woodgrain с горизонтальными полосами,
 цвет — бело-серый (близкий RAL9002).

Высота панели, мм425
 Толщина панели, мм 45
 Вес, кг/м4,79
 Единица измерения М

Арт.	Код	Цвет*	Длина, м	Норма поставки, м	Розничная цена, евро с НДС
СТ0.05-425-3025	401011905	Golden Oak	3,025	66,55	54,00
СТ0.05-425-3525	401012005	Golden Oak	3,525	77,55	
СТ0.05-425-4025	401011205	Golden Oak	4,025	88,55	
СТ0.05-425-4526	401011305	Golden Oak	4,525	99,55	
СТ0.05-425-5040	401011405	Golden Oak	5,040	110,88	
СТ0.05-425-7895	401011505	Golden Oak	7,895	173,69	
СТ0.06-425-3025	401012506	Dark Oak	3,025	66,55	
СТ0.06-425-3525	401012606	Dark Oak	3,525	77,55	
СТ0.06-425-4025	401011806	Dark Oak	4,025	88,55	
СТ0.06-425-4526	401011906	Dark Oak	4,526	99,55	
СТ0.06-425-5040	401012006	Dark Oak	5,040	110,88	
СТ0.06-425-7895	401012106	Dark Oak	7,895	173,69	



3.1

Панель воротная

Наружная сторона: структура поверхности woodgrain с рисунком «филенка».
 Внутренняя сторона: структура поверхности woodgrain с горизонтальными полосами,
 цвет — бело-серый (близкий RAL9002).

Высота панели, мм450
 Толщина панели, мм 45
 Вес, кг/м5,01
 Единица измерения М

Арт.	Код	Цвет*	Длина, м	Норма поставки, м	Розничная цена, евро с НДС
СТ0.05-450-3025	401022605	Golden Oak	3,025	66,55	54,00
СТ0.05-450-3525	401022705	Golden Oak	3,525	77,55	
СТ0.05-450-4025	401021205	Golden Oak	4,025	88,55	
СТ0.05-450-4526	401021305	Golden Oak	4,525	99,55	
СТ0.05-450-5040	401021405	Golden Oak	5,040	110,88	
СТ0.05-450-7895	401021505	Golden Oak	7,895	173,69	
СТ0.06-450-3025	401022706	Dark Oak	3,025	66,55	
СТ0.06-450-3525	401022806	Dark Oak	3,525	77,55	
СТ0.06-450-4025	401021806	Dark Oak	4,025	88,55	
СТ0.06-450-4526	401021906	Dark Oak	4,526	99,55	
СТ0.06-450-5040	401022006	Dark Oak	5,040	110,88	
СТ0.06-450-7895	401022106	Dark Oak	7,895	173,69	



Golden Oak



Dark Oak

СЭНДВИЧ-ПАНЕЛИ ДЛЯ ПОЛОТНА ВОРОТ

СЭНДВИЧ-ПАНЕЛИ С РИСУНКОМ «ФИЛЕНКА»
СТРУКТУРА ПОВЕРХНОСТИ WOODGRAIN

Панель воротная

Наружная сторона: структура поверхности woodgrain с рисунком «филенка».
Внутренняя сторона: структура поверхности woodgrain с горизонтальными полосами,
цвет — бело-серый (близкий RAL9002).

Высота панели, мм475
Толщина панели, мм 45
Вес, кг/м5,22
Единица измерения М

Арт.	Код	Цвет*	Длина, м	Норма поставки, м	Розничная цена, евро с НДС
СТ0.05-475-3025	401031905	Golden Oak	3,025	66,55	56,00
СТ0.05-475-3525	401032005	Golden Oak	3,525	77,55	
СТ0.05-475-4025	401031205	Golden Oak	4,025	88,55	
СТ0.05-475-4526	401031305	Golden Oak	4,525	99,55	
СТ0.05-475-5040	401031405	Golden Oak	5,040	110,88	
СТ0.05-475-7895	401031505	Golden Oak	7,895	173,69	
СТ0.06-475-3025	401032506	Dark Oak	3,025	66,55	
СТ0.06-475-3525	401032606	Dark Oak	3,525	77,55	
СТ0.06-475-4025	401031806	Dark Oak	4,025	88,55	
СТ0.06-475-4526	401031906	Dark Oak	4,526	99,55	
СТ0.06-475-5040	401032006	Dark Oak	5,040	110,88	
СТ0.06-475-7895	401032106	Dark Oak	7,895	173,69	



Панель воротная

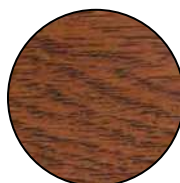
Наружная сторона: структура поверхности woodgrain с рисунком «филенка».
Внутренняя сторона: структура поверхности woodgrain с горизонтальными полосами,
цвет — бело-серый (близкий RAL9002).

Высота панели, мм500
Толщина панели, мм 45
Вес, кг/м5,43
Единица измерения М

Арт.	Код	Цвет*	Длина, м	Норма поставки, м	Розничная цена, евро с НДС
СТ0.05-500-3025	401042605	Golden Oak	3,025	66,55	58,00
СТ0.05-500-3525	401042705	Golden Oak	3,525	77,55	
СТ0.05-500-4025	401041505	Golden Oak	4,025	88,55	
СТ0.05-500-4526	401041605	Golden Oak	4,525	99,55	
СТ0.05-500-5040	401041705	Golden Oak	5,040	110,88	
СТ0.05-500-7895	401041805	Golden Oak	7,895	173,69	
СТ0.06-500-3025	401042806	Dark Oak	3,025	66,55	
СТ0.06-500-3525	401042906	Dark Oak	3,525	77,55	
СТ0.06-500-4025	401042106	Dark Oak	4,025	88,55	
СТ0.06-500-4526	401042206	Dark Oak	4,526	99,55	
СТ0.06-500-5040	401042306	Dark Oak	5,040	110,88	
СТ0.06-500-7895	401042406	Dark Oak	7,895	173,69	



Golden Oak



Dark Oak

СЭНДВИЧ-ПАНЕЛИ С РИСУНКОМ «ФИЛЕНКА»
 СТРУКТУРА ПОВЕРХНОСТИ WOODGRAIN

Панель воротная

Наружная сторона: структура поверхности woodgrain с рисунком «филенка».
 Внутренняя сторона: структура поверхности woodgrain с горизонтальными полосами,
 цвет — бело-серый (близкий RAL9002).

Высота панели, мм 525
 Толщина панели, мм 45
 Вес, кг/м 5,65
 Единица измерения м

Арт.	Код	Цвет*	Длина, м	Норма поставки, м	Розничная цена, евро с НДС
СТ0.05-525-3025	401051905	Golden Oak	3,025	66,55	61,00
СТ0.05-525-3525	401052005	Golden Oak	3,525	77,55	
СТ0.05-525-4025	401051205	Golden Oak	4,025	88,55	
СТ0.05-525-4526	401051305	Golden Oak	4,525	99,55	
СТ0.05-525-5040	401051405	Golden Oak	5,040	110,88	
СТ0.05-525-7895	401051505	Golden Oak	7,895	173,69	
СТ0.06-525-3025	401052506	Dark Oak	3,025	66,55	
СТ0.06-525-3525	401052606	Dark Oak	3,525	77,55	
СТ0.06-525-4025	401051806	Dark Oak	4,025	88,55	
СТ0.06-525-4526	401051906	Dark Oak	4,526	99,55	
СТ0.06-525-5040	401052006	Dark Oak	5,040	110,88	
СТ0.06-525-7895	401052106	Dark Oak	7,895	173,69	



Golden Oak



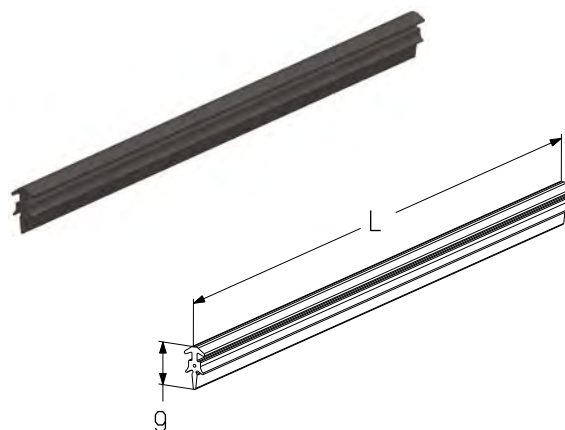
Dark Oak

Вставка уплотнительная

Предназначена для установки совместно с сэндвич-панелями всех типов.

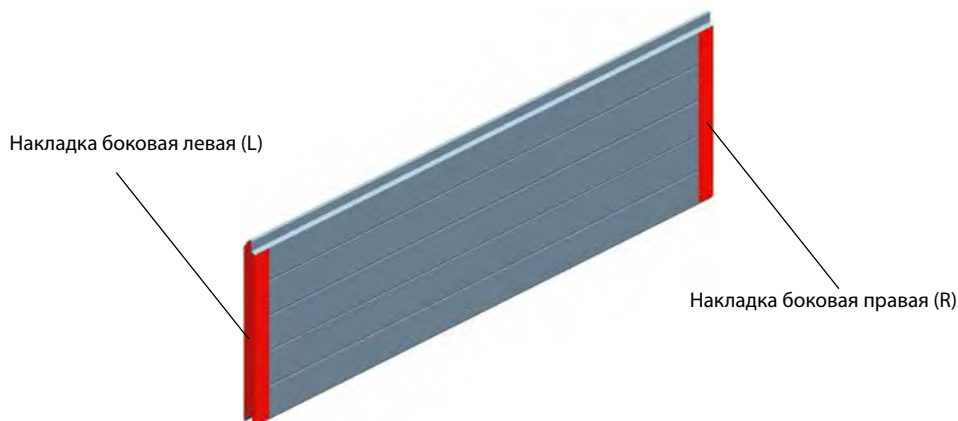
Материал EPDM
 Вес, кг/м 0,13
 Единица измерения м
 Норма поставки, м 2000

Арт.	Код	Розничная цена, евро с НДС
RSP16	401530600	1,00



НАКЛАДКИ БОКОВЫЕ

УСТАНОВКА НАКЛАДОК БОКОВЫХ



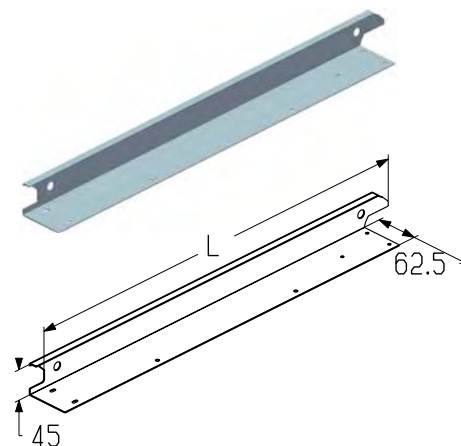
3.1

Накладка боковая

Предназначена для установки на торцы сэндвич-панели.
Используются в гаражных и промышленных воротах шириной до 5000 мм.

Материал.....оцинкованная сталь
 Покрытие.....полимерное
 Цвет.....бело-серый (близкий RAL9002)
 Толщина, мм.....1
 Единица измерения шт.

Арт.	Код	Длина (L), мм	Вес, кг/шт.	Норма поставки, шт.	Розничная цена, евро с НДС
ЕС-425L	401310110	425	0,37	64	2,70
ЕС-425R	401310210	425	0,37	64	2,70
ЕС-450L	401320110	450	0,38	64	2,80
ЕС-450R	401320210	450	0,38	64	2,80
ЕС-475L	401330110	475	0,43	64	2,90
ЕС-475R	401330210	475	0,43	64	2,90
ЕС-500L	401340110	500	0,43	64	3,20
ЕС-500R	401340210	500	0,43	64	3,20
ЕС-525L	401350110	525	0,46	64	3,40
ЕС-525R	401350210	525	0,46	64	3,40
ЕС-625L	401390110	625	0,55	52	4,00
ЕС-625R	401390210	625	0,55	52	4,00

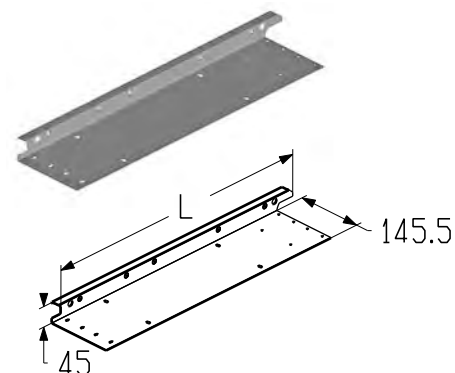


Накладка боковая

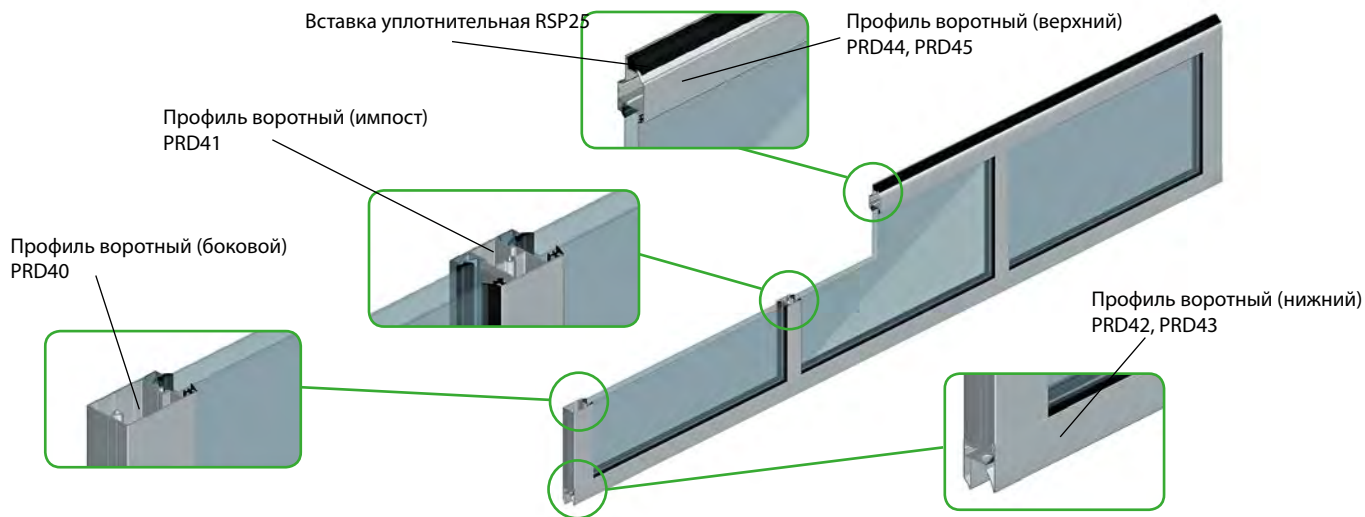
Предназначена для установки на торцы сэндвич-панели.
Используются в гаражных и промышленных воротах шириной свыше 5000 мм.

Материал.....оцинкованная сталь
 Покрытие.....полимерное
 Цвет.....бело-серый (близкий RAL9002)
 Толщина, мм.....1
 Единица измерения шт.

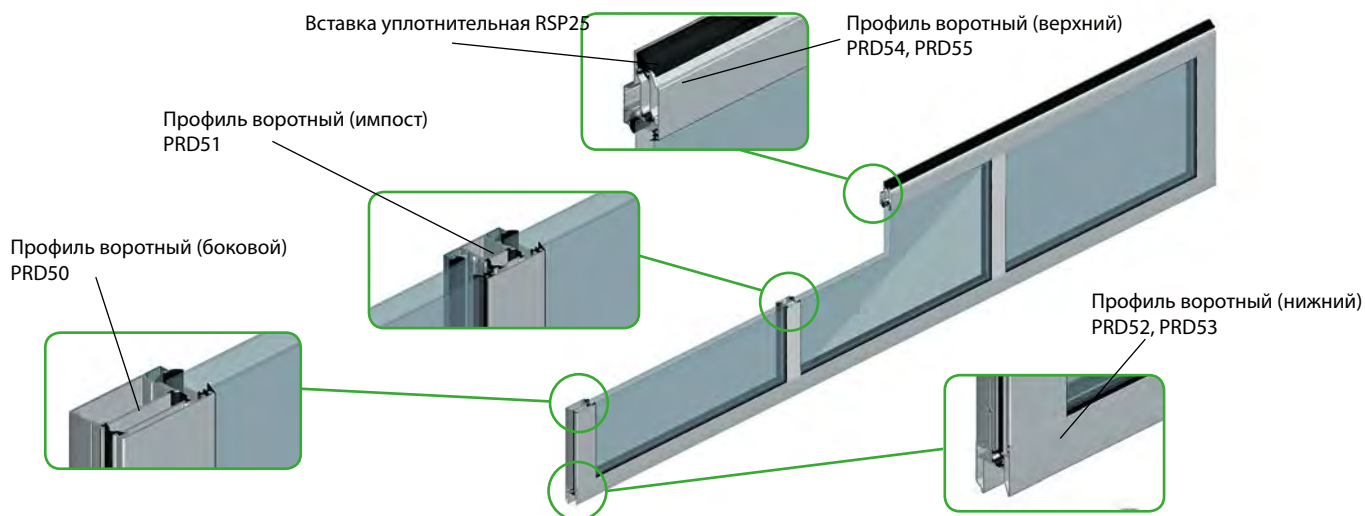
Арт.	Код	Длина (L), мм	Вес, кг/шт.	Норма поставки, шт.	Розничная цена, евро с НДС
ЕС-12.450L	401320310	450	0,66	36	5,40
ЕС-12.450R	401320410	450	0,66	36	5,40
ЕС-12.500L	401340610	500	0,76	36	5,60
ЕС-12.500R	401340510	500	0,76	36	5,60
ЕС-12.625L	401390610	625	0,92	24	6,80
ЕС-12.625R	401390510	625	0,92	24	6,80



**ТИПОВАЯ КОНСТРУКЦИЯ
ПАНОРАМНОЙ ПАНЕЛИ
ALUPRO**



**ТИПОВАЯ КОНСТРУКЦИЯ
ПАНОРАМНОЙ ПАНЕЛИ
ALUTHERM**



АЛЮМИНИЕВЫЕ ПРОФИЛИ ДЛЯ ПАНОРАМНЫХ ПАНЕЛЕЙ

ТИПЫ ПАНОРАМНЫХ ПАНЕЛЕЙ И ВАРИАНТЫ ЗАПОЛНЕНИЯ

ПАНОРАМНАЯ ПАНЕЛЬ ALUPRO



Двойное остекление
26 мм



Одинарное остекление
3 мм



Композитное заполнение
26 мм



Композитное заполнение
3 мм

ПАНОРАМНАЯ ПАНЕЛЬ ALUTHERM



Тройное заполнение
25 мм



Двойное заполнение
26 мм



Композитное заполнение
26 мм

3.1

АЛЮМИНИЕВЫЕ ПРОФИЛИ ДЛЯ ПАНОРАМНЫХ ПАНЕЛЕЙ

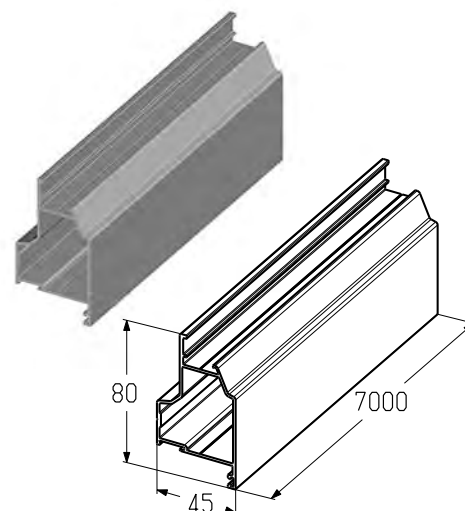
Профиль воротный (верхний)

Используется для изготовления панорамных панелей AluPro.
Применяется совместно с сэндвич-панелью с рисунком «Микроволна».

Материал.....алюминий
Длина, мм.....7000
Вес, кг/м.....0,95
Единица измерения м
Норма поставки, м.....28

Арт.	Код	Цвет*	Розничная цена, евро с НДС
PRD44	401130811	RAL9006	17,00
	401130812	RAL9016	
	401130817	RAL8014	
	401130814	RAL5010	

* Указанные цвета имеют близкое соответствие шкале RAL.



3.1

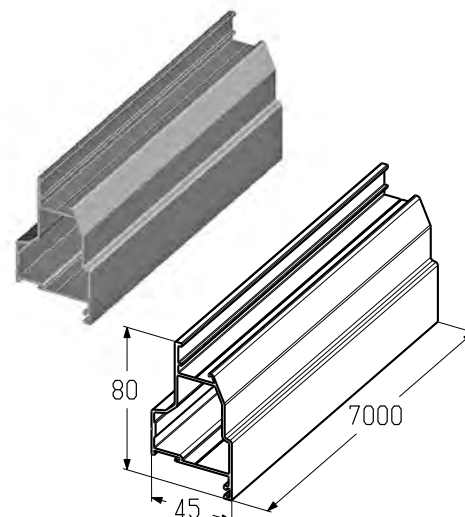
Профиль воротный (верхний)

Используется для изготовления панорамных панелей AluPro.
Применяется совместно с сэндвич-панелью с рисунком «S-гофр».

Материал.....алюминий
Длина, мм.....7000
Вес, кг/м.....0,95
Единица измерения м
Норма поставки, м.....28

Арт.	Код	Цвет*	Розничная цена, евро с НДС
PRD45	401130911	RAL9006	17,00
	401130912	RAL9016	
	401130917	RAL8014	
	401130914	RAL5010	

* Указанные цвета имеют близкое соответствие шкале RAL.



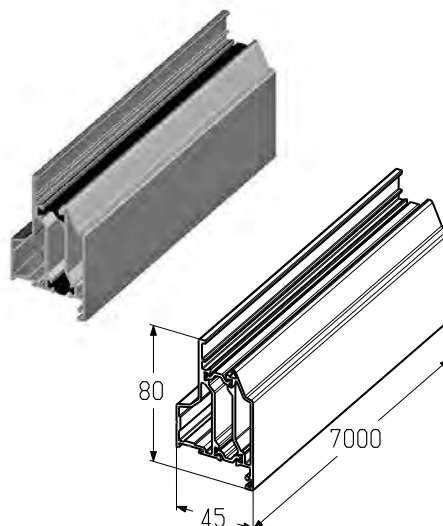
Профиль воротный (верхний с термическим разделением)

Используется для изготовления панорамных панелей AluTherm.
Применяется совместно с сэндвич-панелью с рисунком «Микроволна».

Материал.....алюминий
Длина, мм.....7000
Вес, кг/м.....1,46
Единица измерения м
Норма поставки, м.....28

Арт.	Код	Цвет*	Розничная цена, евро с НДС
PRD54	401130811	RAL9006	34,00
	401130812	RAL9016	
	401130817	RAL8014	
	401130814	RAL5010	

* Указанные цвета имеют близкое соответствие шкале RAL.



АЛЮМИНИЕВЫЕ ПРОФИЛИ ДЛЯ ПАНОРАМНЫХ ПАНЕЛЕЙ

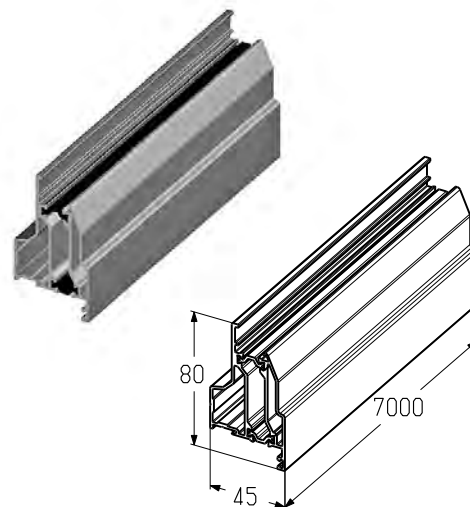
Профиль воротный (верхний с термическим разделением)

Используется для изготовления панорамных панелей AluTherm.
Применяется совместно с сэндвич-панелью с рисунком «S-гофр».

Материал.....алюминий
Длина, мм.....7000
Вес, кг/м.....1,46
Единица измерения.....м
Норма поставки, м.....28

Арт.	Код	Цвет*	Розничная цена, евро с НДС
PRD55	401130911	RAL9006	33,00
	401130912	RAL9016	
	401130917	RAL8014	
	401130914	RAL5010	

* Указанные цвета имеют близкое соответствие шкале RAL.



Профиль воротный (нижний)

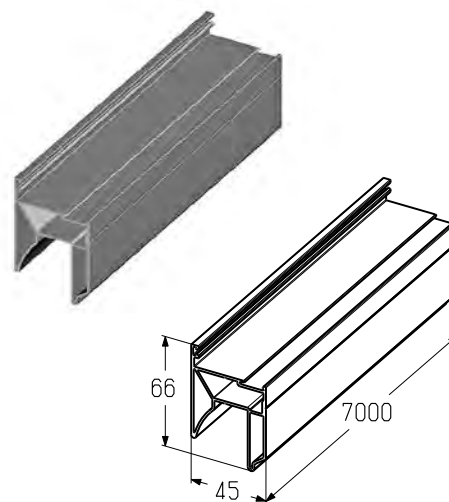
Используется для изготовления панорамных панелей AluPro.
Применяется в панорамных воротах:

- шириной до 4000 мм;
- шириной от 5005 мм с установкой профиля усиливающего (PRG20).

Материал.....алюминий
Длина, мм.....7000
Вес, кг/м.....1,09
Единица измерения.....м
Норма поставки, м.....28

Арт.	Код	Цвет*	Розничная цена, евро с НДС
PRD42	401110211	RAL9006	20,00
	401110212	RAL9016	
	401110217	RAL8014	
	401110214	RAL5010	

* Указанные цвета имеют близкое соответствие шкале RAL.



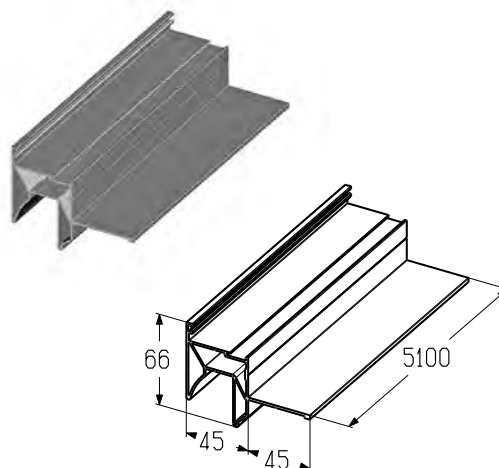
Профиль воротный (нижний)

Используется для изготовления панорамных панелей AluPro.
Применяется в панорамных воротах шириной от 4005 до 5000 мм.

Материал.....алюминий
Длина, мм.....5100
Вес, кг/м.....1,36
Единица измерения.....м
Норма поставки, м.....20,24

Арт.	Код	Цвет*	Розничная цена, евро с НДС
PRD43	401110311	RAL9006	25,00
	401110312	RAL9016	
	401110317	RAL8014	
	401110314	RAL5010	

* Указанные цвета имеют близкое соответствие шкале RAL.



АЛЮМИНИЕВЫЕ ПРОФИЛИ ДЛЯ ПАНОРАМНЫХ ПАНЕЛЕЙ

**Профиль воротный
(нижний с термическим разделением)**

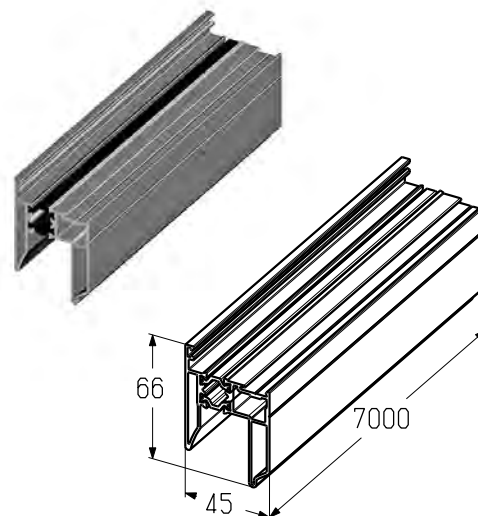
Используется для изготовления панорамных панелей AluTherm.

- шириной до 4000 мм;
- шириной от 5005 мм с установкой профиля усиливающего (PRG20).

Материалалюминий
 Длина, мм7000
 Вес, кг/м1,30
 Единица измерениям
 Норма поставки, м28

Арт.	Код	Цвет*	Розничная цена, евро с НДС
PRD52	401110511	RAL9006	31,00
	401110512	RAL9016	
	401110517	RAL8014	
	401110514	RAL5010	

* Указанные цвета имеют близкое соответствие шкале RAL.



3.1

Профиль воротный (нижний с термическим разделением)

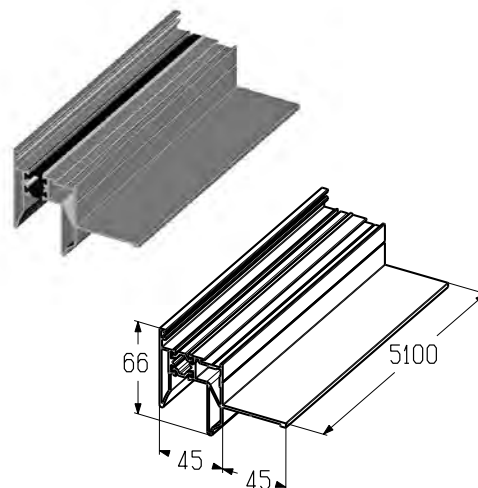
Используется для изготовления панорамных панелей AluTherm.

Применяется в панорамных воротах шириной от 4005 до 5000 мм.

Материалалюминий
 Длина, мм5100
 Вес, кг/м1,57
 Единица измерениям
 Норма поставки, м14

Арт.	Код	Цвет*	Розничная цена, евро с НДС
PRD53	401110611	RAL9006	37,00
	401110612	RAL9016	
	401110617	RAL8014	
	401110614	RAL5010	

* Указанные цвета имеют близкое соответствие шкале RAL.



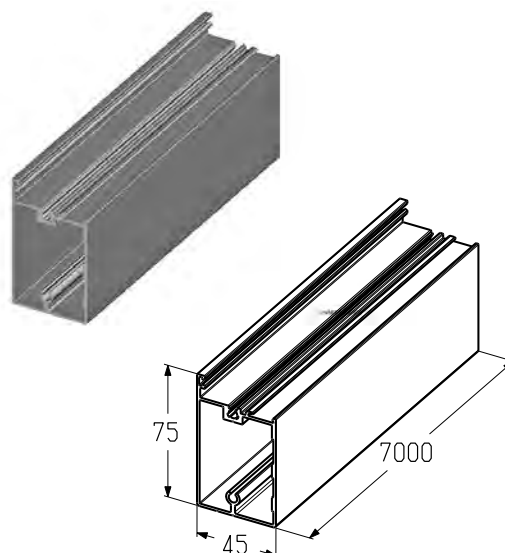
Профиль воротный (боковой)

Используется для изготовления панорамных панелей AluPro.

Материалалюминий
 Длина, мм7000
 Вес, кг/м1,21
 Единица измерениям
 Норма поставки, м28

Арт.	Код	Цвет*	Розничная цена, евро с НДС
PRD40	401120211	RAL9006	21,00
	401120212	RAL9016	
	401120217	RAL8014	
	401120214	RAL5010	

* Указанные цвета имеют близкое соответствие шкале RAL.



АЛЮМИНИЕВЫЕ ПРОФИЛИ ДЛЯ ПАНОРАМНЫХ ПАНЕЛЕЙ

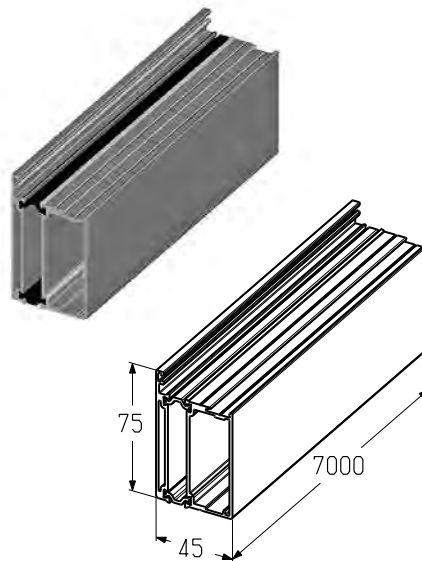
Профиль воротный (боковой с термическим разделением)

Используется для изготовления панорамных панелей AluTherm.

Материалалюминий
 Длина, мм7000
 Вес, кг/м1,61
 Единица измерениям
 Норма поставки, м14

Арт.	Код	Цвет*	Розничная цена, евро с НДС
PRD50	401120411	RAL9006	38,00
	401120412	RAL9016	
	401120417	RAL8014	
	401120414	RAL5010	

* Указанные цвета имеют близкое соответствие шкале RAL.



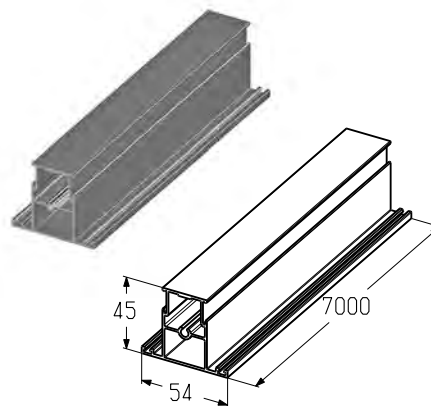
Профиль воротный (импост)

Используется для изготовления панорамных панелей AluPro.

Материалалюминий
 Длина, мм7000
 Вес, кг/м0,87
 Единица измерениям
 Норма поставки, м28

Арт.	Код	Цвет*	Розничная цена, евро с НДС
PRD41	401140211	RAL9006	17,00
	401140212	RAL9016	
	401140217	RAL8014	
	401140214	RAL5010	

* Указанные цвета имеют близкое соответствие шкале RAL.



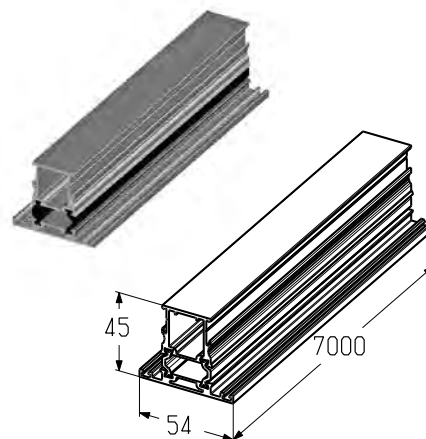
Профиль воротный (импост с термическим разделением)

Используется для изготовления панорамных панелей AluTherm.

Материалалюминий
 Длина, мм700
 Вес, кг/м1,16
 Единица измерениям
 Норма поставки, м24

Арт.	Код	Цвет*	Розничная цена, евро с НДС
PRD51	401140411	RAL9006	28,00
	401140412	RAL9016	
	401140417	RAL8014	
	401140414	RAL5010	

* Указанные цвета имеют близкое соответствие шкале RAL.



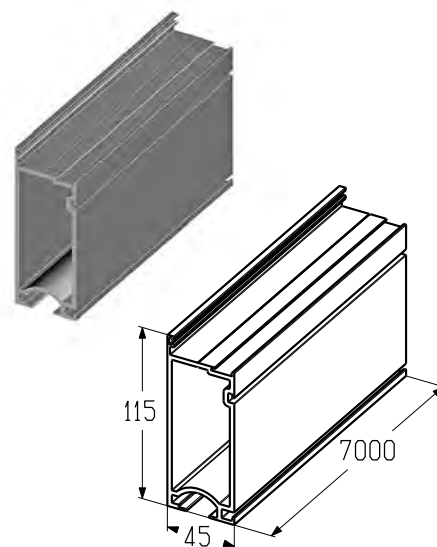
АЛЮМИНИЕВЫЕ ПРОФИЛИ ДЛЯ ПАНОРАМНЫХ ПАНЕЛЕЙ
Профиль воротный (нижний концевой)

Используется для изготовления панорамных панелей AluPro.

 Материал.....алюминий
 Длина, мм.....7000
 Вес, кг/м.....2,62
 Единица измерения.....м
 Норма поставки, м.....14

Арт.	Код	Цвет*	Розничная цена, евро с НДС
PRD46	401410111	RAL9006	45,00
	401410112	RAL9016	
	401410117	RAL8014	
	401410114	RAL5010	

* Указанные цвета имеют близкое соответствие шкале RAL.

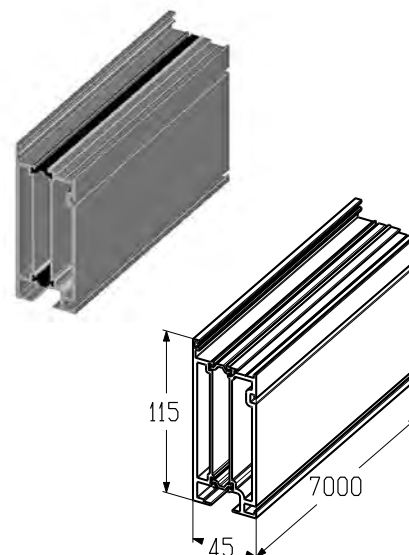

Профиль воротный (нижний концевой с термическим разделением)

Используется для изготовления панорамных панелей AluTherm.

 Материал.....алюминий
 Длина, мм.....7000
 Вес, кг/м.....3,20
 Единица измерения.....м
 Норма поставки, м.....14

Арт.	Код	Цвет*	Розничная цена, евро с НДС
PRD56	401490111	RAL9006	64,00
	401490112	RAL9016	
	401490117	RAL8014	
	401490114	RAL5010	

* Указанные цвета имеют близкое соответствие шкале RAL.

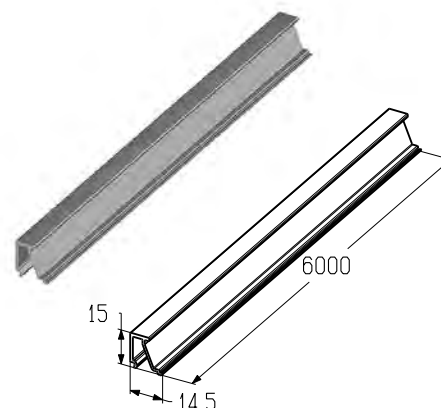

Профиль воротный (штапик)

Используется для изготовления панорамных панелей AluPro и AluTherm совместно с акриловыми или композитными вставками толщиной 26 и 25 мм.

 Материал.....алюминий
 Длина, мм.....6000
 Вес, кг/м.....0,131
 Единица измерения.....м
 Норма поставки, м.....96

Арт.	Код	Цвет*	Розничная цена, евро с НДС
PRD47	401150311	RAL9006	4,00
	401150312	RAL9016	
	401150317	RAL8014	
	401150314	RAL5010	

* Указанные цвета имеют близкое соответствие шкале RAL.



АЛЮМИНИЕВЫЕ ПРОФИЛИ ДЛЯ ПАНОРАМНЫХ ПАНЕЛЕЙ

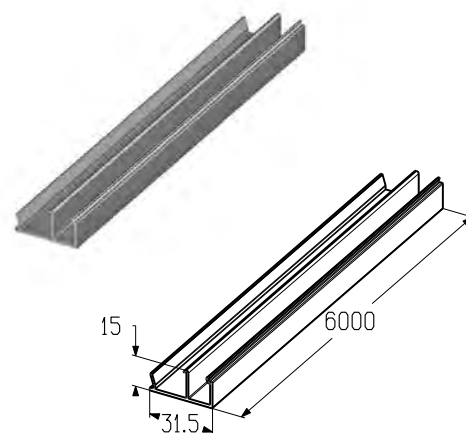
Профиль воротный (штапик)

Используется для изготовления панорамных панелей AluPro и AluTherm совместно с акриловыми или композитными вставками толщиной 3 мм.

Материал.....алюминий
 Длина, мм6000
 Вес, кг/м.....0,236
 Единица измеренияМ
 Норма поставки, м72

Арт.	Код	Цвет*	Розничная цена, евро с НДС
PRD48	401150411	RAL9006	5,00
	401150412	RAL9016	
	401150417	RAL8014	
	401150414	RAL5010	

* Указанные цвета имеют близкое соответствие шкале RAL.



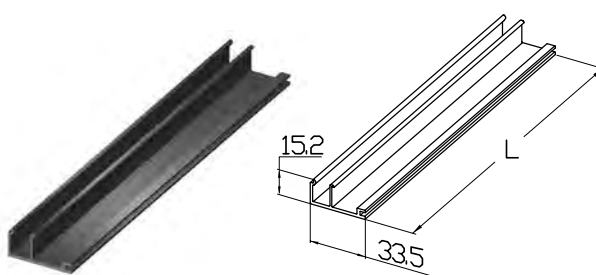
Профиль штапика

Используется для изготовления панорамных панелей AluPro совместно с:

- решеткой для панорамной панели стальной тянутой (GG-58);
- решеткой для панорамной панели стальной (GG-40×40);
- листом перфорированным алюминиевым для панорамной панели (AG-8-12).

Материал.....RPVC
 Длина, мм2500
 Вес, кг/м.....0,15
 Единица измеренияМ
 Норма поставки, м200

Арт.	Код	Розничная цена, евро с НДС
PRP05	401150530	6,20

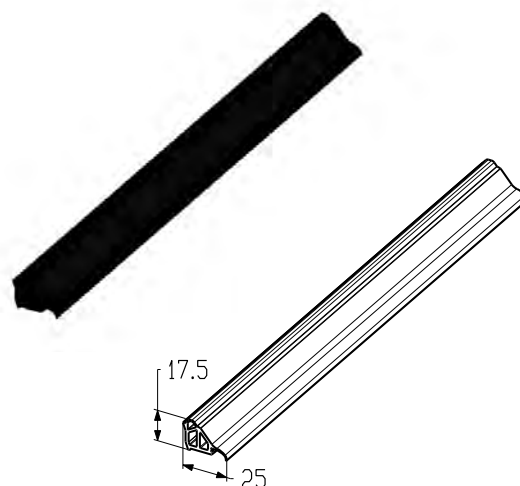


Вставка уплотнительная

Используется для изготовления панорамных панелей AluPro и AluTherm. Предназначена для установки в профиль воротный верхний (PRD44, PRD45, PRD54, PRD55).

Материал.....EPDM
 Вес, кг/м.....0,34
 Единица измеренияМ
 Норма поставки, м100

Арт.	Код	Розничная цена, евро с НДС
RSP25	401520200	3,90



АЛЮМИНИЕВЫЕ ПРОФИЛИ ДЛЯ ПАНОРАМНЫХ ПАНЕЛЕЙ

Уплотнитель резиновый

Используется для изготовления панорамных панелей AluPro и AluTherm. Предназначен для установки с внешней стороны ворот совместно с акриловой вставкой толщиной 26 мм, 25 мм, 3 мм или композитной вставкой толщиной 26 мм и 3 мм.

Материал..... EPDM
 Вес, кг/м.....0,044
 Единица измерения м
 Норма поставки, м.....400

Арт.	Код	Розничная цена, евро с НДС
FRK29-01	10415900	0,40



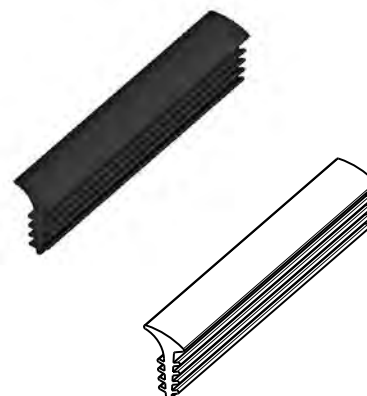
3.1

Уплотнитель резиновый

Используется для изготовления панорамных панелей AluPro и AluTherm. Предназначен для установки с внутренней стороны ворот совместно с акриловой и композитной вставкой толщиной 26 мм.

Материал..... EPDM
 Вес, кг/м.....0,027
 Единица измерения м
 Норма поставки, м.....600

Арт.	Код	Розничная цена, евро с НДС
FRK37	10415400	0,30

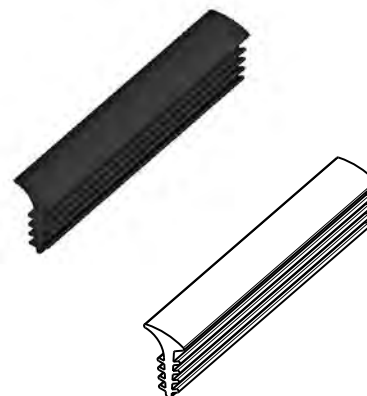


Уплотнитель резиновый

Используется для изготовления панорамных панелей AluTherm. Предназначен для установки с внутренней стороны ворот совместно с акриловой вставкой толщиной 25 мм.

Материал..... EPDM
 Вес, кг/м.....0,046
 Единица измерения м
 Норма поставки, м.....400

Арт.	Код	Розничная цена, евро с НДС
FRK38	10415500	0,40



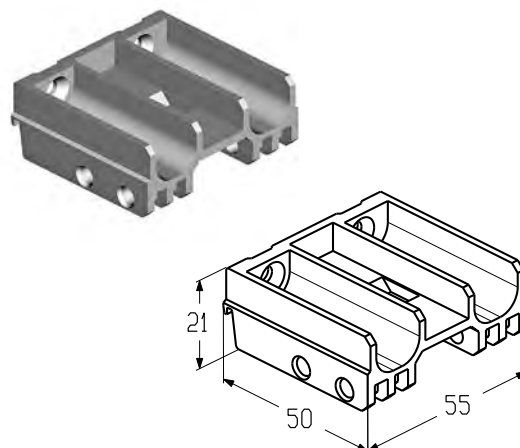
АЛЮМИНИЕВЫЕ ПРОФИЛИ ДЛЯ ПАНОРАМНЫХ ПАНЕЛЕЙ

Соединитель

Используется для изготовления панорамных панелей AluTherm.
Предназначен для соединения профиля воротного верхнего (PRD54, PRD55)
и профиля воротного бокового (PRD50).

Материал.....алюминий
Вес, кг/шт.....0,128
Единица измеренияшт.
Норма поставки, шт..... 100

Арт.	Код	Розничная цена, евро с НДС
C1010	401190300	7,00

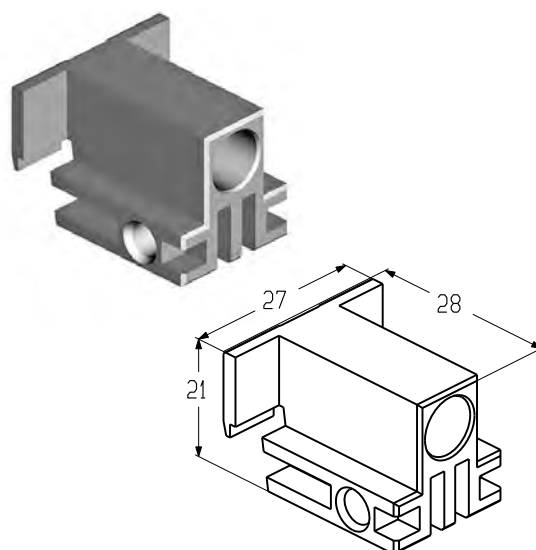


Соединитель

Используется для изготовления панорамных панелей AluTherm.
Предназначен для соединения профиля воротного верхнего (PRD54, PRD55)
и профиля воротного импоста (PRD51).

Материал.....алюминий
Вес, кг/шт.....0,03
Единица измеренияшт.
Норма поставки, шт..... 400

Арт.	Код	Розничная цена, евро с НДС
C1011	401190400	1,80

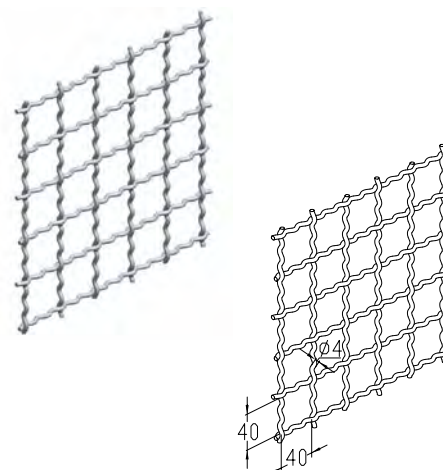


Решетка для панорамной панели стальная

Используется для заполнения панорамных панелей AluPro.

Материал.....оцинкованная сталь
Толщина, мм.....4,0
Вес, кг/м².....0,44
Единица измерениям²
Норма поставки, м.....3,125

Арт.	Код	Розничная цена, евро с НДС
GG-58	401192200	63,00

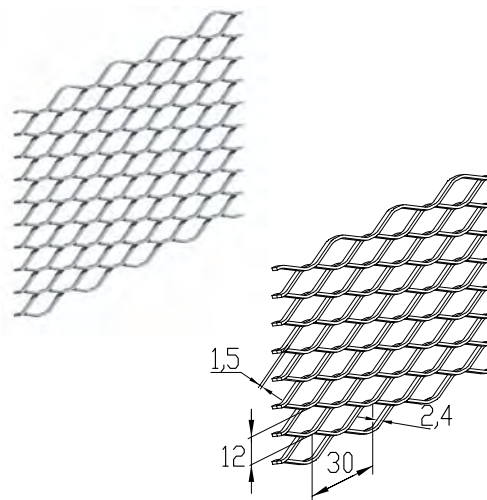


Решетка для панорамной панели стальная тянутая

Используется для заполнения панорамных панелей AluPro.

Материал.....оцинкованная сталь
Толщина, мм4,0
Вес, кг/м²3,69
Единица измерениям²
Норма поставки, м.....3,125

Арт.	Код	Розничная цена, евро с НДС
GG-40×40	401192300	57,50



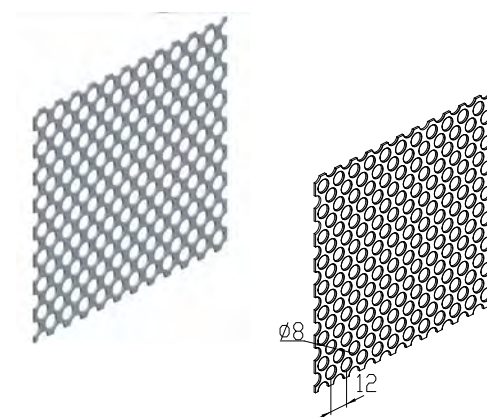
3.1

Лист перфорированный алюминиевый для панорамной панели

Используется для заполнения панорамных панелей AluPro.

Материал.....алюминий
Толщина, мм1,6
Вес, кг/м²3,75
Единица измерениям²
Норма поставки, м.....3,125

Арт.	Код	Розничная цена, евро с НДС
AG-8-12	401192400	179,00

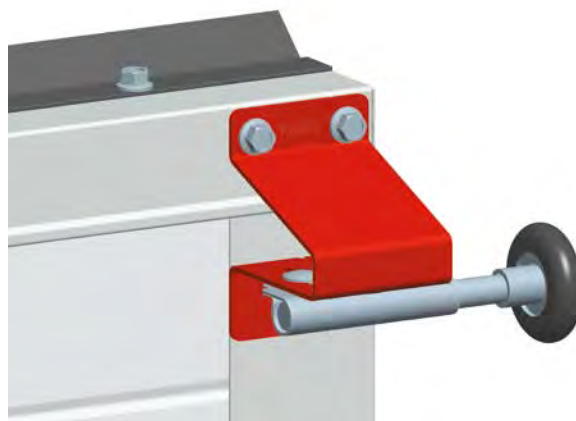
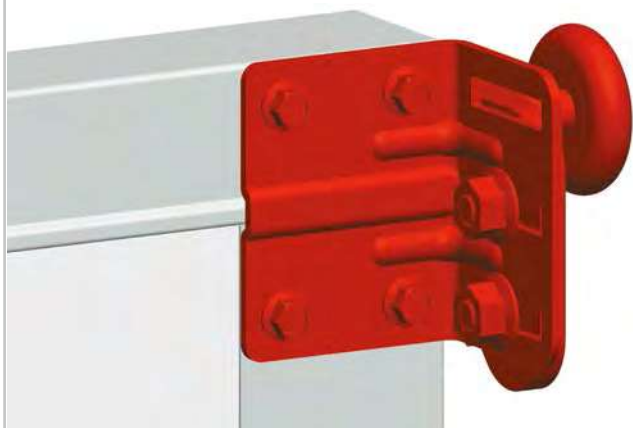


КРОНШТЕЙНЫ И ПЕТЛИ ДЛЯ СБОРКИ ПОЛОТНА ВОРОТ

УСТАНОВКА КРОНШТЕЙНА ВЕРХНЕГО

Кронштейн верхний для гаражных и промышленных ворот

Кронштейн верхний для промышленных ворот



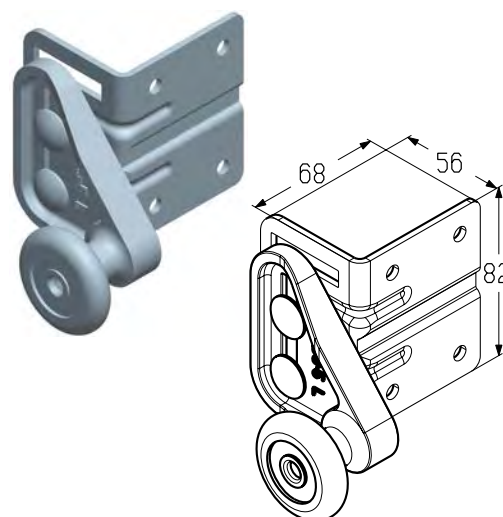
Кронштейн верхний

Предназначен для установки на верхнюю панель полотна ворот.
Используется:

- в гаражных воротах стандартного и низкого типов монтажа;
- в промышленных воротах низкого и наклонного низкого типов монтажа.

Материал нержавеющая сталь/алюминий
Вес, кг/шт 0,359
Единица измерения шт.
Норма поставки, шт. 30

Арт.	Код	Примечание	Ось ролика	Розничная цена, евро с НДС
RBG900L	401210000	Левый	Из оцинкованной стали	9,00
RBG900R	401210100	Правый		
RBG900L-SS	401210200	Левый	Из нержавеющей стали	11,00
RBG900R-SS	401210300	Правый		



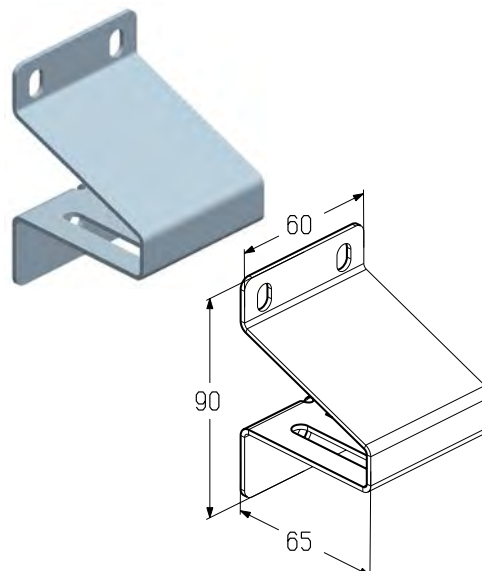
Кронштейн верхний

Предназначен для установки на верхнюю панель полотна ворот.
Используется:

- в гаражных воротах высокого типа монтажа;
- в промышленных воротах всех типов монтажа (кроме низких типов монтажа).

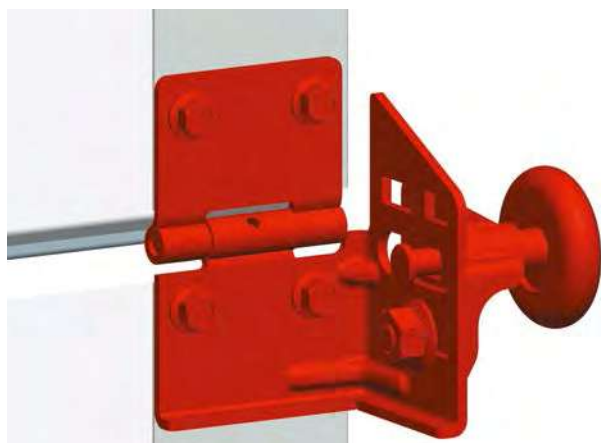
Материал нержавеющая сталь
Вес, кг/шт 0,15
Единица измерения шт.
Норма поставки, шт. 100

Арт.	Код	Розничная цена, евро с НДС
RB1125	401220900	4,00



УСТАНОВКА КРОНШТЕЙНА БОКОВОГО

Кронштейн боковой для гаражных ворот



Кронштейн боковой для промышленных ворот



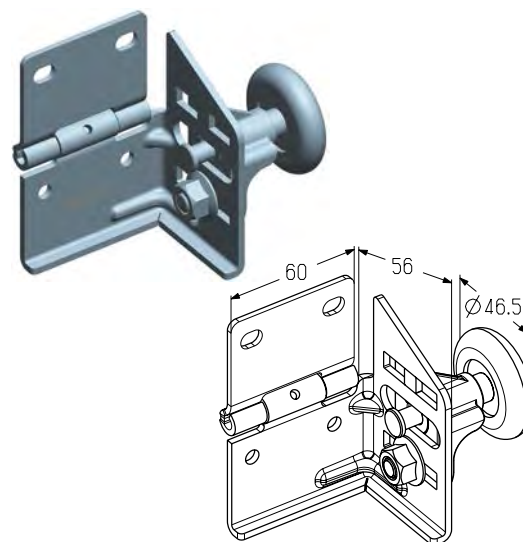
3.1

Кронштейн боковой

Предназначен для установки на промежуточные панели полотна ворот. Используется в гаражных воротах стандартного и низкого типов монтажа.

Материал нержавеющая сталь/алюминий
 Вес, кг/шт. 0,346
 Единица измерения шт.
 Норма поставки, шт. 30

Арт.	Код	Примечание	Ось ролика	Розничная цена, евро с НДС
RBG700L	401220000	Левый	Из оцинкованной стали	9,00
RBG700R	401220100	Правый		9,00
RBG700L-SS	401220200	Левый	Из нержавеющей стали	11,00
RBG700R-SS	401220300	Правый		11,00



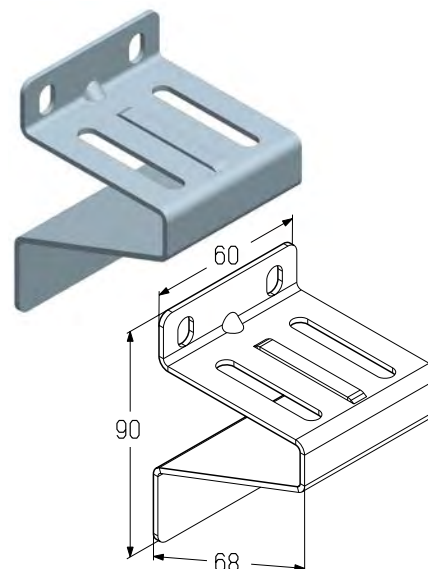
Кронштейн боковой

Предназначен для установки на промежуточную панель полотна ворот. Используется:

- в гаражных воротах высокого типа монтажа;
- в промышленных воротах всех типов монтажа.

Материал нержавеющая сталь
 Вес, кг/шт. 0,154
 Единица измерения шт.
 Норма поставки, шт. 145

Арт.	Код	Розничная цена, евро с НДС
RBI123	401220400	3,30



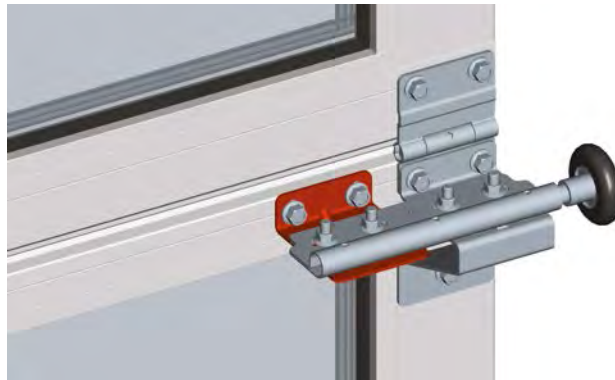
КРОНШТЕЙНЫ И ПЕТЛИ ДЛЯ СБОРКИ ПОЛОТНА ВОРОТ

**УСТАНОВКА КРОНШТЕЙНА БОКОВОГО ДОПОЛНИТЕЛЬНОГО
КРОНШТЕЙН БОКОВОЙ ДЛЯ ПАНОРАМНЫХ ВОРОТ**

Установка на промежуточные панели



Установка на верхнюю панель

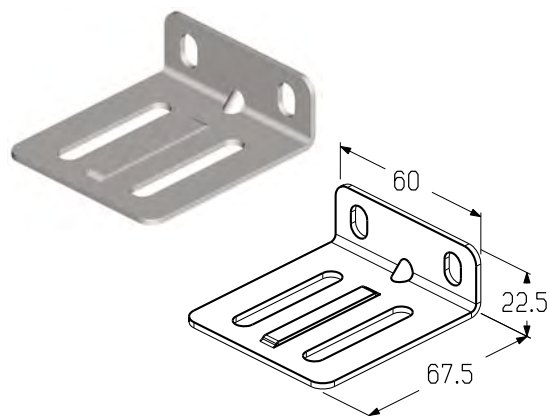


Кронштейн боковой дополнительный

Предназначен для установки на промежуточные и верхнюю панорамные панели AluPro и AluTherm. Устанавливается совместно с кронштейном боковым (RBI1253) и кронштейном верхним (RBI125). Используется в гаражных и промышленных воротах с панорамными панелями свыше 5 м.

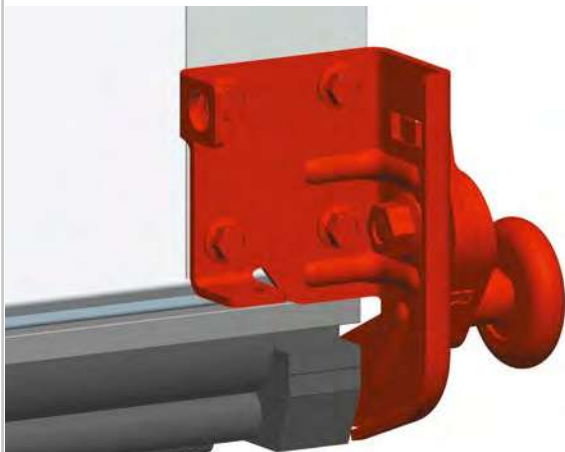
Материал нержавеющая сталь
Вес, кг/шт. 0,07
Единица измерения шт.

Арт.	Код	Розничная цена, евро с НДС
11043124	4000130	3,20

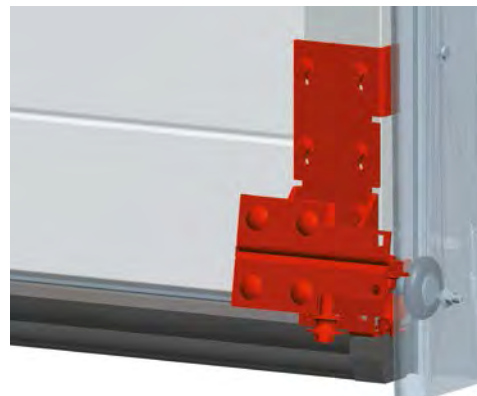


УСТАНОВКА КРОНШТЕЙНА НИЖНЕГО

Кронштейн нижний для гаражных ворот



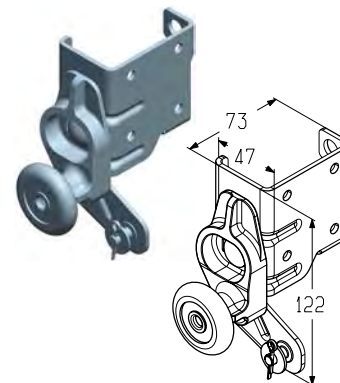
Кронштейн нижний для промышленных ворот



Кронштейн нижний левый, кронштейн нижний правый

Предназначен для установки на нижнюю панель полотна ворот.
Используется в гаражных воротах всех типов монтажа.

Материал..... нержавеющая сталь/алюминий
Вес, кг/шт.....0,419
Единица измеренияшт.
Норма поставки, шт.30

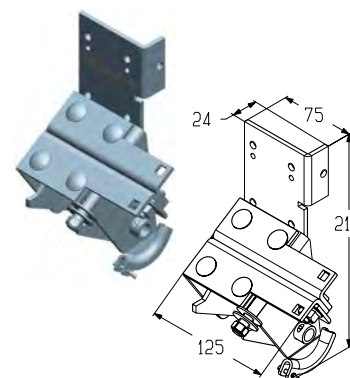


Арт.	Код	Примечание	Ось ролика	Розничная цена, евро с НДС
RBG100L	401231200	Левый	Из оцинкованной стали	11,00
RBG100R	401231300	Правый	Из оцинкованной стали	11,00
RBG100L-SS	401231400	Левый	Из нержавеющей стали	11,00
RBG100R-SS	401231500	Правый	Из нержавеющей стали	11,00

Кронштейн нижний

Предназначен для защиты от падения полотна промышленных ворот при обрыве троса. Устанавливается на нижнюю панель полотна ворот.
Используется в промышленных воротах всех типов монтажа.

Материал..... оцинкованная сталь
Вес, кг/шт..... 1,76
Единица измеренияшт.
Норма поставки, шт. 8

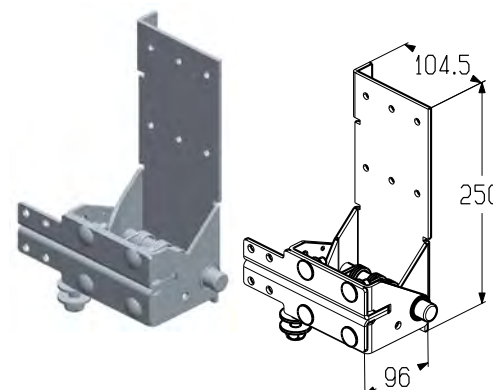


Арт.	Код	Примечание	Розничная цена, евро с НДС
RBI446L	401230400	Левый	26,00
RBI446R	401230500	Правый	26,00

Кронштейн роликовый нижний

Предназначен для защиты от падения полотна промышленных ворот при обрыве троса. Устанавливается на нижнюю панель полотна ворот при ширине проема более 5 м. Используется в промышленных воротах всех типов монтажа.

Материал..... оцинкованная сталь
Вес, кг/шт..... 2,56
Единица измерения.....шт.



Арт.	Код	Примечание	Розничная цена, евро с НДС
RBI-45.110DL	401233000	Левый	41,00
RBI-45.110DR	401233100	Правый	41,00

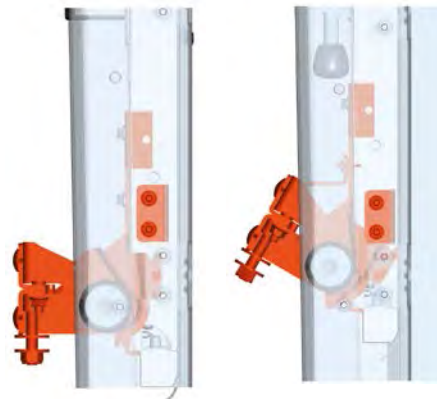
КРОНШТЕЙНЫ И ПЕТЛИ ДЛЯ СБОРКИ ПОЛОТНА ВОРОТ

УСТАНОВКА КРОНШТЕЙНА РОЛИКОВОГО НИЖНЕГО ДЛЯ ПРОМЫШЛЕННЫХ ВОРОТ

Кронштейн роликовый нижний (RBI-40.100L/R)



Кронштейн роликовый нижний (RBI-40.120L/R)



3.1

Кронштейн роликовый нижний

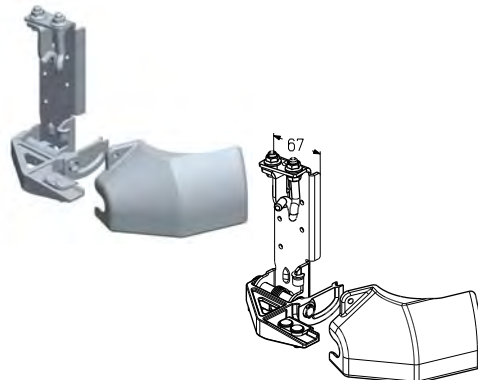
Предназначен:

- для защиты от падения полотна промышленных ворот при обрыве троса;
- для защиты промышленных ворот с навальным электроприводом от поддомкрачивания;
- обеспечивает возможность натяжения троса.

Устанавливается на нижнюю панель полотна ворот при ширине проема до 5 м или площадью полотна до 25 м². Используется в промышленных воротах всех типов монтажа.

Материал..... оцинкованная сталь
Вес, кг/шт..... 1,74
Единица измеренияшт.

Арт.	Код	Примечание	Розничная цена, евро с НДС
RBI-45.100L	402602000	Левый	42,00
RBI-45.100R	402602100	Правый	42,00



Кронштейн нижний

Предназначен:

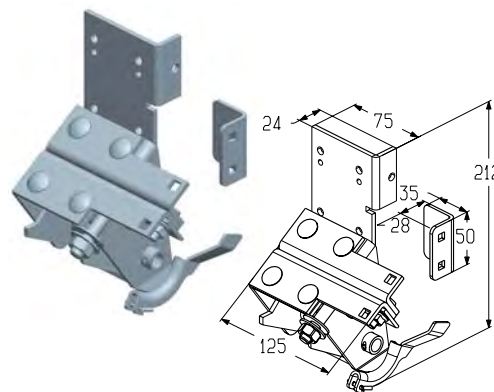
- для защиты от падения полотна промышленных ворот при обрыве троса;
- для защиты промышленных ворот с навальным электроприводом от поддомкрачивания.

Устанавливается на нижнюю панель полотна ворот.

Используется в промышленных автоматизированных воротах всех типов монтажа.

Материал..... оцинкованная сталь
Вес, кг/шт..... 1,76
Единица измеренияшт.
Норма поставки, шт..... 8

Арт.	Код	Примечание	Розничная цена, евро с НДС
RBI446ML	401230600	Левый	29,00
RBI446MR	401230700	Правый	29,00



Кронштейн роликовый нижний

Предназначен:

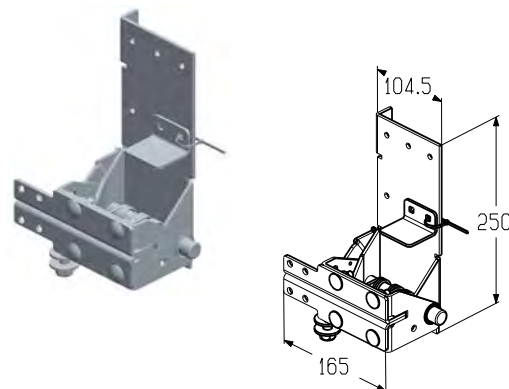
- для защиты от падения полотна промышленных ворот при обрыве троса;
- для защиты промышленных ворот с навальным электроприводом от поддомкрачивания;

Устанавливается на нижнюю панель полотна ворот при ширине проема более 5 м.

Используется в промышленных автоматизированных воротах всех типов монтажа.

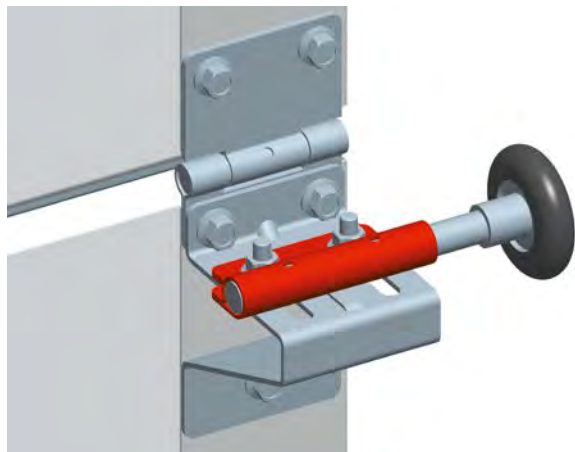
Материал..... оцинкованная сталь
Вес, кг/шт..... 2,56
Единица измеренияшт.

Арт.	Код	Примечание	Розничная цена, евро с НДС
RBI-45.120DL	401234000	Левый	46,00
RBI-45.120DR	401234100	Правый	46,00

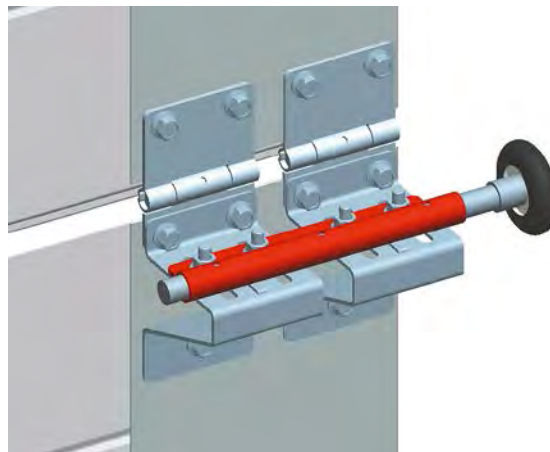


УСТАНОВКА НАКЛАДКИ РОЛИКОВОЙ

Накладка роликовая



Накладка роликовая дуплексная



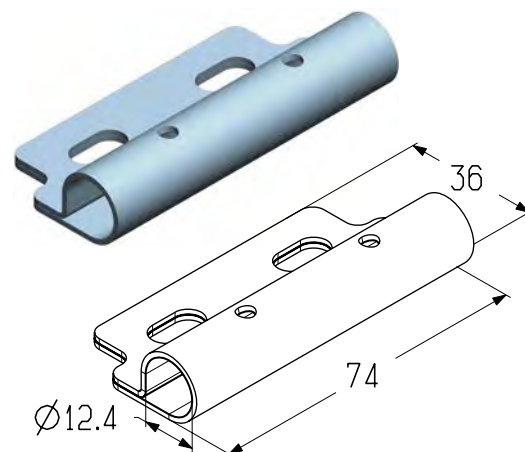
Накладка роликовая

Предназначена для установки ролика ходового (R-130-12-G, R-130-12-SS) на кронштейн боковой (RBI123) на промежуточные панели полотна ворот.

Используется:

- в гаражных воротах высокого типа монтажа;
- в промышленных воротах всех типов монтажа.

Материал..... нержавеющая сталь
Вес, кг/шт..... 0,048
Единица измерения..... шт.
Норма поставки, шт..... 400



Арт.	Код	Розничная цена, евро с НДС
RP112	401240000	1,30

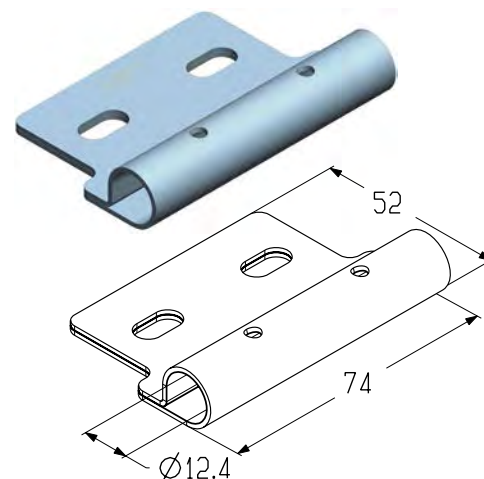
Накладка роликовая

Предназначена для установки ролика ходового (R-130-12-G, R-130-12-SS) на кронштейн боковой (RBI123) на верхнюю панель полотна ворот.

Используется:

- в гаражных воротах высокого типа монтажа;
- в промышленных воротах всех типов монтажа.

Материал..... нержавеющая сталь
Вес, кг/шт..... 0,06
Единица измерения..... шт.
Норма поставки, шт..... 100



Арт.	Код	Розничная цена, евро с НДС
RP113	401240100	1,60

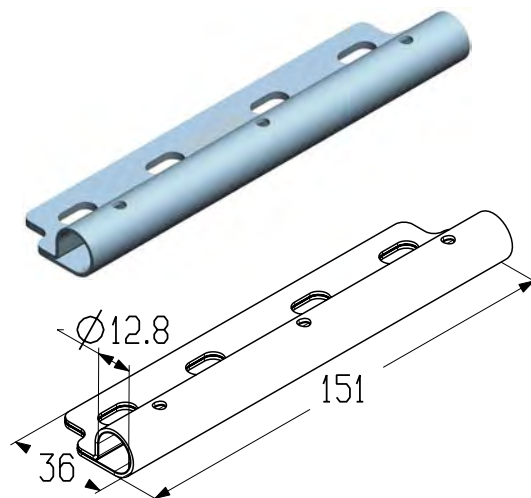
КРОНШТЕЙНЫ И ПЕТЛИ ДЛЯ СБОРКИ ПОЛОТНА ВОРОТ

Накладка роликовая дуплексная промежуточная

Предназначена для установки ролика ходового (R-205-12-G, R-205-12-SS) на двойной кронштейн боковой (RBI123) на промежуточные панели полотна ворот. Используется в промышленных воротах всех типов монтажа шириной более 5 м.

Материал нержавеющая сталь
Вес, кг/шт. 0,102
Единица измерения шт.
Норма поставки, шт. 250

Арт.	Код	Розничная цена, евро с НДС
RP121	401240200	2,50

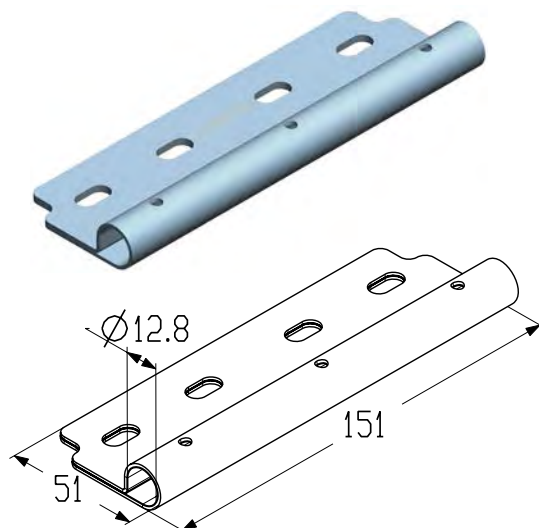


Накладка роликовая дуплексная верхняя

Предназначена для установки ролика ходового (R-205-12-G, R-205-12-SS) на двойной кронштейн боковой (RBI123) на верхнюю панель полотна ворот. Используется в промышленных воротах всех типов монтажа шириной более 5 м.

Материал нержавеющая сталь
Вес, кг/шт. 0,15
Единица измерения шт.
Норма поставки, шт. 200

Арт.	Код	Розничная цена, евро с НДС
RP122	401240300	3,50

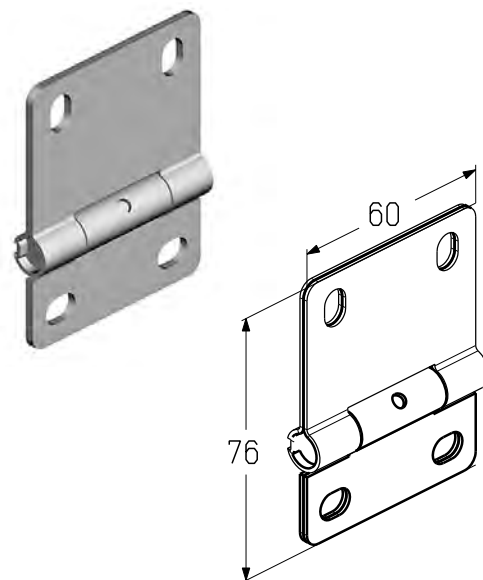


Петля промежуточная

Предназначена для соединения сэндвич-панелей полотна ворот. Используется в гаражных и промышленных воротах всех типов монтажа без усиливающего профиля (PRG-19).

Материал нержавеющая сталь
Вес, кг/шт. 0,111
Единица измерения шт.
Норма поставки, шт. 288

Арт.	Код	Розничная цена, евро с НДС
IN113	401190500	3,00



КРОНШТЕЙНЫ И ПЕТЛИ ДЛЯ СБОРКИ ПОЛОТНА ВОРОТ
Петля промежуточная

Предназначена для соединения сэндвич-панелей полотна ворот.
 Используется в гаражных и промышленных воротах всех типов монтажа совместно с профилем усиливающим (PRG-19).

Предназначена для соединения панорамных панелей серии AluPro и AluTherm.

Устанавливается совместно:

- с профилем воротным (PRD43, PRD53) на ворота шириной от 4 м до 5 м;
- с профилем усиливающим PRG20 на ворота шириной свыше 5 м.

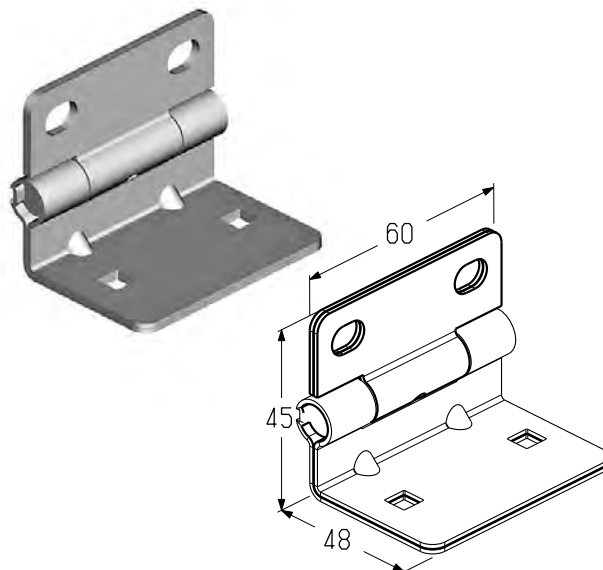
Материал нержавеющая сталь

Вес, кг/шт. 0,11

Единица измерения шт.

Норма поставки, шт. 300

Арт.	Код	Розничная цена, евро с НДС
ИН111	401190100	3,00


3.1
Петля промежуточная

Предназначена для соединения панорамных панелей серий AluPro и AluTherm.

Устанавливается совместно с кронштейном боковым (RBI123) и профилем воротным (PRD43, PRD53). Используется в гаражных воротах высокого типа монтажа шириной от 4 м до 5 м.

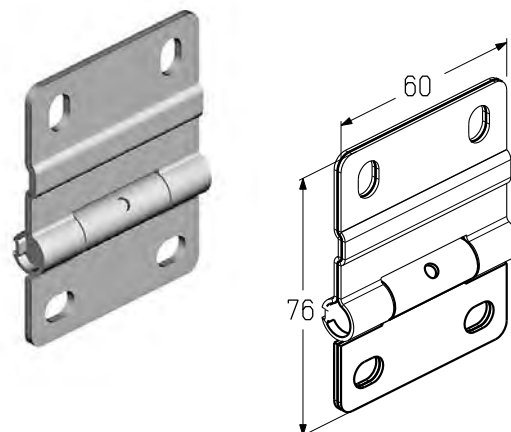
Материал нержавеющая сталь

Вес, кг/шт. 0,11

Единица измерения шт.

Норма поставки, шт. 288

Арт.	Код	Розничная цена, евро с НДС
ИН-114	401190600	3,00



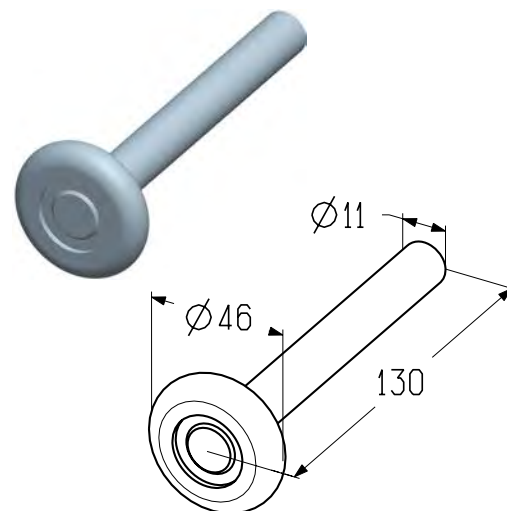
РОЛИКИ ХОДОВЫЕ

Ролик ходовой

Предназначен для установки в кронштейн нижний (RBI446L/R, RBI446ML/R).
Используется в промышленных воротах всех типов монтажа.

Диаметр оси, мм 11
 Длина ролика, мм 130
 Единица измерения шт.
 Норма поставки, шт. 100

Арт.	Код	Вес, кг/шт.	Ось ролика	Розничная цена, евро с НДС
R-130-11-G	401920000	0,143	Из оцинкованной стали	2,50
R-130-11-SS	401920100	0,146	Из нержавеющей стали	13,00



Ролик ходовой

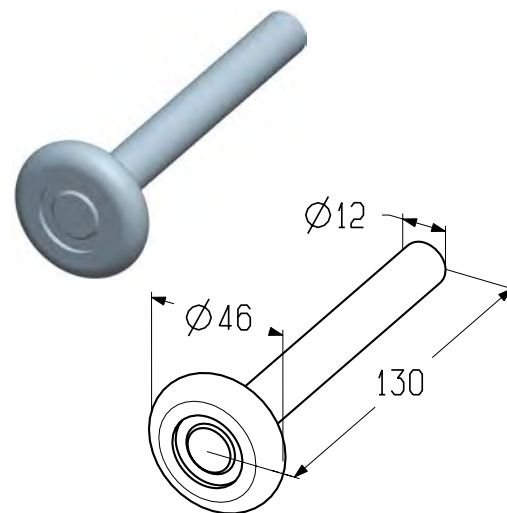
Предназначен для установки в накладку роликовую (RP112, RP113) на кронштейн боковой (RBI123).

Используется:

- в гаражных воротах высокого типа монтажа;
- в промышленных воротах всех типов монтажа.

Диаметр оси, мм 12
 Длина ролика, мм 130
 Единица измерения шт.
 Норма поставки, шт. 100

Арт.	Код	Вес, кг/шт.	Ось ролика	Розничная цена, евро с НДС
R-130-12-G	401920200	0,156	Из оцинкованной стали	2,50
R-130-12-SS	401920300	0,168	Из нержавеющей стали	12,00

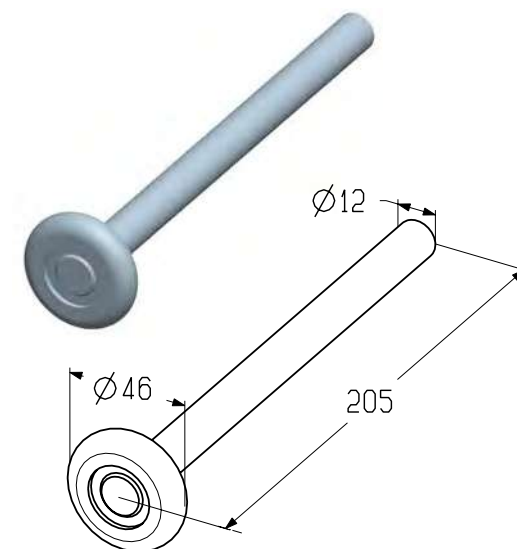


Ролик ходовой

Предназначен для установки в накладку роликовую (RP121, RP122) на двойной кронштейн боковой (RBI123).
Используется в промышленных воротах всех типов монтажа шириной более 5 м.

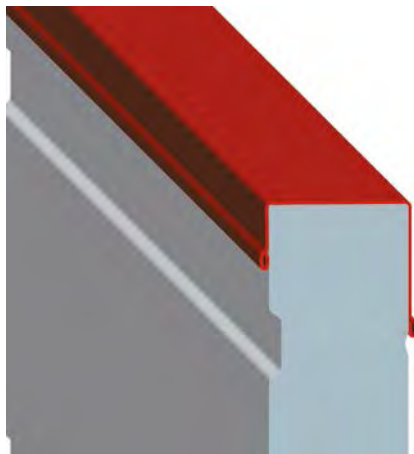
Диаметр оси, мм 12
 Длина ролика, мм 205
 Единица измерения шт.
 Норма поставки, шт. 100

Арт.	Код	Вес, кг/шт.	Ось ролика	Розничная цена, евро с НДС
R-205-12-G	401920400	0,224	Из оцинкованной стали	3,00
R-205-12-SS	401920500	0,228	Из нержавеющей стали	15,00

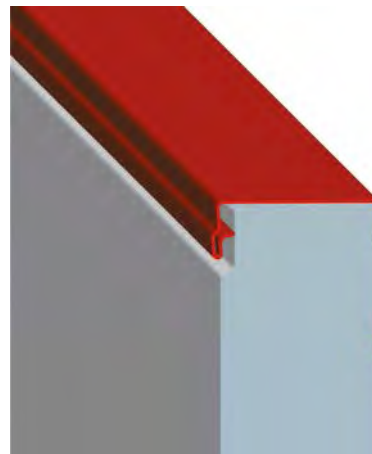


УСТАНОВКА ПРОФИЛЯ КОНЦЕВОГО ВЕРХНЕГО

Профиль концевой верхний (арт. PRG-14)



Профиль концевой верхний (арт. PRG-15)



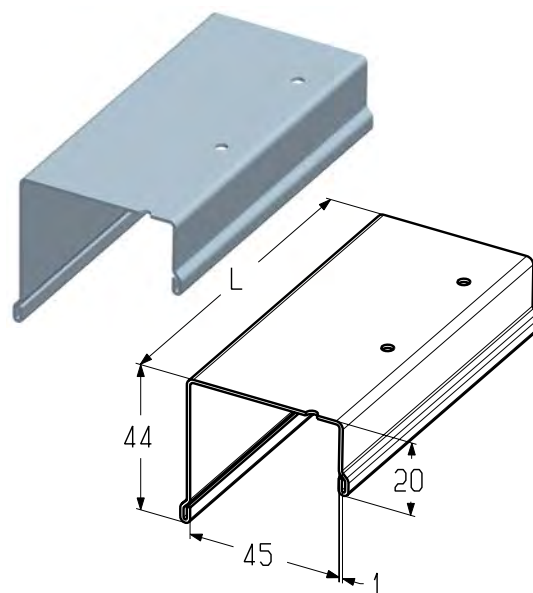
3.1

Профиль концевой (верхний)

Предназначен для установки на верхнюю панель полотна ворот. Используется в гаражных и промышленных воротах всех типов монтажа.

Материал.....оцинкованная сталь
 Покрытие.....полимерное
 Цвет.....бело-серый (близкий RAL9002)
 Вес, кг/м.....0,95
 Единица измерения.....м

Арт.	Код	Длина, мм	Норма поставки, шт.	Розничная цена, евро с НДС
PRG-14	401411310	5720	823,68	7,60
		7040	1031,76	

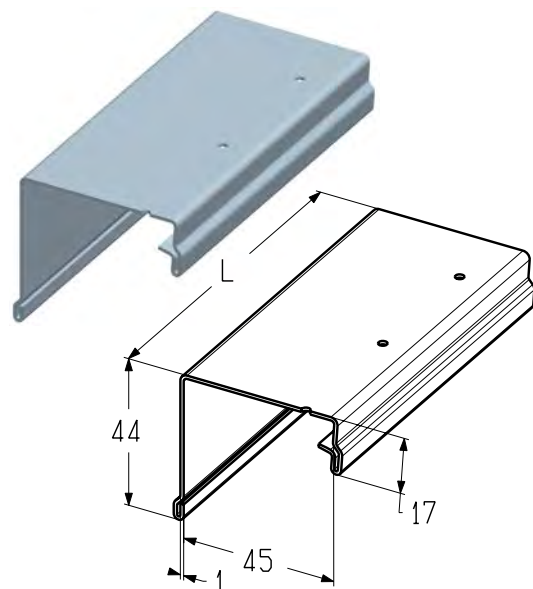


Профиль концевой (верхний)

Предназначен для установки на верхнюю панель полотна ворот. Используется в гаражных и промышленных воротах всех типов монтажа. Устанавливается на сэндвич-панель с горизонтальным гофром в том случае, если подрезка панели попадает на паз.

Материал.....оцинкованная сталь
 Покрытие.....полимерное
 Цвет.....бело-серый (близкий RAL9002)
 Вес, кг/м.....0,95
 Единица измерения.....м

Арт.	Код	Длина, мм	Норма поставки, м	Розничная цена, евро с НДС
PRG-15	401411410	5720	915,20	7,60
		7040	1126,40	



ПРОФИЛИ ДЛЯ ПОЛОТНА ВОРОТ

УСТАНОВКА ПРОФИЛЯ КОНЦЕВОГО НИЖНЕГО



Профиль концевой (нижний)

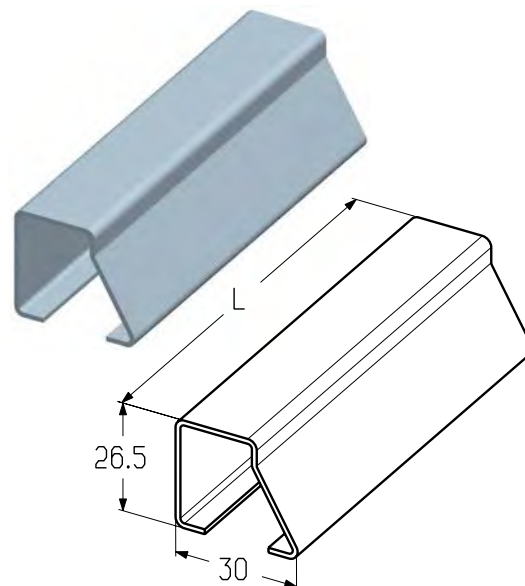
Предназначен для установки в нижнюю панель полотна ворот.
Используется в гаражных и промышленных воротах всех типов монтажа.

Материал.....оцинкованная сталь

Вес, кг/м..... 0,74

Единица измерения.....м

Арт.	Код	Длина, мм	Норма поставки, м	Розничная цена, евро с НДС
PRG-11	401411000	5700	45,60	4,00
		7040	56,32	



УСТАНОВКА ФАЛЬШПАНЕЛИ

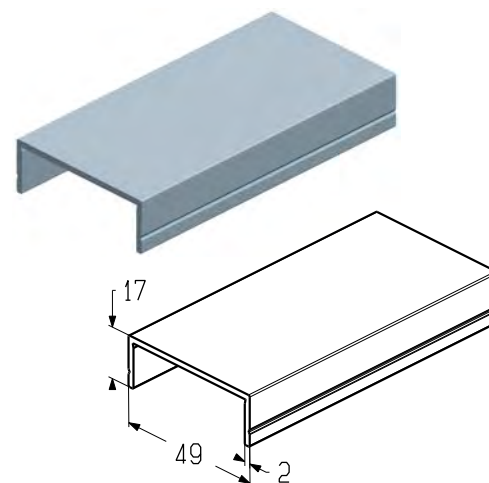

3.1

Профиль воротный

Предназначен для изготовления фальшпанели. Используется в гаражных и промышленных всех типов монтажа.

Длина, мм.....6000
 Материал.....алюминий
 Вес, кг/м.....0,42
 Единица измерения.....м
 Норма поставки, м.....72

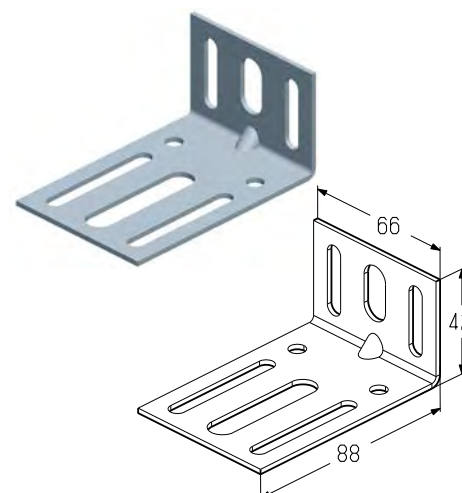
Арт.	Код	Покрытие	Цвет	Розничная цена, евро с НДС
PRD19S-6000	401420400	Анодированное	A00-D6 (серебро)	9,50
PRD19S	401420033	Порошковое	близкий RAL8019	9,50


Кронштейн

Предназначен для крепления фальшпанели к верхней перемычке высотой до 65 мм. Используется в гаражных и промышленных всех типов монтажа.

Материал.....оцинкованная сталь
 Вес, кг/шт.....0,092
 Единица измерения.....шт.
 Норма поставки, шт.....200

Арт.	Код	Розничная цена, евро с НДС
FPB5007	401820100	2,50



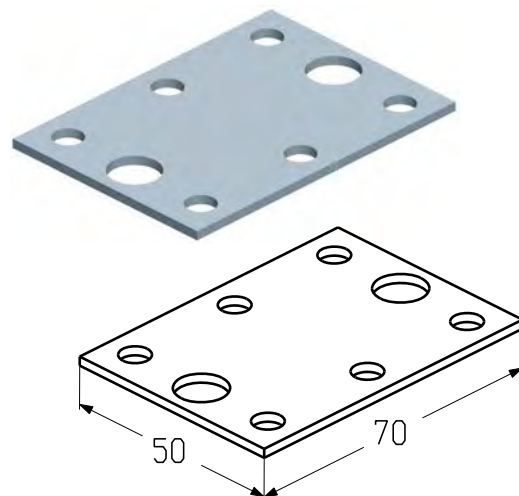
ПРОФИЛИ ДЛЯ ПОЛОТНА ВОРОТ

Пластина

Предназначена для крепления фальшпанели к верхней перемычке высотой свыше 65 мм и боковым стенкам проема.
Используется в гаражных и промышленных всех типов монтажа.

Материал оцинкованная сталь
Вес, кг/шт. 0,049
Единица измерения шт.
Норма поставки, шт. 300

Арт.	Код	Розничная цена, евро с НДС
FPP5008	401830100	2,00

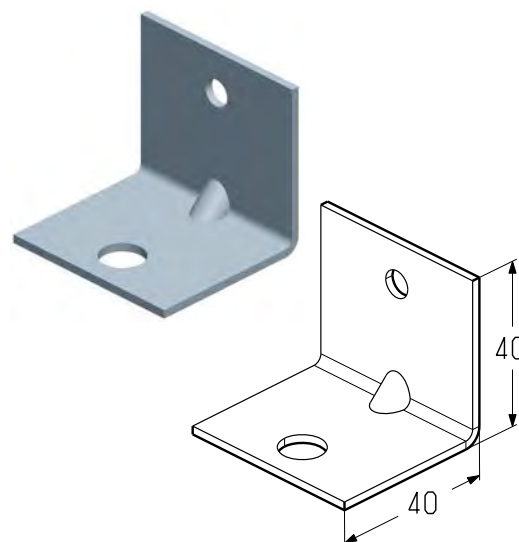


Кронштейн

Предназначен для крепления фальшпанели к боковым стенкам проема.
Используется в гаражных и промышленных всех типов монтажа.

Материал оцинкованная сталь
Вес, кг/шт. 0,053
Единица измерения шт.
Норма поставки, шт. 300

Арт.	Код	Розничная цена, евро с НДС
FPB5009	401820200	1,45



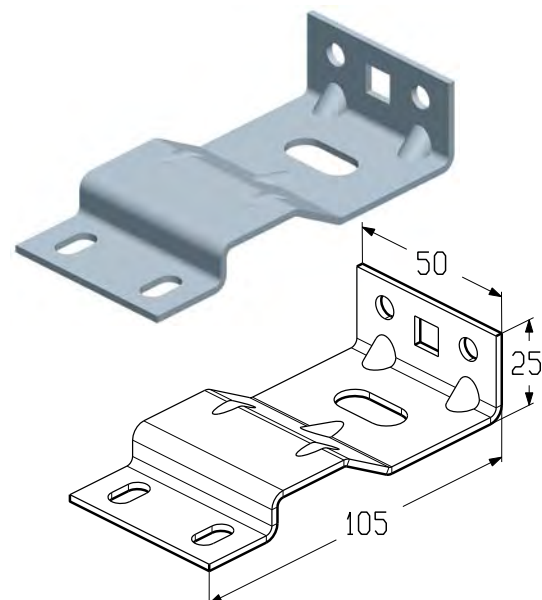
Кронштейн

Предназначен для крепления фальшпанели к боковым стенкам проема.
Устанавливается совместно с угловым профилем (PRG32H, PRG02H, PRG01).
Используется:

- в гаражных воротах высокого типа монтажа;
- в промышленных воротах высоких и вертикальных типов монтажа.

Материал оцинкованная сталь
Вес, кг/шт. 0,101
Единица измерения шт.
Норма поставки, шт. 160

Арт.	Код	Розничная цена, евро с НДС
FPB5010	401820300	3,60



УСТАНОВКА ПРОФИЛЯ УСИЛИВАЮЩЕГО



3.1

Профиль усиливающий

Используется в гаражных воротах:

- стандартного и низкого типа монтажа шириной свыше 5 м;
- высокого типа монтажа шириной свыше 4,5 м.

Используется в промышленных воротах:

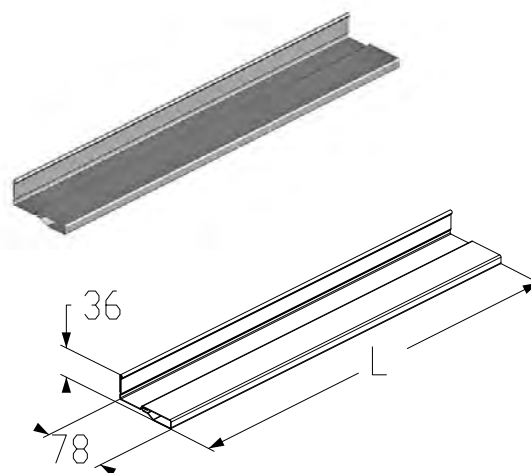
- всех типов монтажа (кроме высоких и вертикальных) шириной свыше 5м;
- высоких и вертикальных типах монтажа шириной свыше 4,5 м.

Материал.....оцинкованная сталь

Вес, кг/м..... 1,52

Единица измеренияМ

Арт.	Код	Длина, мм	Норма поставки, м	Розничная цена, евро с НДС
PRG-19-4290	401436200	4290	686,4	14,00
PRG-19-4950	401436400	4950	792,0	
PRG-19-5610	401436600	5610	897,6	
PRG-19-6600	401436900	6600	1056,0	



Профиль усиливающий

Используется в гаражных воротах с торсионными пружинами с панорамным остеклением (серия ПО) шириной свыше 5 м.

Используется в промышленных воротах с панорамным остеклением (серий АЛП, АЛПС, ПО):

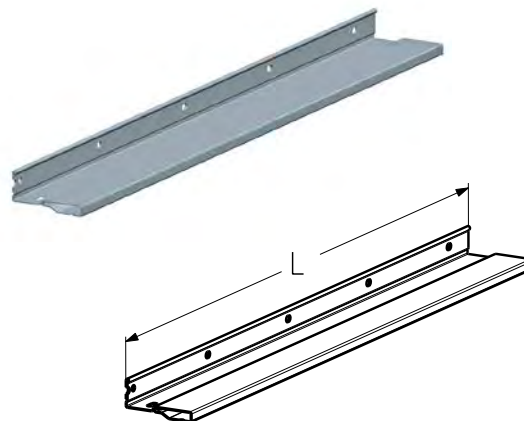
- всех типов монтажа (кроме высоких и вертикальных) шириной свыше 5 м;
- высоких и вертикальных типах монтажа шириной свыше 4,5 м.

Материал.....оцинкованная сталь

Вес, кг/м..... 1,52

Единица измеренияМ

Арт.	Код	Длина, мм	Норма поставки, м	Розничная цена, евро с НДС
PRG-20-4290	401437100	4290	686,4	15,00
PRG-20-4950	401437300	4950	792,0	
PRG-20-5610	401437500	5610	897,6	
PRG-20-6600	401437800	6600	1056,0	



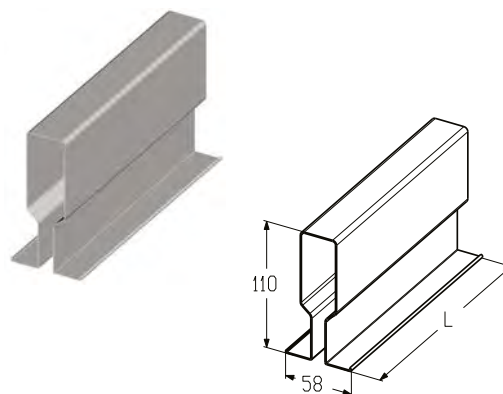
ПРОФИЛИ ДЛЯ ПОЛОТНА ВОРОТ

Профиль усиливающий

Используется в промышленных воротах всех типов монтажа шириной свыше 7 м.

Материалоцинкованная сталь
 Длина, мм.....8020
 Вес, кг/м..... 2,33
 Единица измерениям
 Норма поставки, м200,5

Арт.	Код	Розничная цена, евро с НДС
PRG110-8020	401436000	19,00

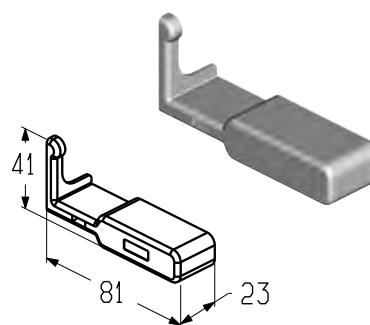


Заглушка

Устанавливается совместно с профилем усиливающим (PRG-19).

Материал.....ABS
 Вес, кг/м..... 0,01
 Единица измеренияшт.
 Норма поставки, шт..... 630

Арт.	Код	Примечание	Розничная цена, евро с НДС
P19R	401530500	Левая	0,60
P19L	401530400	Правая	

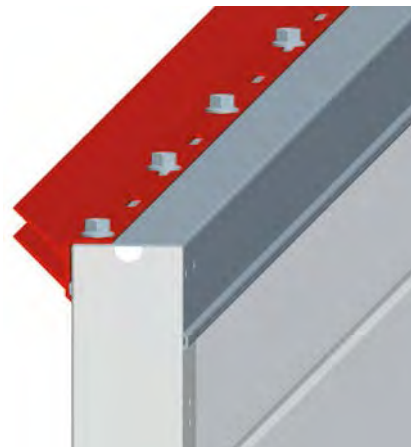


УСТАНОВКА ВСТАВКИ УПЛОТНИТЕЛЬНОЙ

Вставка уплотнительная нижняя



Вставка уплотнительная верхняя



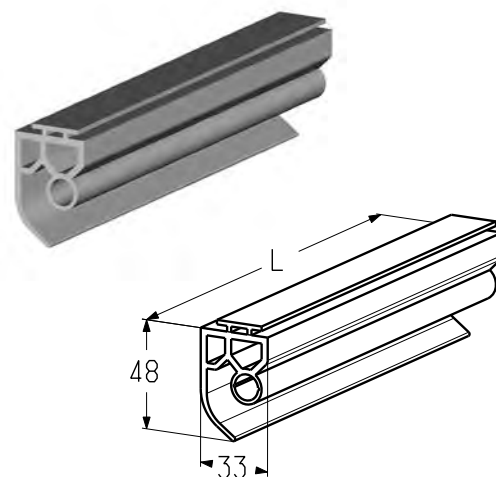
3.1

Вставка уплотнительная (нижняя)

Предназначена для герметизации нижней части проема. Устанавливается в профиль концевой нижней (PRG-11). Используется в гаражных и промышленных воротах всех типов монтажа.

Материал.....EPDM
 Вес, кг/м.....0,39
 Единица измерениям
 Норма поставки, м55

Арт.	Код	Розничная цена, евро с НДС
RSB10	401510600	8,30



Вставка уплотнительная (верхняя)

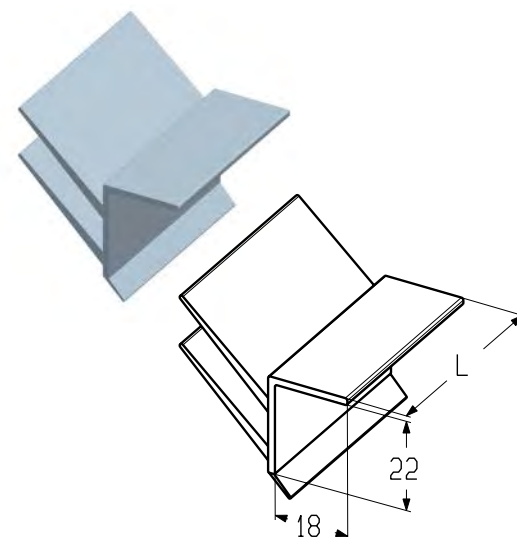
Предназначена для герметизации верхней части проема. Устанавливается совместно с профилем концевым верхним (PRG14, PRG15).

Используется:

- в гаражных воротах высокого типа монтажа;
- в промышленных воротах всех типов монтажа.

Материал.....RPVC+TPE
 Вес, кг/м.....0,30
 Единица измерениям
 Норма поставки, м180

Арт.	Код	Розничная цена, евро с НДС
RST01	401520100	8,50



АКСЕССУАРЫ ДЛЯ СЕКЦИОННЫХ ВОРОТ

УСТАНОВКА РУЧКИ ДЛЯ ГАРАЖНЫХ ВОРОТ

Внешняя сторона



Внутренняя сторона



Ручка

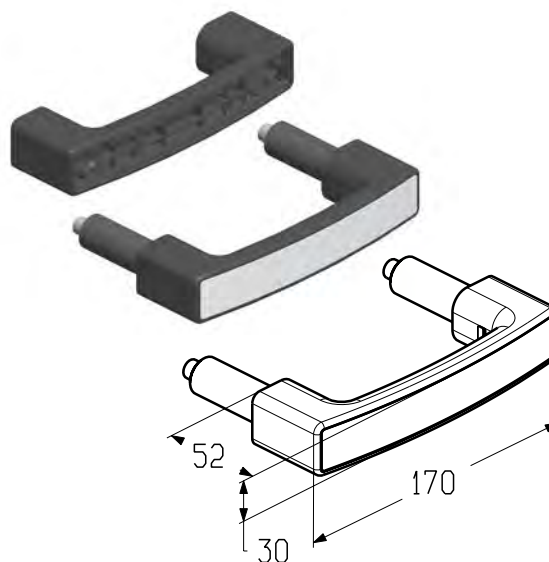
Предназначена для подъема полотна гаражных ворот всех типов монтажа.

В комплект входит:

- двухсторонняя ручка;
- крышка для внутренней ручки, цвет близкий к RAL9002.

Материал.....полиамид
 Цвет.....черный
 Вес, кг/м.....0,23
 Единица измеренияшт.
 Норма поставки, шт.....1

Арт.	Код	Розничная цена, евро с НДС
HGI006	407410100	16,00

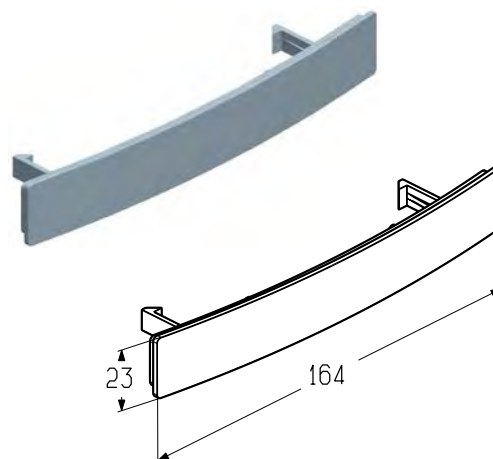


Крышка

Используется совместно с ручкой (HGI006).

Материал.....ABS
 Вес, кг/м.....0,01
 Единица измеренияшт.
 Норма поставки, шт.....400

Арт.	Код	Цвет*	Розничная цена, евро с НДС
HGI006.002.01	407430000	RAL9016	0,90
HGI006.002.02	407430100	RAL8014	
HGI006.002.03	407430200	RAL9006	
HGI006.002.04	407430300	RAL5010	
HGI006.002.09	407430400	RAL6005	
HGI006.002.10	407430500	RAL1015	
HGI006.002.12	407430600	RAL3004	
HGI006.002.15	407430700	RAL9002	
HGI006.002.16	407430800	RAL7016	
HGI006.002.17	407430900	RAL8017	
HGI006.002.18	407431000	RAL9005	



* Указанные цвета имеют близкое соответствие шкале RAL.

3.1

УСТАНОВКА РУЧКИ ДЛЯ СЕКЦИОННЫХ ВОРОТ
Ручка HG008

Внешняя сторона
Ручка HGI007

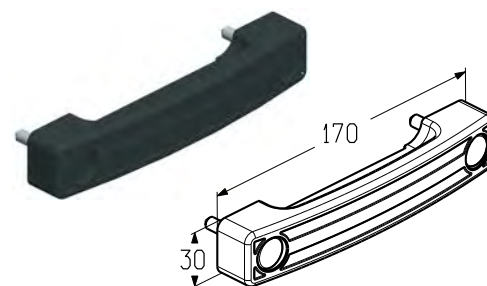
Внешняя сторона

Внутренняя сторона
Ручка

Предназначена для подъема полотна гаражных ворот всех типов монтажа без встроенной калитки. Устанавливается с внутренней стороны ворот.

Материал АВС
 Цвет черный
 Вес, кг/шт. 0,082
 Единица измерения шт.
 Норма поставки, шт. 1

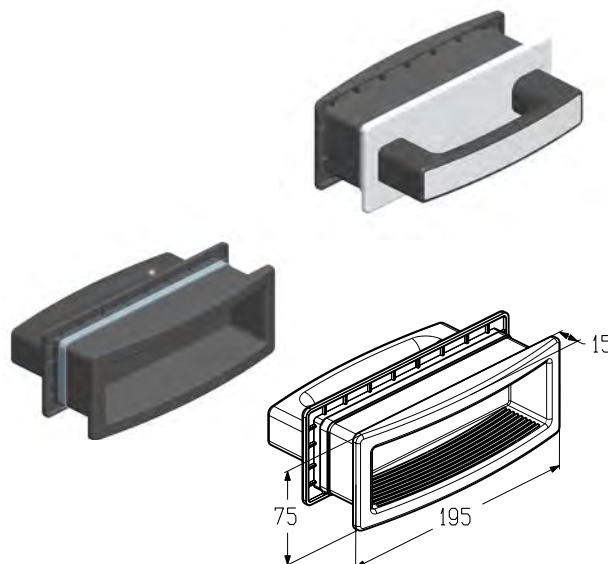
Арт.	Код	Розничная цена, евро с НДС
HG008	407410300	3,30


Ручка

Предназначена для подъема полотна промышленных ворот всех типов монтажа.

Материал полипропилен
 Цвет черный
 Вес, кг/шт. 0,59
 Единица измерения шт.
 Норма поставки, шт. 1

Арт.	Код	Розничная цена, евро с НДС
HGI007	407410200	26,50



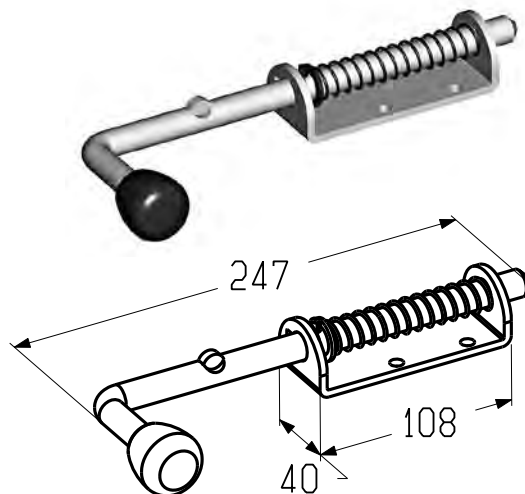
АКСЕССУАРЫ ДЛЯ СЕКЦИОННЫХ ВОРОТ

Засов

Предназначен для запираания гаражных и промышленных ворот всех типов монтажа.

Материал.....оцинкованная сталь
 Вес, кг/шт.....0,506
 Единица измеренияшт.
 Норма поставки, шт.....20

Арт.	Код	Розничная цена, евро с НДС
SB0100	401960000	7,10



Комплект механизма разблокировки

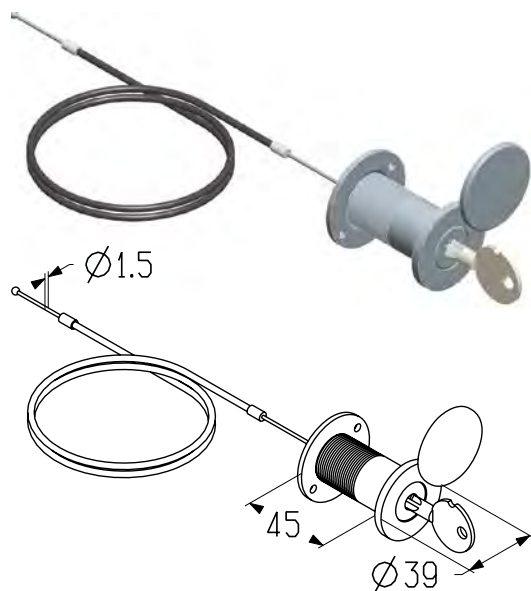
Предназначен для разблокировки электропривода реечного типа.

Используется:

- в гаражных воротах всех типов монтажа;
- в промышленных воротах низких типов монтажа.

Единица измеренияшт.
 Длина троса, мм4500
 Вес, кг/шт.....0,52
 Норма поставки, шт.....4

Арт.	Код	Розничная цена, евро с НДС
RM0104-4500	401971800	23,05



Трос разблокировки

Предназначен для разблокировки электропривода реечного типа. Используется совместно с ригельным замком RLG003.

В комплект входит:

- трос разблокировки;
- комплект крепежа (винты самонарезающие, скобы, хомуты).

Единица измеренияшт.
 Норма поставки, шт.....1

Арт.	Код	Длина, мм	Вес, кг/шт.	Розничная цена, евро с НДС
RK-4500	401971600	4500	0,56	16,90
RK-6000	401971700	6000	0,65	20,00



УСТАНОВКА УСТРОЙСТВА ЗАПИРАЮЩЕГО ДЛЯ ГАРАЖНЫХ ВОРОТ
Внешняя сторона
Внутренняя сторона

3.1
Устройство запирающее

Предназначено для запирания гаражных ворот.

В комплект входит:

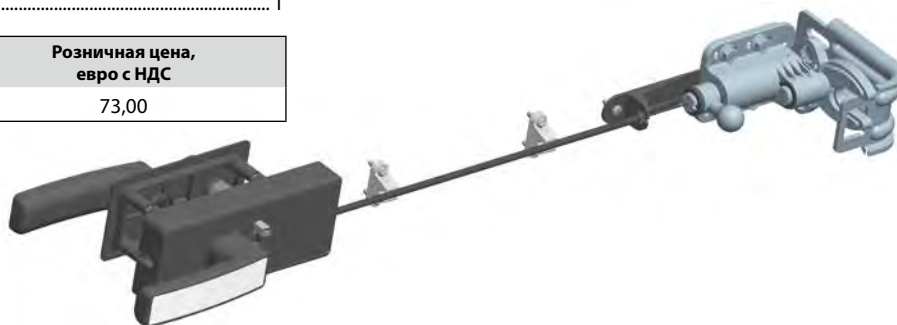
- устройство запирающее;
- крышка для внутренней ручки, цвет близкий RAL9002.

Вес, кг/шт. 2,8

Единица измерения шт.

Норма поставки, шт. 1

Арт.	Код	Розничная цена, евро с НДС
RLG003	407210000	73,00


Крышка

Используется совместно с устройством запирающим (RLG003).

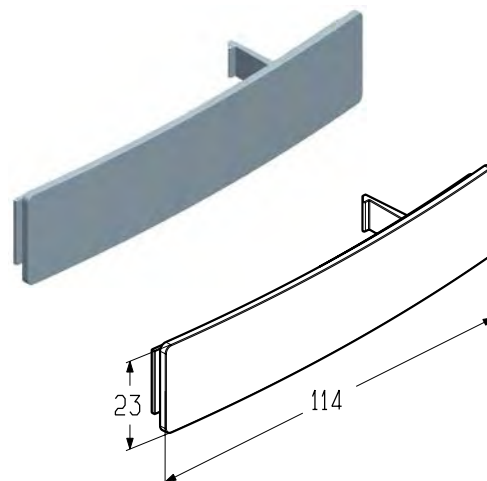
Материал ABS

Вес, кг/м 0,01

Единица измерения шт.

Норма поставки, шт. 1000

Арт.	Код	Цвет*	Розничная цена, евро с НДС
RLG003.226.01	407230000	RAL9016	0,75
RLG003.226.02	407230100	RAL8014	
RLG003.226.03	407230200	RAL9006	
RLG003.226.04	407230300	RAL5010	
RLG003.226.09	407230400	RAL6005	
RLG003.226.10	407230500	RAL1015	
RLG003.226.12	407230600	RAL3004	
RLG003.226.15	407230700	RAL9002	
RLG003.226.16	407230800	RAL7016	
RLG003.226.17	407230900	RAL8017	
RLG003.226.18	407231000	RAL9005	



* Указанные цвета имеют близкое соответствие шкале RAL.

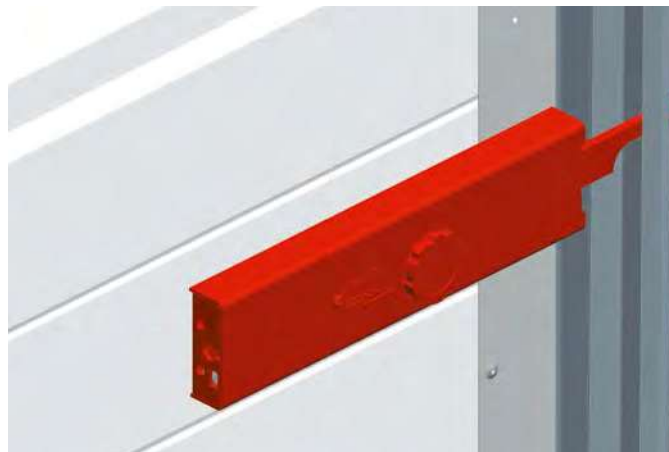
АКСЕССУАРЫ ДЛЯ СЕКЦИОННЫХ ВОРОТ

УСТАНОВКА ЗАМКА РИГЕЛЬНОГО ДЛЯ ПРОМЫШЛЕННЫХ ВОРОТ

Внешняя сторона



Внутренняя сторона

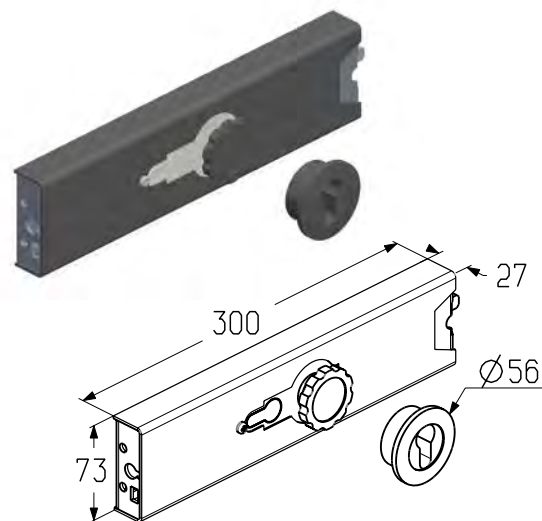


Замок ригельный

Предназначен для запираения промышленных ворот всех типов монтажа. Используется совместно с цилиндрическим механизмом 9/57 мм (С-9/57).

Вес, кг/шт. 1,85
Единица измерения шт.
Норма поставки, шт. 3

Арт.	Код	Розничная цена, евро с НДС
RLI0103	401970600	106,15

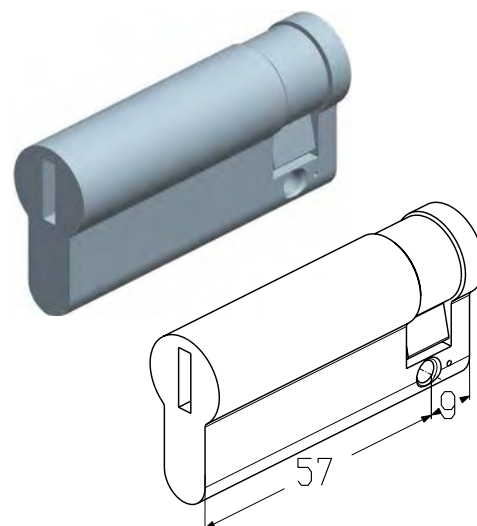


Цилиндрический механизм 9/57 мм

Предназначен для запираения промышленных ворот всех типов монтажа. Используется совместно с замком ригельным (RLI0103).

Вес, кг/шт. 0,25
Единица измерения шт.
Норма поставки, шт. 3

Арт.	Код	Розничная цена, евро с НДС
С-9/57	401970700	9,20



3.1

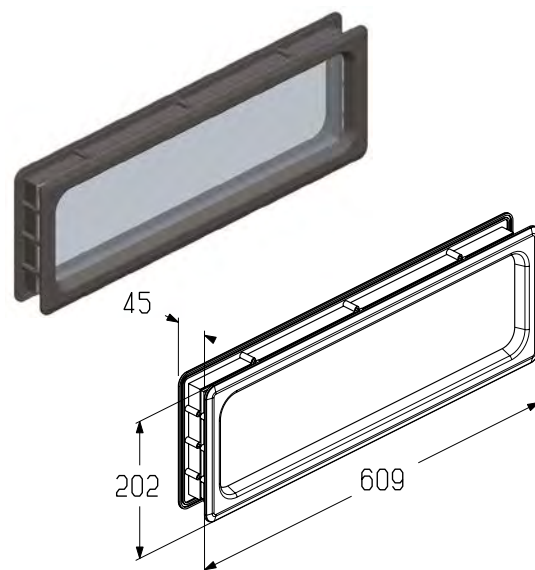
АКСЕССУАРЫ ДЛЯ СЕКЦИОННЫХ ВОРОТ

Вставка светопрозрачная

Используется в гаражных и промышленных воротах всех типов монтажа.

Материал SAN
 Вес, кг/шт. 1,3
 Единица измерения шт.
 Норма поставки, шт. 12

Арт.	Код	Розничная цена, евро с НДС
W085	401980400	81,50



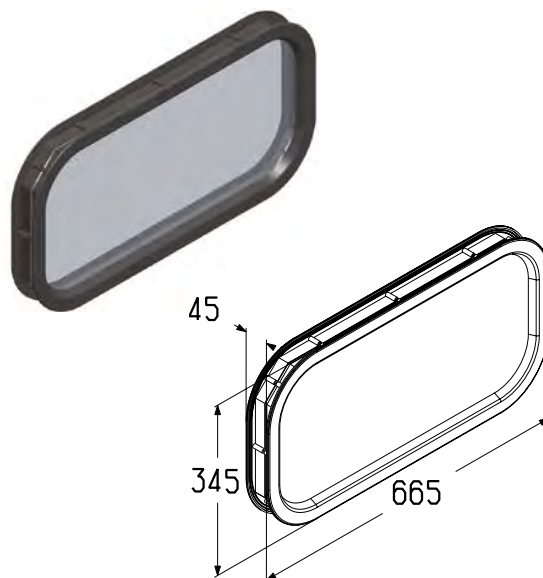
3.1

Вставка светопрозрачная

Используется в гаражных и промышленных воротах всех типов монтажа.

Материал SAN
 Вес, кг/шт. 2,1
 Единица измерения шт.
 Норма поставки, шт. 8

Арт.	Код	Розничная цена, евро с НДС
W095	401980500	84,60

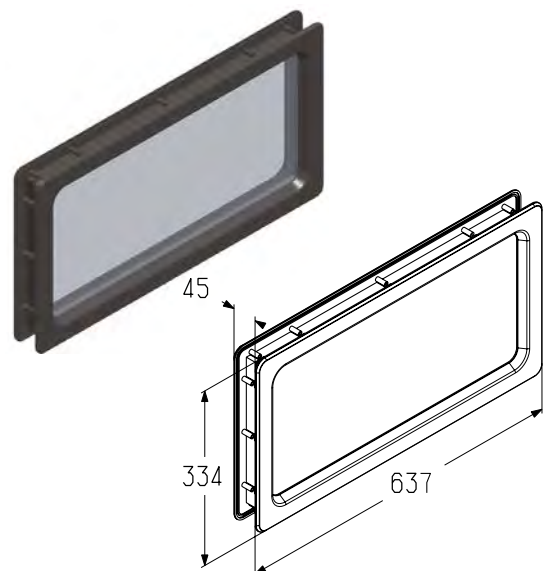


Вставка светопрозрачная

Используется в гаражных и промышленных воротах всех типов монтажа.

Материал SAN
 Вес, кг/шт. 2,3
 Единица измерения шт.
 Норма поставки, шт. 8

Арт.	Код	Розничная цена, евро с НДС
W046	401980100	84,60



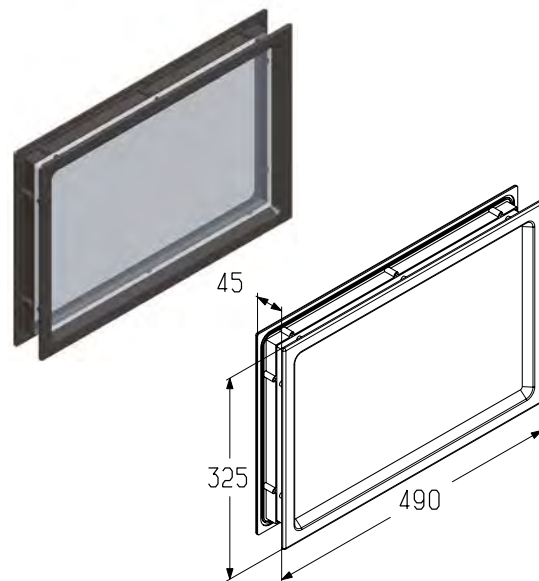
АКСЕССУАРЫ ДЛЯ СЕКЦИОННЫХ ВОРОТ

Вставка светопрозрачная

Используется в гаражных и промышленных воротах всех типов монтажа.

Материал SAN
 Вес, кг/шт. 1,5
 Единица измерения шт.
 Норма поставки, шт. 8

Арт.	Код	Примечание	Розничная цена, евро с НДС
W040WH	401980200	Белый	84,60
W040BR	401980300	Коричневый	84,60

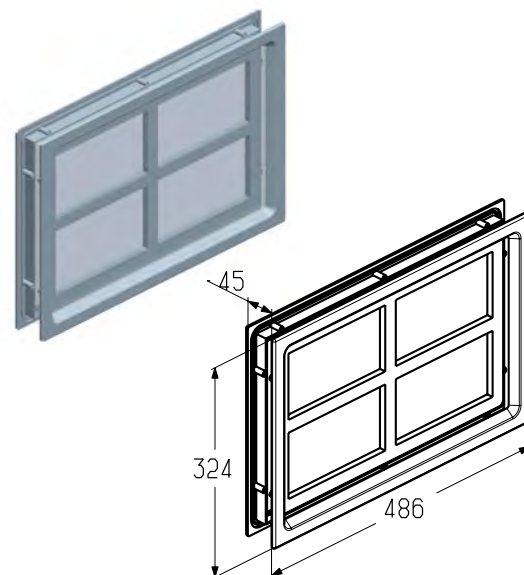


Вставка светопрозрачная декоративная Cross

Используется в гаражных и промышленных воротах всех типов монтажа.

Материал SAN
 Вес, кг/шт. 1,70
 Единица измерения шт.
 Норма поставки, шт. 8

Арт.	Код	Примечание	Розничная цена, евро с НДС
W041-WH	401981400	Белый	92,30
W041-BR	401981100	Коричневый	92,30

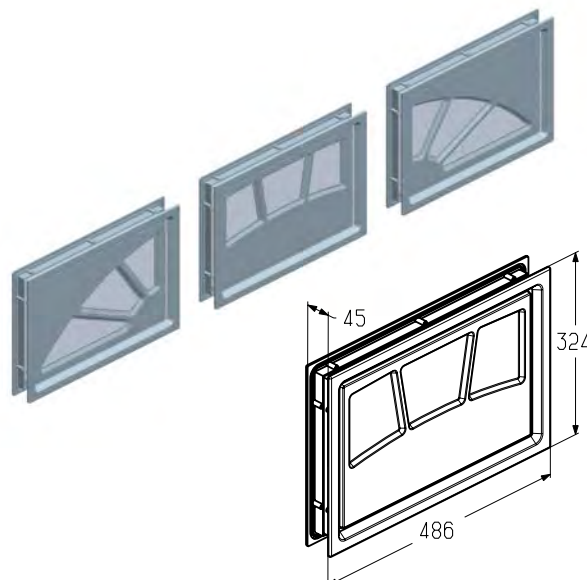


Комплект вставок светопрозрачных декоративных Sunburst 3

Используется в гаражных и промышленных воротах всех типов монтажа.
 В комплект входят 3 окна.

Материал SAN
 Вес, кг/шт. 5,10
 Единица измерения шт.
 Норма поставки, шт. 2

Арт.	Код	Примечание	Розничная цена, евро с НДС
W042-WH	401981200	Белый	289,20
W042-BR	401981300	Коричневый	289,20

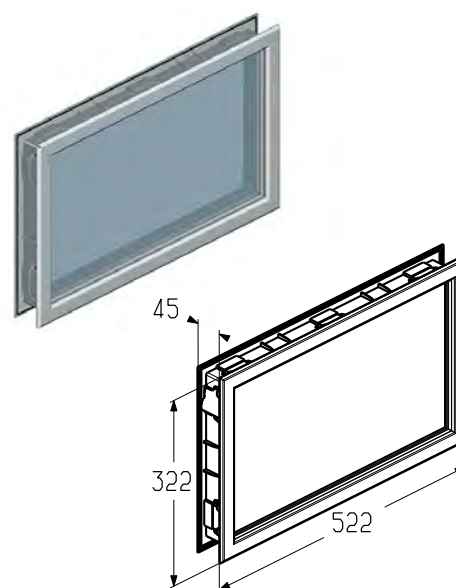


АКСЕССУАРЫ ДЛЯ СЕКЦИОННЫХ ВОРОТ
Окно

Используется в гаражных и промышленных воротах всех типов монтажа.

МатериалABS
 Вес, кг/шт.1,9
 Единица измеренияшт.
 Норма поставки, шт.10

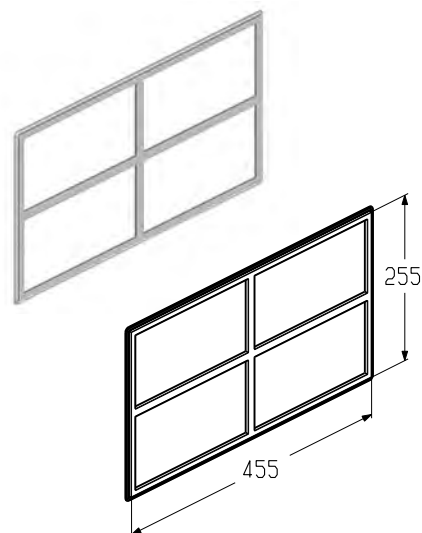
Арт.	Код	Цвет рамы	Тип остекления	Розничная цена, евро с НДС
W043WH-CG	401983000	Белый	Акриловое кристаллическое	80,00
W043WH-TG	401983100	Белый	Акриловое прозрачное	80,00
W043BR-CG	401983200	Коричневый	Акриловое кристаллическое	80,00
W043BR-TG	401983300	Коричневый	Акриловое прозрачное	80,00


3.1
Вставка декоративная Cross

Предназначена для установки совместно с вставкой светопрозрачной (W043WH-CG/TG, W043BR CG/TG). Используется в гаражных и промышленных воротах всех типов монтажа.

Вес, кг/шт.1,1
 Единица измеренияшт.
 Норма поставки, шт.80

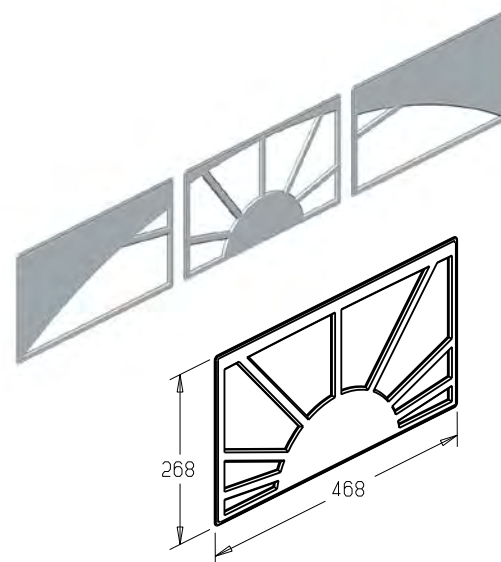
Арт.	Код	Примечание	Розничная цена, евро с НДС
DIC043WH	401983400	Белый	23,00
DIC043BR	401983500	Коричневый	23,00


Комплект вставок декоративных Sunrise 3

Предназначена для установки совместно с вставкой светопрозрачной (W043WH-CG/TG, W043BR CG/TG). Используется в гаражных и промышленных воротах всех типов монтажа.

Вес, кг/шт.0,49
 Единица измеренияшт.
 Норма поставки, шт.20

Арт.	Код	Примечание	Розничная цена, евро с НДС
DIS043WH-3	401982500	Белый	64,60
DIS043BR-3	401981900	Коричневый	64,60



АКСЕССУАРЫ ДЛЯ СЕКЦИОННЫХ ВОРОТ

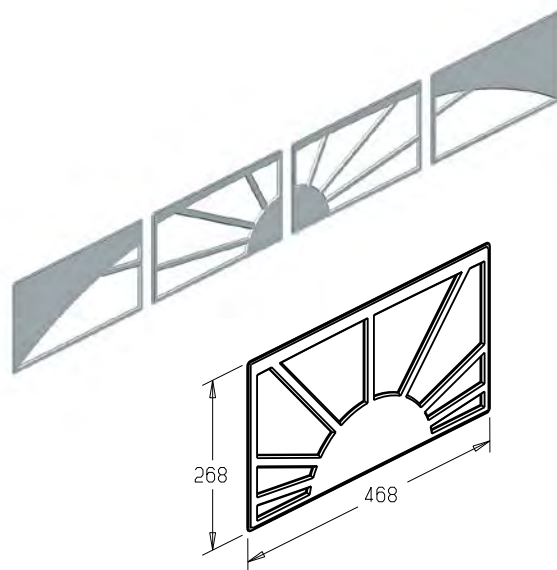
Комплект вставок декоративных Sunrise 4

Предназначена для установки совместно с вставкой светопрозрачной (W043WH-CG/TG, W043BR CG/TG).

Используется в гаражных и промышленных воротах всех типов монтажа.

Вес, кг/шт. 0,58
Единица измерения шт.
Норма поставки, шт. 20

Арт.	Код	Примечание	Розничная цена, евро с НДС
DIS043WH-4	401981500	Белый	89,20
DIS043BR-4	401982600	Коричневый	89,20

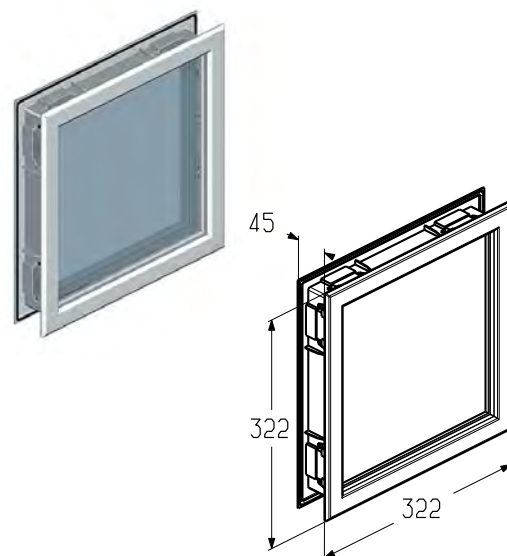


Окно

Используется в гаражных и промышленных воротах всех типов монтажа.

Материал ABS
Вес, кг/шт. 1,5
Единица измерения шт.
Норма поставки, шт. 10

Арт.	Код	Примечание	Розничная цена, евро с НДС
W050WH	401983600	Белый	73,85
W050BR	401983700	Коричневый	73,85

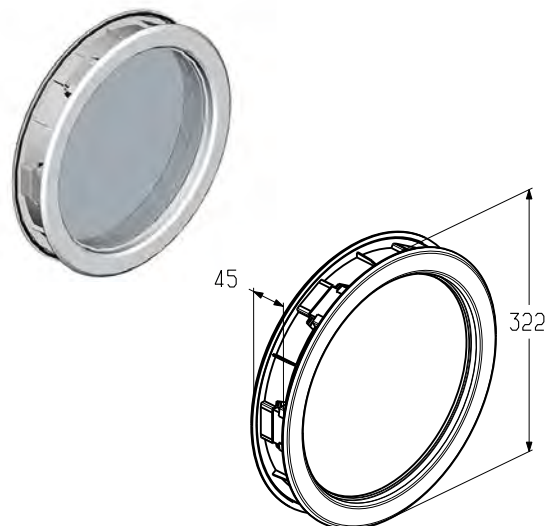


Окно

Используется в гаражных и промышленных воротах всех типов монтажа.

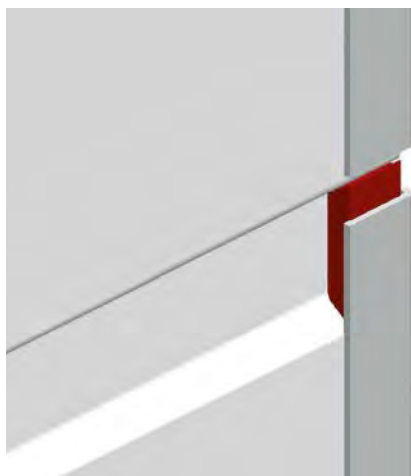
Материал ABS
Вес, кг/шт. 1,5
Единица измерения шт.
Норма поставки, шт. 10

Арт.	Код	Примечание	Розничная цена, евро с НДС
W060WH	401983800	Белый	80,00
W060BR	401983900	Коричневый	80,00



УСТАНОВКА ЗАГЛУШКИ МЕЖПАНЕЛЬНОЙ И ЗАГЛУШКИ

Заглушка межпанельная (P1013)



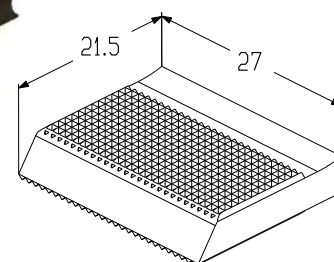
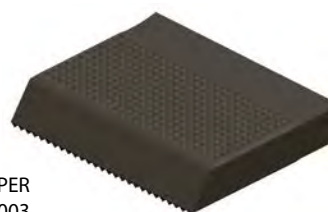
Заглушка (P-1502)



Заглушка

Устанавливается совместно с боковой накладкой (EC-450R/L, EC-500R/L, EC-625R/L). Используется в гаражных и промышленных воротах с рисунками полотна «S-гофр», «М-гофр» и «L-гофр».

Материал.....TPER
 Вес, кг/шт.....0,003
 Единица измеренияшт.
 Норма поставки, шт..... 10000

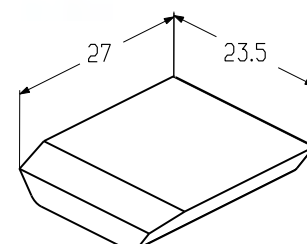
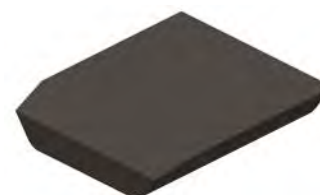


Арт.	Код	Розничная цена, евро с НДС
P-1501	401990100	0,30

Заглушка

Устанавливается совместно с боковой накладкой (EC-450R/L, EC-500R/L, EC-625R/L). Используется в гаражных воротах с пружинами растяжения и торсионными пружинами, промышленных воротах с рисунками полотна «S-гофр» и «М-гофр».

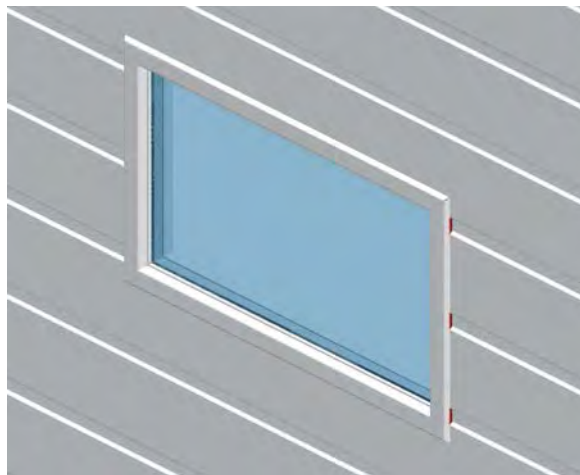
Материал.....TPER
 Вес, кг/шт.....0,001
 Единица измеренияшт.
 Норма поставки, шт..... 5000



Арт.	Код	Розничная цена, евро с НДС
P-1502	401990200	0,30

УСТАНОВКА ЗАГЛУШКИ ОКОННОЙ

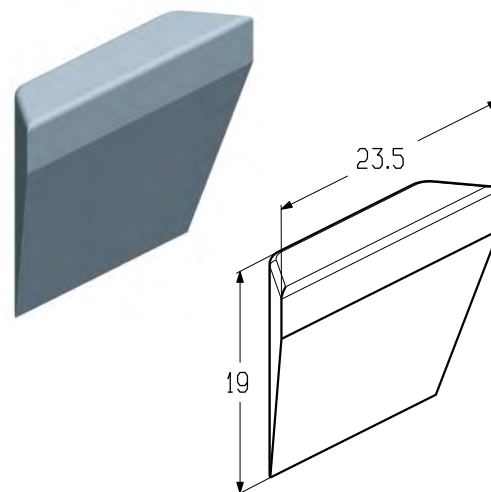
Заглушка оконная (арт. P1012)



Заглушка оконная

Устанавливается совместно со вставками светопрозрачными (W085, W095, W046, W040WH/BR, W041-WH/BR, W042-WH/BR).
Используется в гаражных и промышленных воротах с рисунками полотна «S-гофр» и «M-гофр».

Материал.....полиуретан
Вес, кг/шт.....0,002
Единица измеренияшт.
Норма поставки, шт.....6000



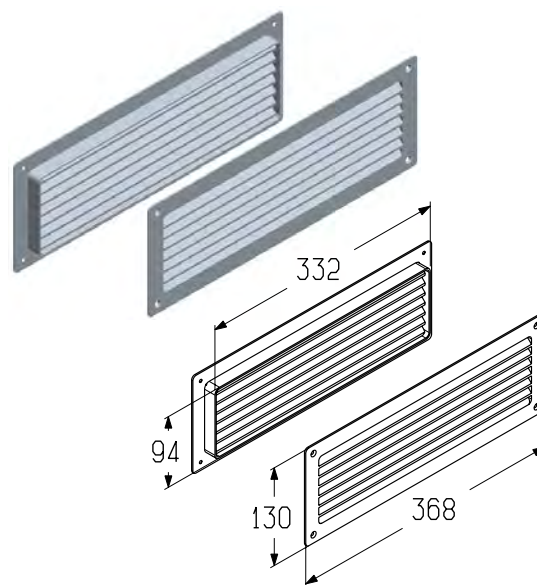
Арт.	Код	Розничная цена, евро с НДС
P1012	401982400	0,40

Решетка вентиляционная регулируемая (белая)
Решетка вентиляционная регулируемая (черная)

Используется в гаражных и промышленных воротах всех типов монтажа.

 Материалпластмасса
 Вес, кг/к-т..... 0,48
 Единица измеренияк-т
 Норма поставки, к-т..... 10

Арт.	Код	Примечание	Розничная цена, евро с НДС
VG-368RWH	401900000	Белый	23,00
VG-368RBK	401900100	Черный	23,00



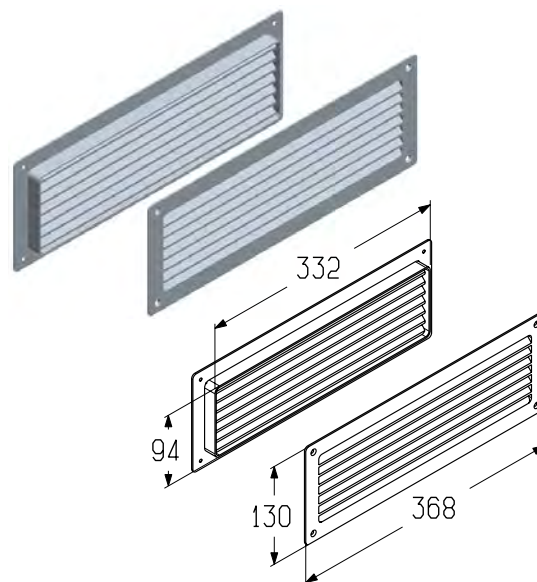
3.1

Решетка вентиляционная нерегулируемая (белая)
Решетка вентиляционная нерегулируемая (черная)

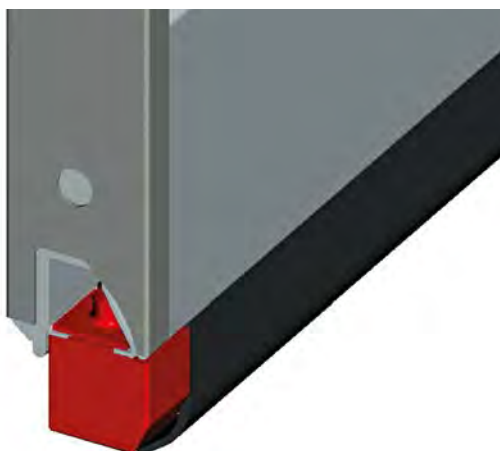
Используется в гаражных и промышленных воротах всех типов монтажа.

 Материалпластмасса
 Вес, кг/к-т..... 0,45
 Единица измеренияк-т
 Норма поставки, к-т..... 10

Арт.	Код	Примечание	Розничная цена, евро с НДС
VG-368WH	401900200	Белый	18,45
VG-368BK	401900300	Черный	18,45



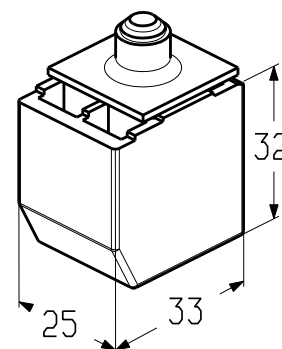
УСТАНОВКА УПОРА НИЖНЕГО



Упор нижний

Предназначен для установки в профиль воротный нижний (PRG-11).
Используется в гаражных и промышленных воротах всех типов монтажа.

Материал HDPE
Вес, кг/м 0,043
Единица измерения шт.
Норма поставки, шт. 60



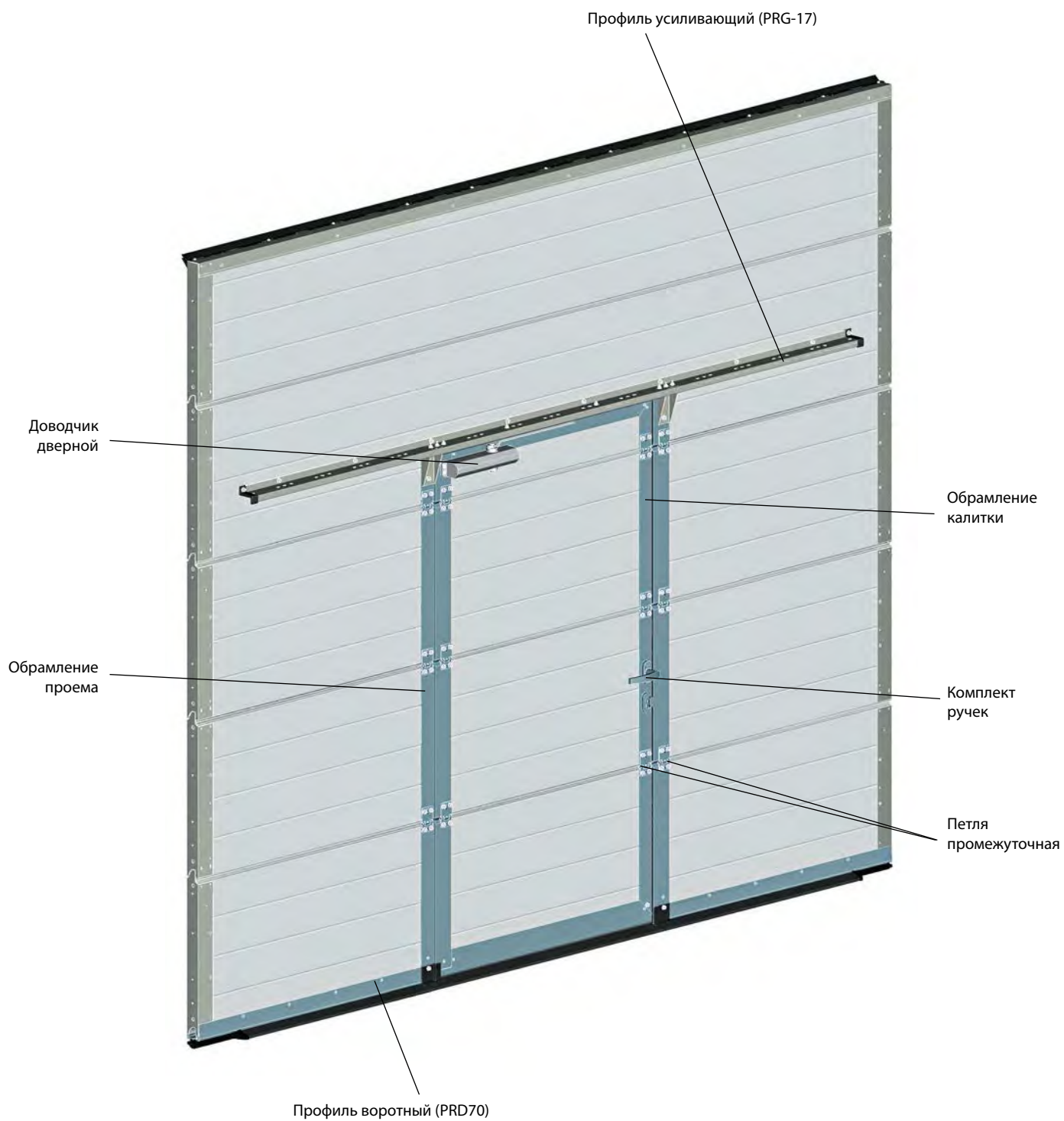
Арт.	Код	Розничная цена, евро с НДС
LS1016	401940300	1,00



ВСТРОЕННАЯ КАЛИТКА

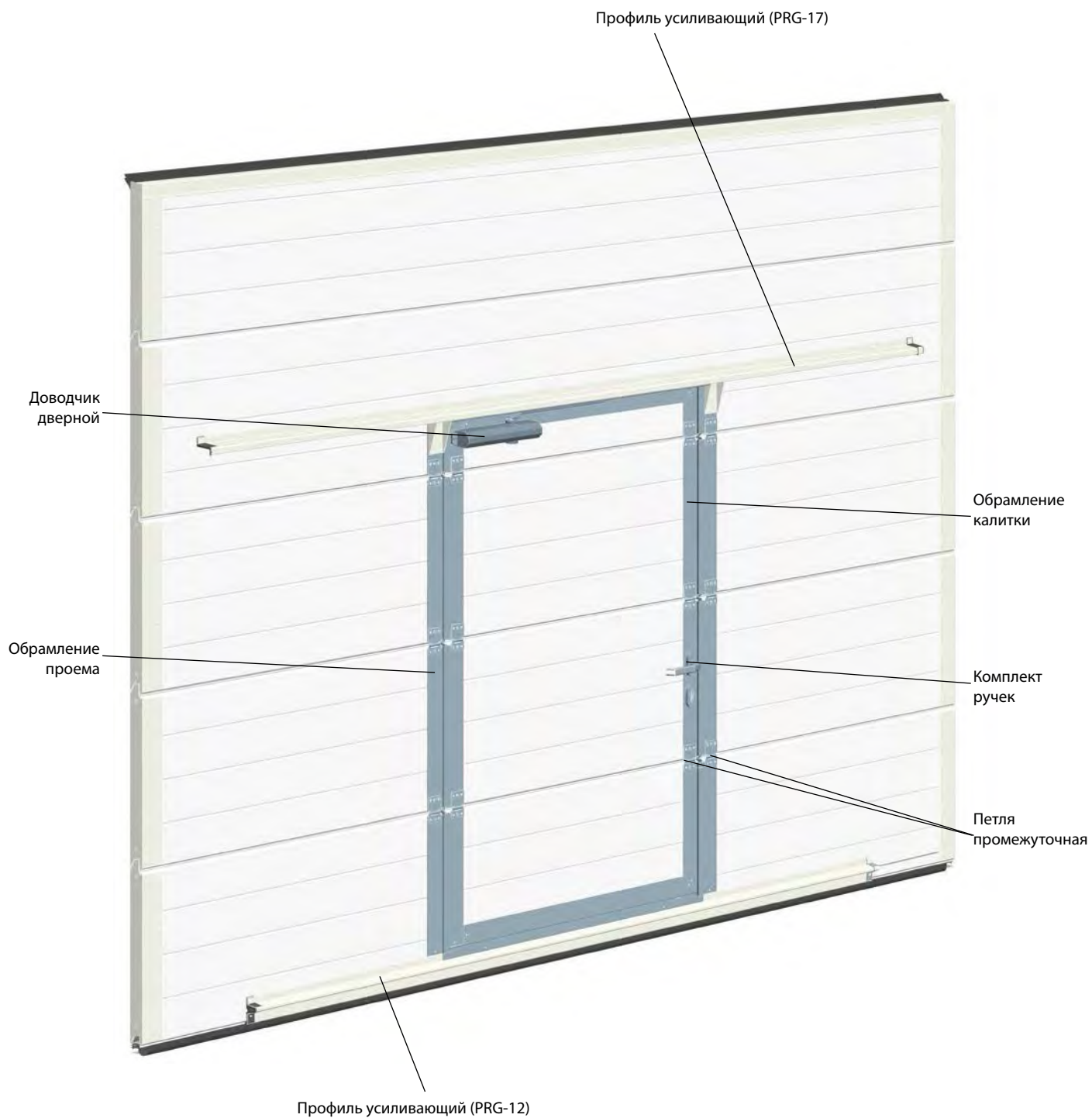
ТИПОВАЯ КОНСТРУКЦИЯ КАЛИТКИ С ПЛОСКИМ ПОРОГОМ 20 ММ

3.2



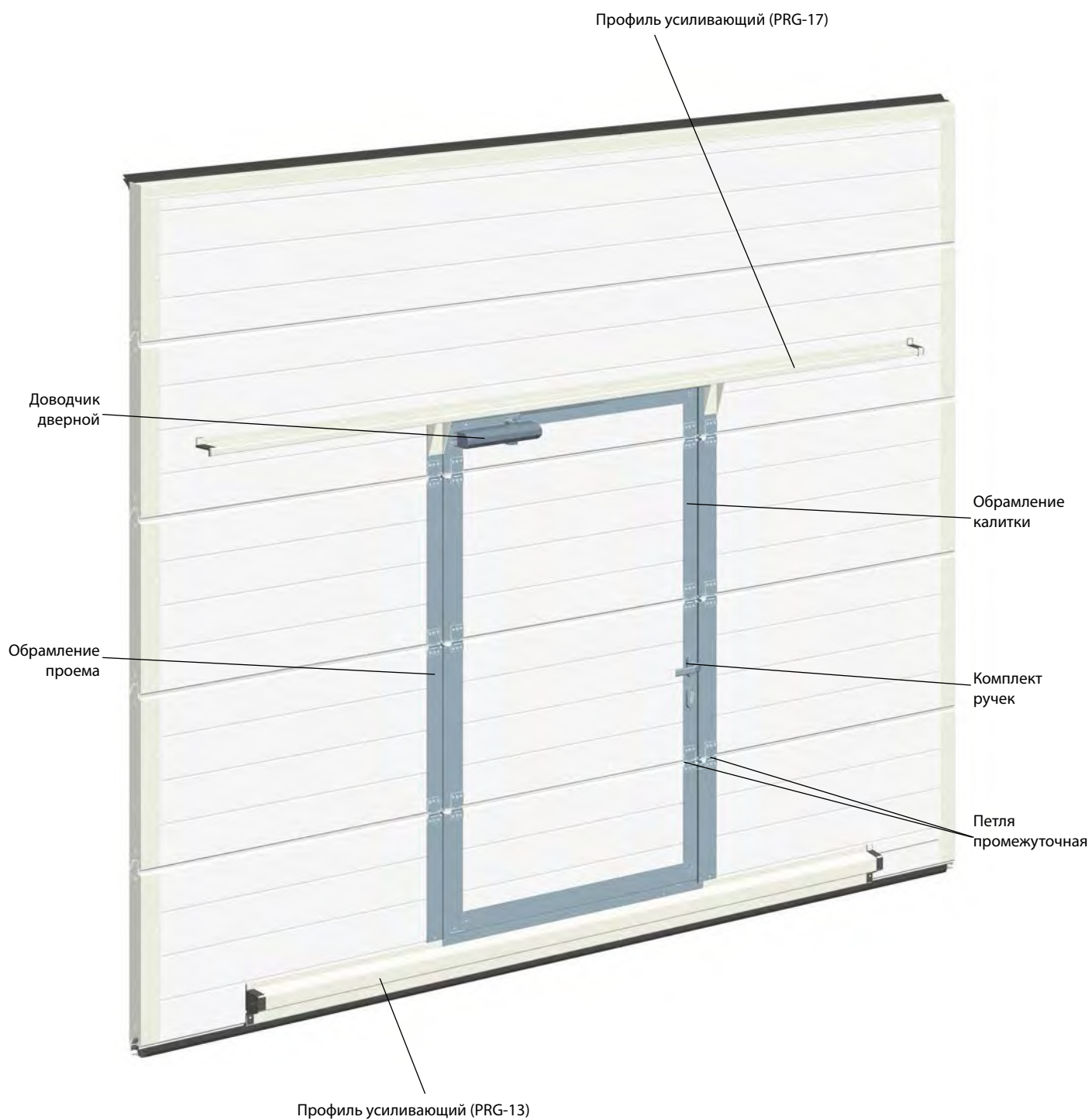
ВСТРОЕННАЯ КАЛИТКА

ТИПОВАЯ КОНСТРУКЦИЯ КАЛИТКИ С ПОРОГОМ ВЫСОТОЙ 100 ММ



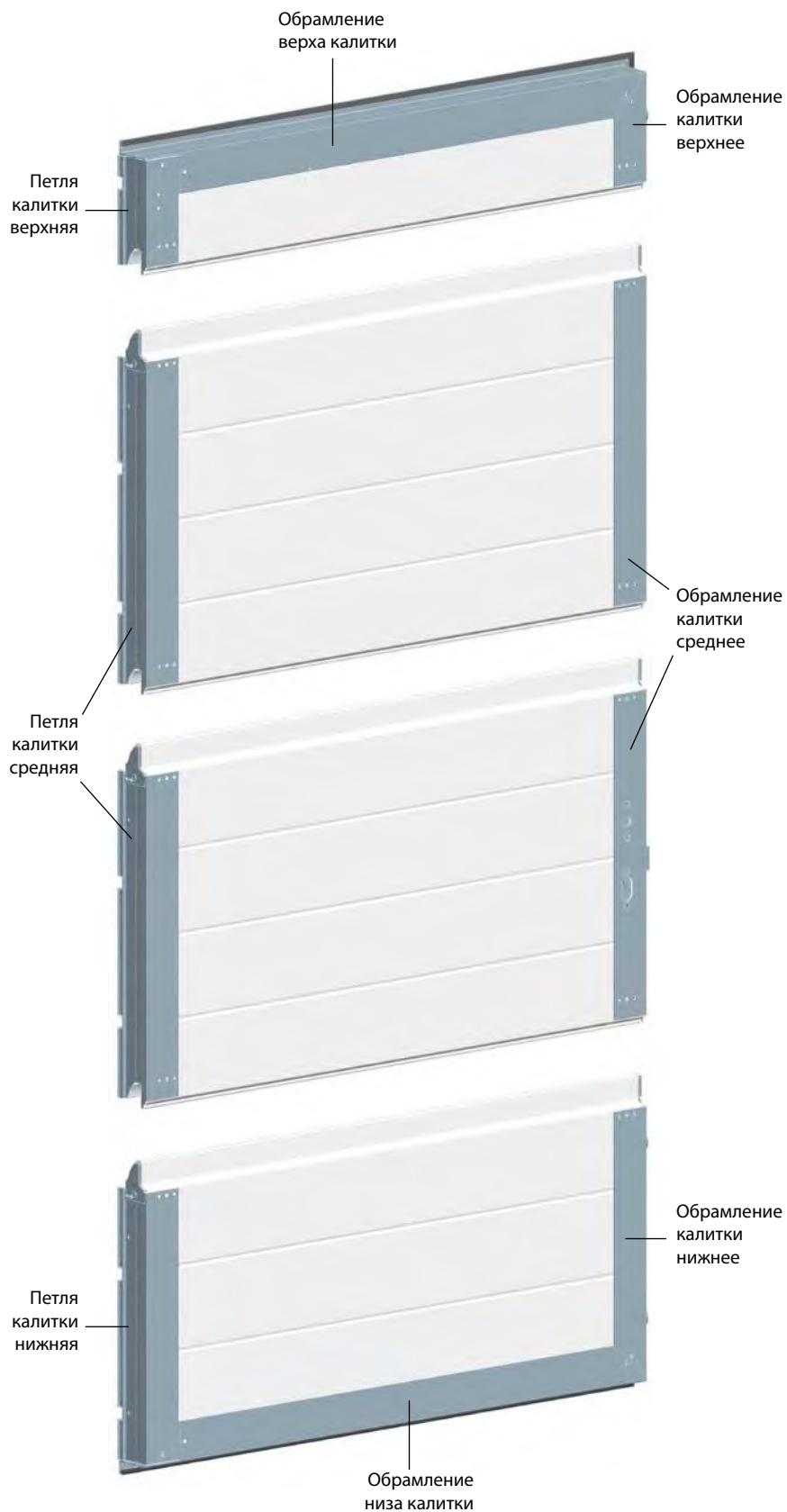
ТИПОВАЯ КОНСТРУКЦИЯ КАЛИТКИ С ПОРОГОМ ВЫСОТОЙ 145 ММ

3.2



ОБРАМЛЕНИЕ КАЛИТКИ

УСТАНОВКА ПРОФИЛЕЙ ОБРАМЛЕНИЯ КАЛИТКИ

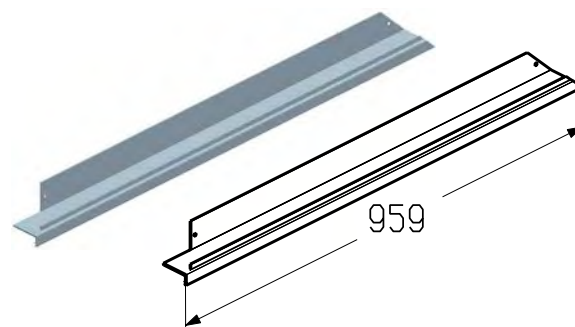


3.2

ОБРАМЛЕНИЕ КАЛИТКИ
Обрамление верха калитки

Предназначено для обрамления верхней калиточной панели.
Используется в калитке с плоским, стандартным и низким порогом.

Длина, мм 959
 Материал алюминий
 Вес, кг/шт. 0,751
 Единица измерения шт.
 Норма поставки, шт. 10

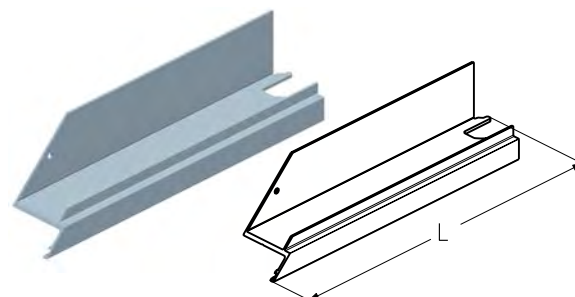


Арт.	Код	Покрытие	Цвет	Применение	Розничная цена, евро с НДС
WD403R.203	404010891	Анодированное	A00-D6 (серебро)	Для ворот с правой калиткой	19,00
WD403R.203	404011333	Порошковое	близкий RAL8019		
WD403L.203	404010991	Анодированное	A00-D6 (серебро)	Для ворот с левой калиткой	
WD403L.203	404011433	Порошковое	близкий RAL8019		

Обрамление калитки верхнее

Предназначено для обрамления верхней калиточной панели.
Используется в калитке с плоским, стандартным и низким порогом.

Материал алюминий
 Единица измерения шт.
 Норма поставки, шт. 10

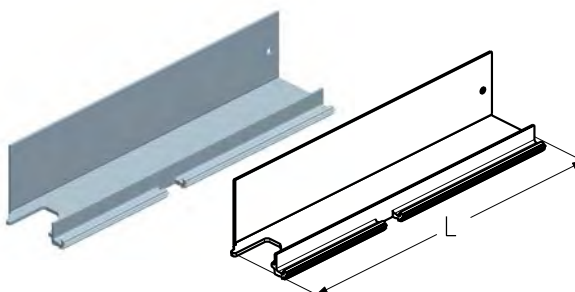


Арт.	Код	Покрытие	Цвет	Длина, мм	Вес, кг/шт.	Применение	Розничная цена, евро с НДС
WD403R.202	404010491	Анодированное	A00-D6 (серебро)	191	0,136	Для ворот с правой калиткой	5,50
WD403R.202	404011033	Порошковое	близкий RAL8019	191	0,136		5,50
WD404R.202	404010691	Анодированное	A00-D6 (серебро)	316	0,225		7,50
WD404R.202	404011133	Порошковое	близкий RAL8019	316	0,225		7,50
WD403L.202	404010591	Анодированное	A00-D6 (серебро)	191	0,136	Для ворот с левой калиткой	5,50
WD403L.202	404011533	Порошковое	близкий RAL8019	191	0,136		5,50
WD404L.202	404010791	Анодированное	A00-D6 (серебро)	316	0,225		7,50
WD404L.202	404011233	Порошковое	близкий RAL8019	316	0,225		7,50

Петля калитки верхняя

Предназначена для обрамления верхней калиточной панели.
Используется в калитке с плоским, стандартным и низким порогом.

Материал алюминий
 Единица измерения шт.
 Норма поставки, шт. 10



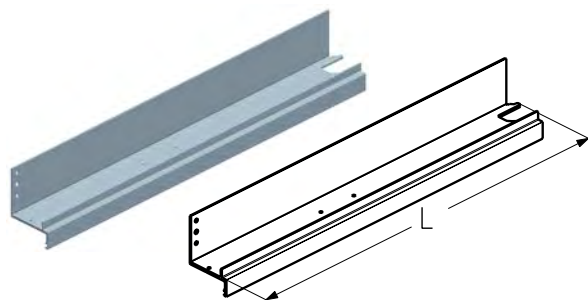
Арт.	Код	Покрытие	Цвет	Длина, мм	Вес, кг/шт.	Применение	Розничная цена, евро с НДС
WD403R.201	404010091	Анодированное	A00-D6 (серебро)	169	0,129	Для ворот с правой калиткой	6,00
WD403R.201	404010633	Порошковое	близкий RAL8019	169	0,129		6,00
WD404R.201	404010291	Анодированное	A00-D6 (серебро)	294	0,225		8,50
WD404R.201	404010833	Порошковое	близкий RAL8019	294	0,225		8,50
WD403L.201	404010191	Анодированное	A00-D6 (серебро)	169	0,129	Для ворот с левой калиткой	6,00
WD403L.201	404010733	Порошковое	близкий RAL8019	169	0,129		6,00
WD404L.201	404010391	Анодированное	A00-D6 (серебро)	294	0,225		8,50
WD404L.201	404010933	Порошковое	близкий RAL8019	294	0,225		8,50

ОБРАМЛЕНИЕ КАЛИТКИ

Обрамление калитки среднее

Предназначено для обрамления третьей калиточной панели.
Используется в калитке с плоским, стандартным и низким порогом.

Материалалюминий
Единица измеренияшт.
Норма поставки, шт.10

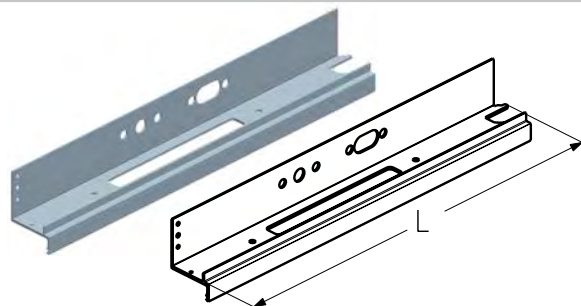


Арт.	Код	Покрытие	Цвет	Длина, мм	Вес, кг/шт.	Применение	Розничная цена, евро с НДС
WD350R.202	404021291	Анодированное	A00-D6 (серебро)	490,5	0,393	Для ворот с правой калиткой	10,50
WD350R.202	404021833	Порошковое	близкий RAL8019	490,5	0,393		10,50
WD360R.202	404021491	Анодированное	A00-D6 (серебро)	615,5	0,493		13,00
WD360R.202	404022033	Порошковое	близкий RAL8019	615,5	0,493		13,00
WD350L.202	404021391	Анодированное	A00-D6 (серебро)	490,5	0,393	Для ворот с левой калиткой	10,50
WD350L.202	404021933	Порошковое	близкий RAL8019	490,5	0,393		10,50
WD360L.202	404021591	Анодированное	A00-D6 (серебро)	615,5	0,493		13,00
WD360L.202	404022133	Порошковое	близкий RAL8019	615,5	0,493		13,00

Обрамление калитки среднее

Предназначено для обрамления второй калиточной панели.
Используется в калитке с плоским, стандартным и низким порогом.

Материалалюминий
Единица измеренияшт.
Норма поставки, шт.10

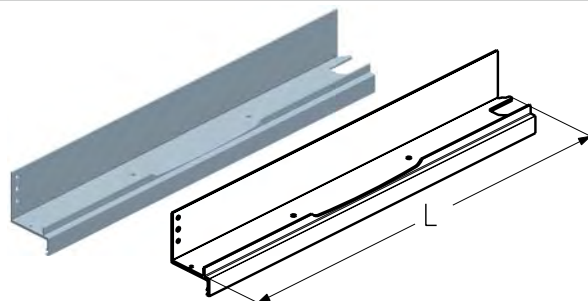


Арт.	Код	Покрытие	Цвет	Длина, мм	Вес, кг/шт.	Применение	Розничная цена, евро с НДС
WD250R.202	404020491	Анодированное	A00-D6 (серебро)	490,5	0,365	Для ворот с правой калиткой	11,00
WD250R.202	404021033	Порошковое	близкий RAL8019	490,5	0,365		11,00
WD260R.202	404020691	Анодированное	A00-D6 (серебро)	615,5	0,458		13,00
WD260R.202	404021233	Порошковое	близкий RAL8019	615,5	0,458		13,00
WD250L.202	404020591	Анодированное	A00-D6 (серебро)	490,5	0,365	Для ворот с левой калиткой	11,00
WD250L.202	404021133	Порошковое	близкий RAL8019	490,5	0,365		11,00
WD260L.202	404020791	Анодированное	A00-D6 (серебро)	615,5	0,458		13,00
WD260L.202	404021333	Порошковое	близкий RAL8019	615,5	0,458		13,00

Обрамление калитки среднее

Предназначено для обрамления второй калиточной панели.
Используется в калитке с плоским, стандартным и низким порогом с замком «анти-паник».

Материалалюминий
Единица измеренияшт.
Норма поставки, шт.10

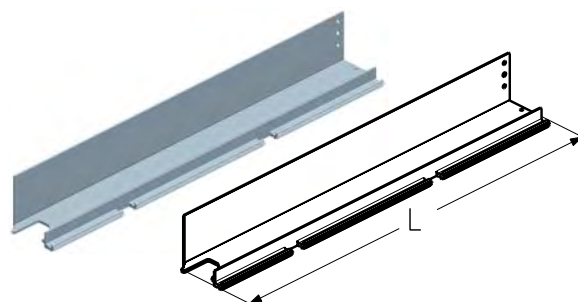


Арт.	Код	Покрытие	Цвет	Длина, мм	Вес, кг/шт.	Применение	Розничная цена, евро с НДС
WD250RA.202	404020891	Анодированное	A00-D6 (серебро)	490,5	0,387	Для ворот с правой калиткой	11,00
WD250RA.202	404021433	Порошковое	близкий RAL8019	490,5	0,387		11,00
WD260RA.202	404021091	Анодированное	A00-D6 (серебро)	615,5	0,485		13,00
WD260RA.202	404021633	Порошковое	близкий RAL8019	615,5	0,485		13,00
WD250LA.202	404020991	Анодированное	A00-D6 (серебро)	490,5	0,387	Для ворот с левой калиткой	11,00
WD250LA.202	404021533	Порошковое	близкий RAL8019	490,5	0,387		11,00
WD260LA.202	404021191	Анодированное	A00-D6 (серебро)	615,5	0,485		13,00
WD260LA.202	404021733	Порошковое	близкий RAL8019	615,5	0,485		13,00

ОБРАМЛЕНИЕ КАЛИТКИ
Петля калитки средняя

Предназначена для обрамления третьей и второй калиточной панели.
Используется в калитке с плоским, стандартным и низким порогом.

Материалалюминий
 Единица измеренияшт.
 Норма поставки, шт.10

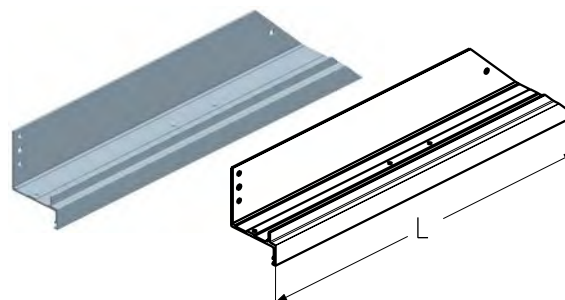


Арт.	Код	Покрытие	Цвет	Длина, мм	Вес, кг/шт.	Применение	Розничная цена, евро с НДС
WD250R.201	404020091	Анодированное	A00-D6 (серебро)	490,5	0,385	Для ворот с правой калиткой	12,00
WD250R.201	404020633	Порошковое	близкий RAL8019	490,5	0,385		12,00
WD260R.201	404020291	Анодированное	A00-D6 (серебро)	615,5	0,483		14,50
WD260R.201	404020833	Порошковое	близкий RAL8019	615,5	0,483		14,50
WD250L.201	404020191	Анодированное	A00-D6 (серебро)	490,5	0,385	Для ворот с левой калиткой	12,00
WD250L.201	404020733	Порошковое	близкий RAL8019	490,5	0,385		12,00
WD260L.201	404020391	Анодированное	A00-D6 (серебро)	615,5	0,483		14,50
WD260L.201	404020933	Порошковое	близкий RAL8019	615,5	0,483		14,50

Обрамление калитки нижнее

Предназначено для обрамления нижней калиточной панели.
Используется в калитке со стандартным порогом.

Материалалюминий
 Единица измеренияшт.
 Норма поставки, шт.10

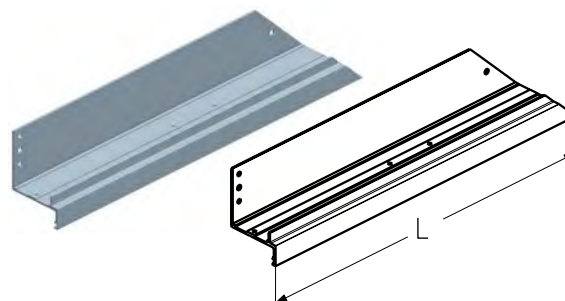


Арт.	Код	Покрытие	Цвет	Длина, мм	Вес, кг/шт.	Применение	Розничная цена, евро с НДС
WD152R.202	404031091	Анодированное	A00-D6 (серебро)	377	0,291	Для ворот с правой калиткой	9,00
WD152R.202	404031633	Порошковое	близкий RAL8019	377	0,291		9,00
WD162R.202	404031491	Анодированное	A00-D6 (серебро)	502	0,388		11,00
WD162R.202	404032033	Порошковое	близкий RAL8019	502	0,388		11,00
WD152L.202	404031191	Анодированное	A00-D6 (серебро)	377	0,291	Для ворот с левой калиткой	9,00
WD152L.202	404031733	Порошковое	близкий RAL8019	377	0,291		9,00
WD162L.202	404031591	Анодированное	A00-D6 (серебро)	502	0,388		11,00
WD162L.202	404032133	Порошковое	близкий RAL8019	502	0,388		11,00

Обрамление калитки нижнее

Предназначено для обрамления нижней калиточной панели.
Используется в калитке с низким порогом.

Материалалюминий
 Единица измеренияшт.
 Норма поставки, шт.10



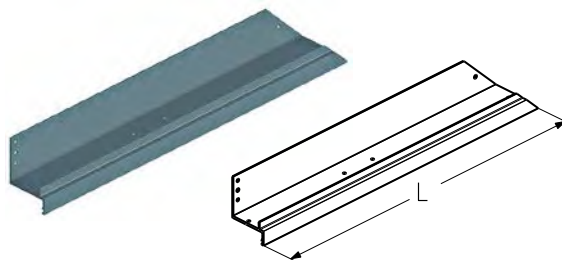
Арт.	Код	Покрытие	Цвет	Длина, мм	Вес, кг/шт.	Применение	Розничная цена, евро с НДС
WD151R.202	404030891	Анодированное	A00-D6 (серебро)	422	0,326	Для ворот с правой калиткой	9,50
WD151R.202	404031433	Порошковое	близкий RAL8019	422	0,326		9,50
WD161R.202	404031291	Анодированное	A00-D6 (серебро)	547	0,470		12,00
WD161R.202	404031833	Порошковое	близкий RAL8019	547	0,470		12,00
WD151L.202	404030991	Анодированное	A00-D6 (серебро)	422	0,326	Для ворот с левой калиткой	9,50
WD151L.202	404031533	Порошковое	близкий RAL8019	422	0,326		9,50
WD161L.202	404031391	Анодированное	A00-D6 (серебро)	547	0,470		12,00
WD161L.202	404031933	Порошковое	близкий RAL8019	547	0,470		12,00

ОБРАМЛЕНИЕ КАЛИТКИ

Обрамление калитки нижнее

Предназначено для обрамления нижней калиточной панели.
Используется в калитке с плоским порогом.

Материалалюминий
Единица измеренияшт.
Норма поставки, шт.10

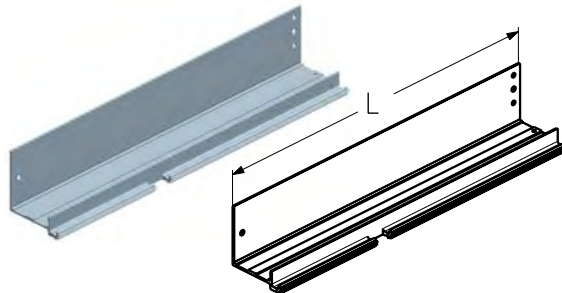


Арт.	Код	Покрытие	Цвет	Длина, мм	Вес, кг/шт.	Применение	Розничная цена, евро с НДС
WD-153R.202	404232891	Анодированное	A00-D6 (серебро)	488,5	0,379	Для ворот с правой калиткой	11,00
WD-153R.202	404232833	Порошковое	близкий RAL8019	488,5	0,379		11,00
WD-163R.202	404232991	Анодированное	A00-D6 (серебро)	613,5	0,483		13,00
WD-163R.202	404232933	Порошковое	близкий RAL8019	613,5	0,483		13,00
WD-153L.202	404032191	Анодированное	A00-D6 (серебро)	488,5	0,379	Для ворот с левой калиткой	11,00
WD-153L.202	404032733	Порошковое	близкий RAL8019	488,5	0,379		11,00
WD-163L.202	404031991	Анодированное	A00-D6 (серебро)	613,5	0,483		13,00
WD-163L.202	404032533	Порошковое	близкий RAL8019	613,5	0,483		13,00

Петля калитки нижняя

Предназначена для обрамления нижней калиточной панели.
Используется в калитке со стандартным порогом.

Материалалюминий
Единица измеренияшт.
Норма поставки, шт.10

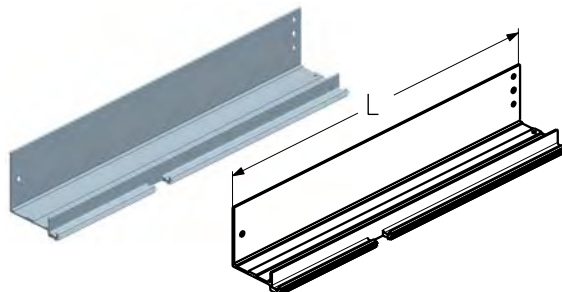


Арт.	Код	Покрытие	Цвет	Длина, мм	Вес, кг/шт.	Применение	Розничная цена, евро с НДС
WD152R.201	404030291	Анодированное	A00-D6 (серебро)	355	0,287	Для ворот с правой калиткой	9,50
WD152R.201	404030833	Порошковое	близкий RAL8019	355	0,287		9,50
WD162R.201	404030691	Анодированное	A00-D6 (серебро)	480	0,387		12,00
WD162R.201	404031233	Порошковое	близкий RAL8019	480	0,387		12,00
WD152L.201	404030391	Анодированное	A00-D6 (серебро)	355	0,287	Для ворот с левой калиткой	9,50
WD152L.201	404030933	Порошковое	близкий RAL8019	355	0,287		9,50
WD162L.201	404030791	Анодированное	A00-D6 (серебро)	480	0,387		12,00
WD162L.201	404031333	Порошковое	близкий RAL8019	480	0,387		12,00

Петля калитки нижняя

Предназначена для обрамления нижней калиточной панели.
Используется в калитке с низким порогом.

Материалалюминий
Единица измеренияшт.
Норма поставки, шт.10

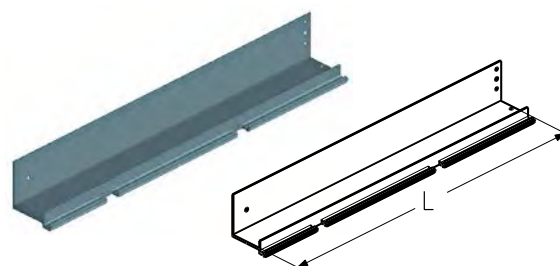


Арт.	Код	Покрытие	Цвет	Длина, мм	Вес, кг/шт.	Применение	Розничная цена, евро с НДС
WD151R.201	404030091	Анодированное	A00-D6 (серебро)	400	0,323	Для ворот с правой калиткой	10,50
WD151R.201	404030633	Порошковое	близкий RAL8019	400	0,323		10,50
WD161R.201	404030491	Анодированное	A00-D6 (серебро)	525	0,424		13,00
WD161R.201	404031033	Порошковое	близкий RAL8019	525	0,424		13,00
WD151L.201	404030191	Анодированное	A00-D6 (серебро)	400	0,323	Для ворот с левой калиткой	10,50
WD151L.201	404030733	Порошковое	близкий RAL8019	400	0,323		10,50
WD161L.201	404030591	Анодированное	A00-D6 (серебро)	525	0,424		13,00
WD161L.201	404031133	Порошковое	близкий RAL8019	525	0,424		13,00

ОБРАМЛЕНИЕ КАЛИТКИ
Петля калитки нижняя

Предназначено для обрамления нижней калиточной панели.
Используется в калитке с плоским порогом.

Материалалюминий
 Единица измеренияшт.
 Норма поставки, шт.10

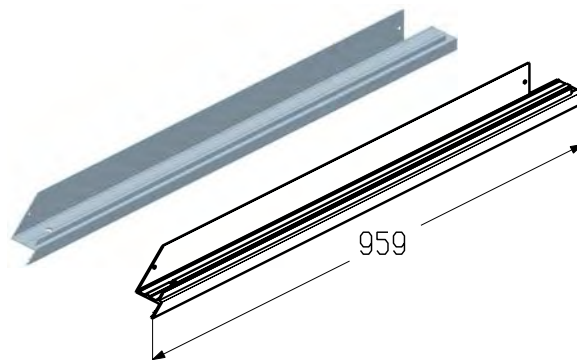


Арт.	Код	Покрытие	Цвет	Длина, мм	Вес, кг/шт.	Применение	Розничная цена, евро с НДС
WD-153R.201	404232691	Анодированное	A00-D6 (серебро)	466,5	0,418	Для ворот с правой калиткой	12,00
WD-153R.201	404232633	Порошковое	близкий RAL8019	466,5	0,418		12,00
WD-163R.201	404232791	Анодированное	A00-D6 (серебро)	591,5	0,532		14,00
WD-163R.201	404232733	Порошковое	близкий RAL8019	591,5	0,532		14,00
WD-153L.201	404233191	Анодированное	A00-D6 (серебро)	466,5	0,418	Для ворот с левой калиткой	12,00
WD-153L.201	404233133	Порошковое	близкий RAL8019	466,5	0,418		12,00
WD-163L.201	404233291	Анодированное	A00-D6 (серебро)	591,5	0,532		14,00
WD-163L.201	404233233	Порошковое	близкий RAL8019	591,5	0,532		14,00

Обрамление низа калитки

Предназначено для обрамления нижней калиточной панели.
Используется в калитке со стандартным и низким порогом.

Длина, мм 959
 Материалалюминий
 Единица измеренияшт.
 Норма поставки, шт.10

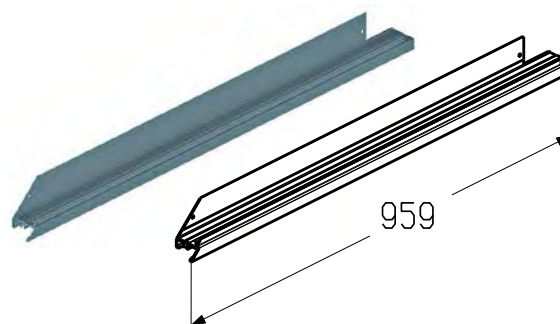


Арт.	Код	Покрытие	Цвет	Применение	Розничная цена, евро с НДС
WD151R.203	404031691	Анодированное	A00-D6 (серебро)	Для ворот с правой калиткой	18,50
WD151R.203	404032233	Порошковое	близкий RAL8019		
WD151L.203	404031791	Анодированное	A00-D6 (серебро)	Для ворот с левой калиткой	
WD151L.203	404032333	Порошковое	близкий RAL8019		

Обрамление низа калитки

Предназначено для обрамления нижней калиточной панели.
Используется в калитке с плоским порогом.

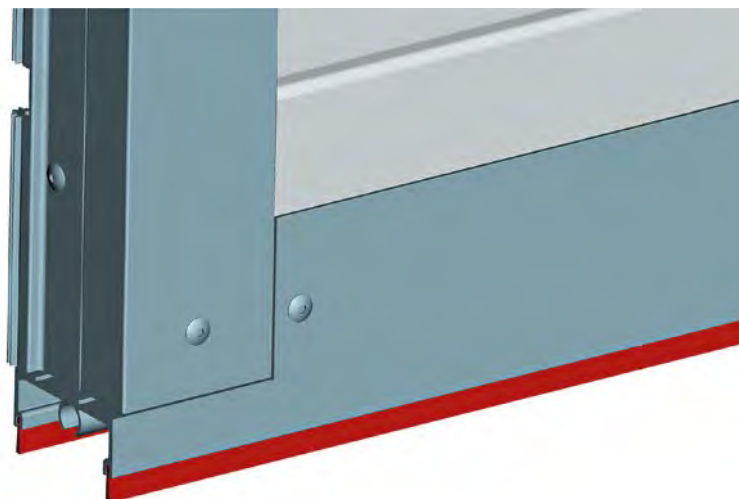
Длина, мм 959
 Вес, кг/м0,934
 Материалалюминий
 Единица измеренияшт.
 Норма поставки, шт.10



Арт.	Код	Покрытие	Цвет	Применение	Розничная цена, евро с НДС
WD-153R.203	404233091	Анодированное	A00-D6 (серебро)	Для ворот с правой калиткой	23,50
WD-153R.203	404233033	Порошковое	близкий RAL8019		22,50
WD-153L.203	404032091	Анодированное	A00-D6 (серебро)	Для ворот с левой калиткой	23,50
WD-153L.203	404032633	Порошковое	близкий RAL8019		22,50

ОБРАМЛЕНИЕ КАЛИТКИ

УСТАНОВКА ВСТАВКИ-ЩЕТКИ

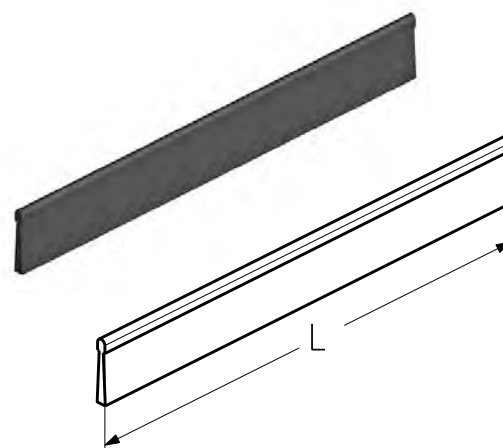


Вставка-щетка

Предназначена для герметизации нижней части проема калитки.
Используется в калитки с плоским порогом.

Вес, кг/шт.0,023
Единица измеренияМ
Норма поставки, м 300

Арт.	Код	Розничная цена, евро с НДС
BS11	404407000	15,00



УСТАНОВКА ЗАГЛУШКИ

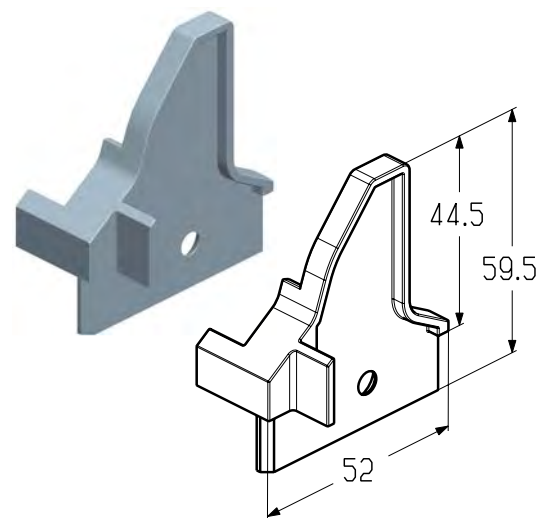


Заглушка

Устанавливается совместно с обрамлением калитки нижней и промежуточных панелей. Используется в калитке с плоским, стандартным и низким порогом.

Материал.....РА
 Вес, кг/шт.....0,006
 Единица измеренияшт.
 Норма поставки, шт.90

Арт.	Код	Цвет	Применение	Розничная цена, евро с НДС
WD22R-GR	401711300	Серый	Для ворот	0,85
WD22R-BR	401711400	Коричневый	с правой калиткой	0,85
WD22L-GR	401711500	Серый	Для ворот	0,85
WD22L-BR	401711600	Коричневый	с левой калиткой	0,85

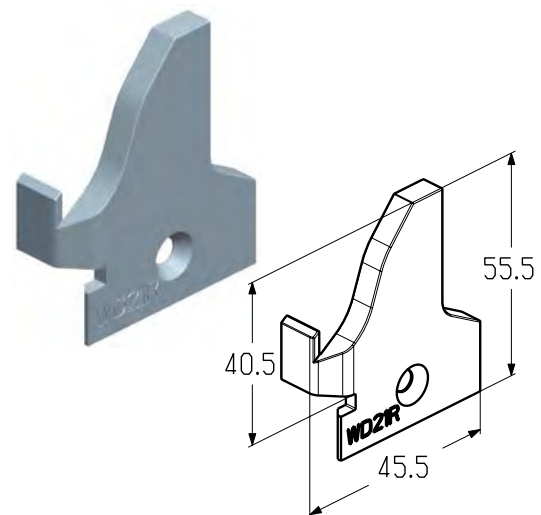


Заглушка

Устанавливается совместно с петлей калитки нижней и промежуточных панелей. Используется в калитке с плоским, стандартным и низким порогом.

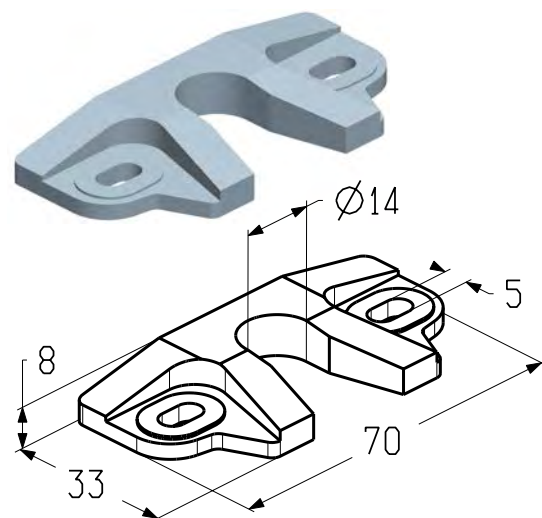
Материал.....РА
 Вес, кг/шт.....0,006
 Единица измеренияшт.
 Норма поставки, шт.90

Арт.	Код	Цвет	Применение	Розничная цена, евро с НДС
WD21R-GR	401710900	Серый	Для ворот	0,65
WD21R-BR	401711000	Коричневый	с правой калиткой	0,65
WD21L-GR	401711100	Серый	Для ворот	0,65
WD21L-BR	401711200	Коричневый	с левой калиткой	0,65



ОБРАМЛЕНИЕ КАЛИТКИ

УСТАНОВКА ЛОВИТЕЛЯ



Ловитель

Устанавливается на обрамление калитки первой и третьей панелей.
Используется в калитке с плоским, стандартным и низким порогом.

МатериалРА
Вес, кг/шт.0,006
Единица измеренияшт.
Норма поставки, шт.80

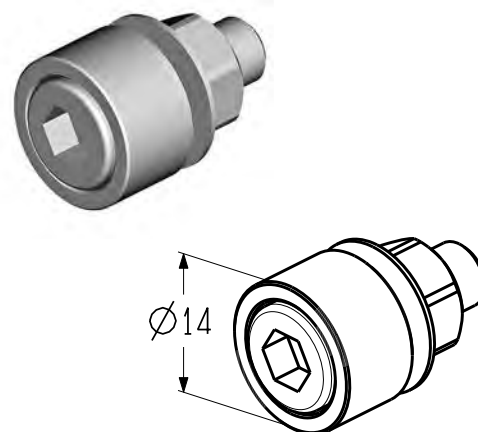
Арт.	Код	Розничная цена, евро без НДС
WD2011	401730100	0,70

Комплект опоры ловителя

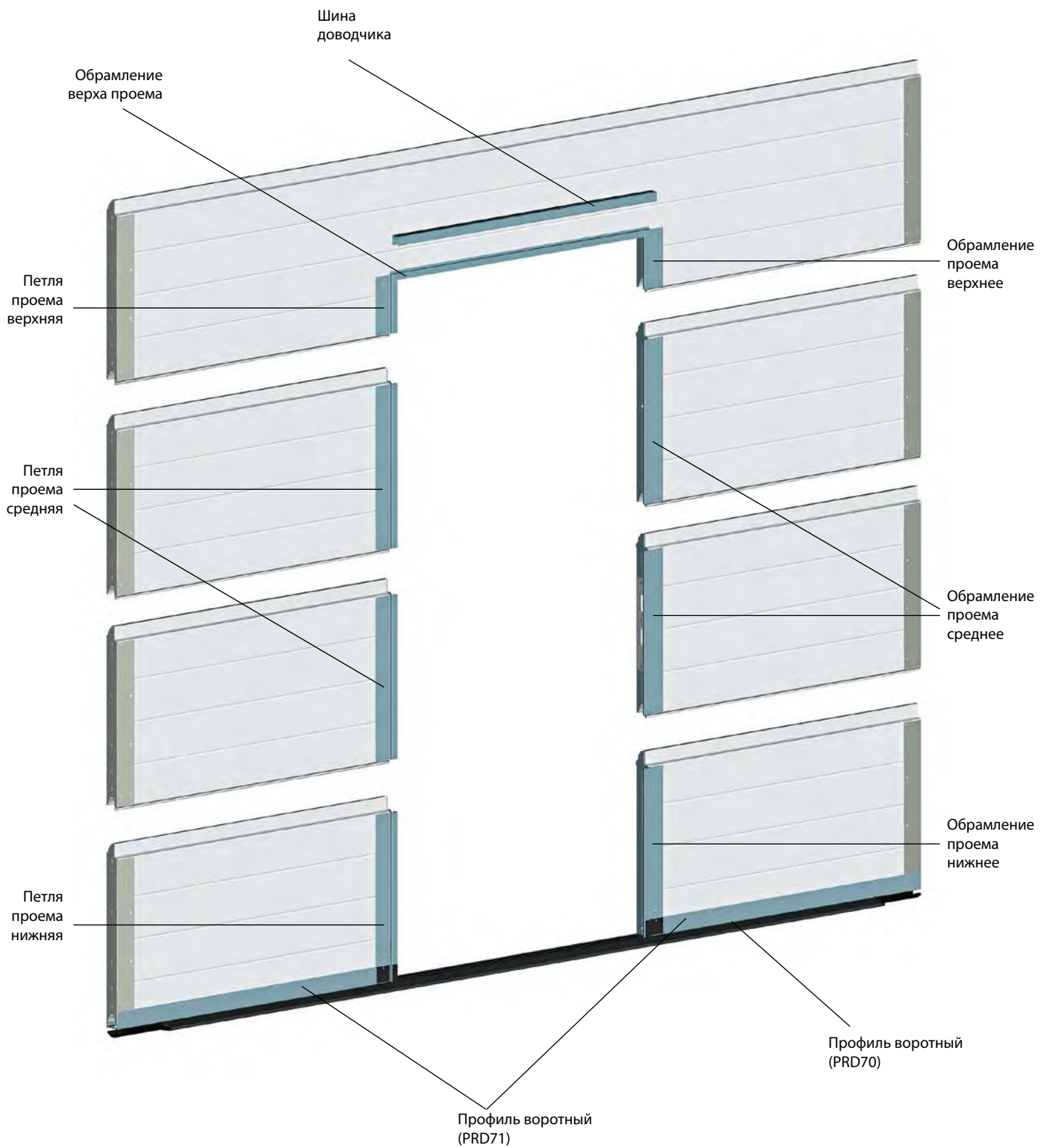
Применяется совместно с ловителем (WD2011).
Устанавливается на обрамление проема первой и третьей панелей.
Используется в калитке с плоским, стандартным и низким порогом.

Материал нержавеющая сталь
Вес, кг/шт.0,01
Единица измеренияшт.
Норма поставки, шт.1000

Арт.	Код	Розничная цена, евро без НДС
WD2031	401730200	2,80

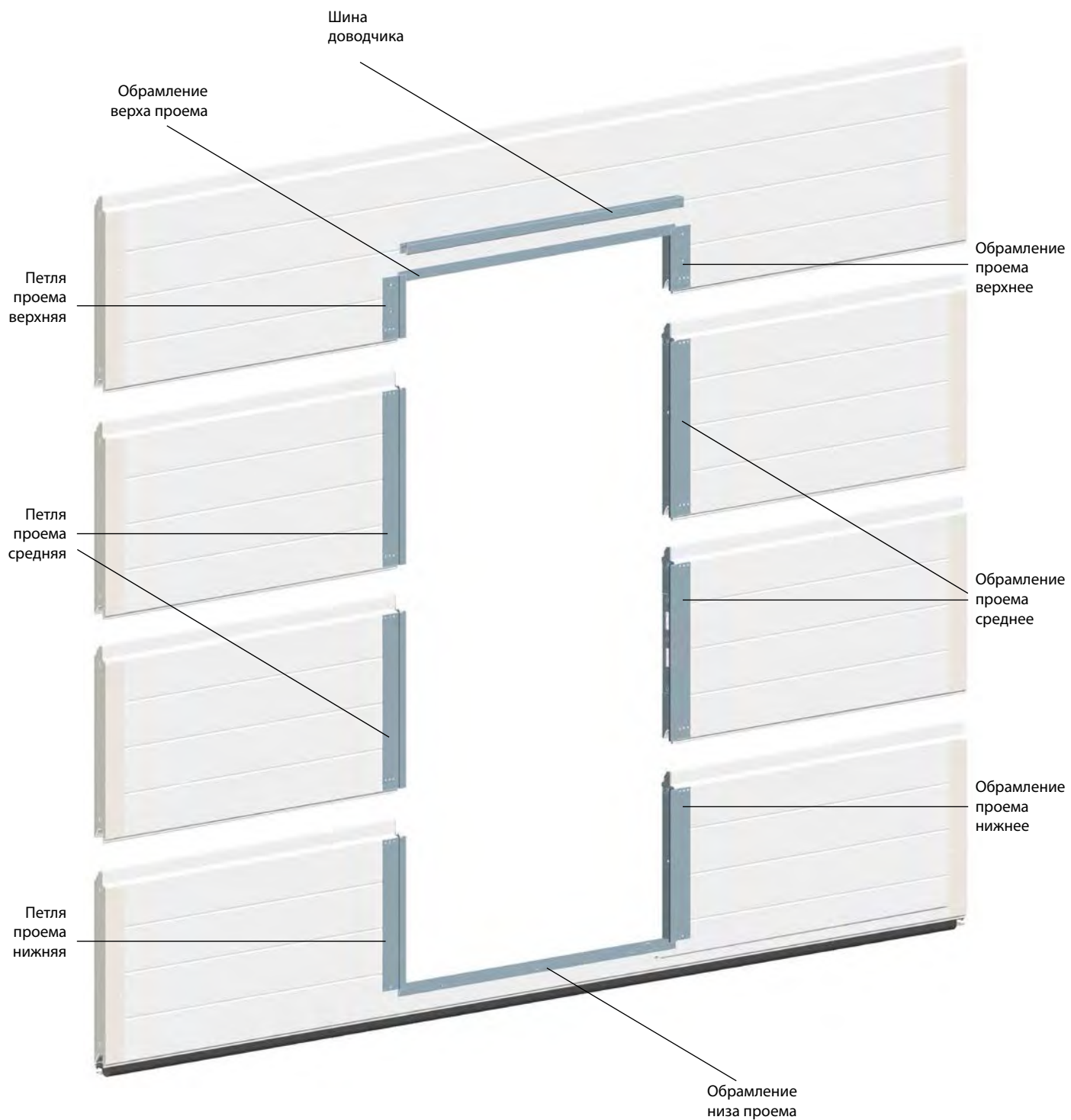


КАЛИТКА С ПЛОСКИМ ПОРОГОМ 20 ММ



УСТАНОВКА ПРОФИЛЕЙ ОБРАМЛЕНИЯ ПРОЕМА

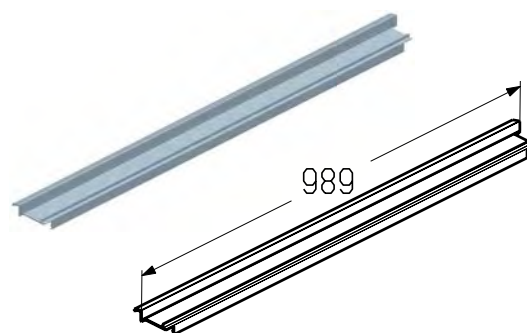
КАЛИТКА С НИЗКИМ ПОРОГОМ 100 И СТАНДАРТНЫМ ПОРОГОМ 145 ММ



Обрамление верха проема

Предназначено для обрамления проема верхней панели.
Используется в калитке с плоским, стандартным и низким порогом.

Длина, мм 989
 Материал алюминий
 Вес, кг/шт. 0,654
 Единица измерения шт.
 Норма поставки, шт. 10

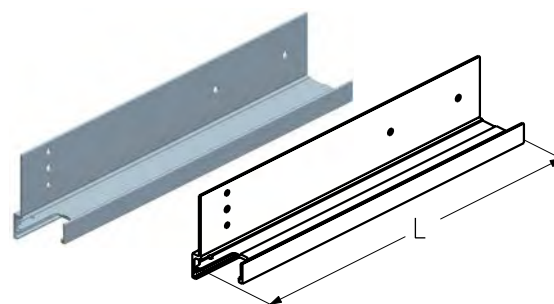


Арт.	Код	Покрытие	Цвет	Применение	Розничная цена, евро с НДС
WD403R.103	404110491	Анодированное	A00-D6 (серебро)	Для ворот с правой калиткой	18,00
WD403R.103	404110933	Порошковое	близкий RAL8019		18,00
WD403L.103	404110591	Анодированное	A00-D6 (серебро)	Для ворот с левой калиткой	18,00
WD403L.103	404111033	Порошковое	близкий RAL8019		18,00

Обрамление проема верхнее

Предназначено для обрамления проема верхней панели.
Используется в калитке с плоским, стандартным и низким порогом.

Материал алюминий
 Единица измерения шт.
 Норма поставки, шт. 10

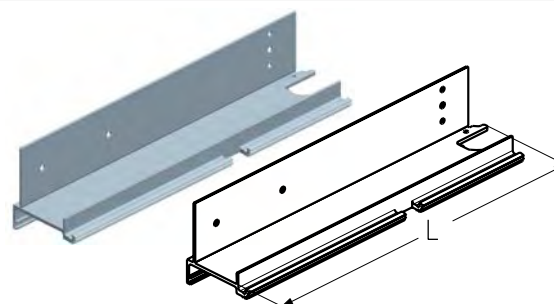


Арт.	Код	Покрытие	Цвет	Длина, мм	Вес, кг/шт.	Применение	Розничная цена, евро с НДС
WD403R.302	404110691	Анодированное	A00-D6 (серебро)	183	0,143	Для ворот с правой калиткой	5,00
WD403R.302	404111133	Порошковое	близкий RAL8019	183	0,143		5,00
WD404R.302	404110891	Анодированное	A00-D6 (серебро)	308	0,241		7,00
WD404R.302	404111333	Порошковое	близкий RAL8019	308	0,241		7,00
WD403L.302	404110791	Анодированное	A00-D6 (серебро)	183	0,143	Для ворот с левой калиткой	5,00
WD403L.302	404111233	Порошковое	близкий RAL8019	183	0,143		5,00
WD404L.302	404110991	Анодированное	A00-D6 (серебро)	308	0,241		7,00
WD404L.302	404111433	Порошковое	близкий RAL8019	308	0,241		7,00

Петля проема верхняя

Предназначена для обрамления проема верхней панели.
Используется в калитке с плоским, стандартным и низким порогом.

Материал алюминий
 Единица измерения шт.
 Норма поставки, шт. 10



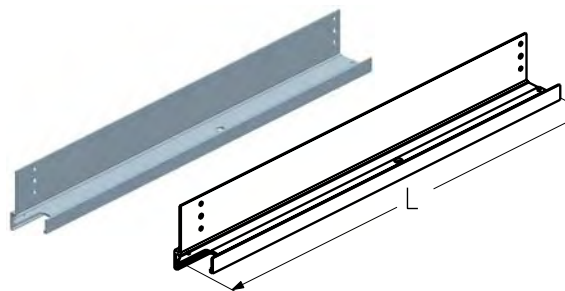
Арт.	Код	Покрытие	Цвет	Длина, мм	Вес, кг/шт.	Применение	Розничная цена, евро с НДС
WD403R.101	404110091	Анодированное	A00-D6 (серебро)	183	0,167	Для ворот с правой калиткой	6,00
WD403R.101	404110533	Порошковое	близкий RAL8019	183	0,167		6,00
WD404R.101	404110291	Анодированное	A00-D6 (серебро)	308	0,282		9,00
WD404R.101	404110733	Порошковое	близкий RAL8019	308	0,282		9,00
WD403L.101	404110191	Анодированное	A00-D6 (серебро)	183	0,167	Для ворот с левой калиткой	6,00
WD403L.101	404110633	Порошковое	близкий RAL8019	183	0,167		6,00
WD404L.101	404110391	Анодированное	A00-D6 (серебро)	308	0,282		9,00
WD404L.101	404110833	Порошковое	близкий RAL8019	308	0,282		9,00

ОБРАМЛЕНИЕ ПРОЕМА

Обрамление проема среднее

Предназначено для обрамления проема третьей панели.
Используется в калитке с плоским, стандартным и низким порогом.

Материалалюминий
Единица измеренияшт.
Норма поставки, шт.10

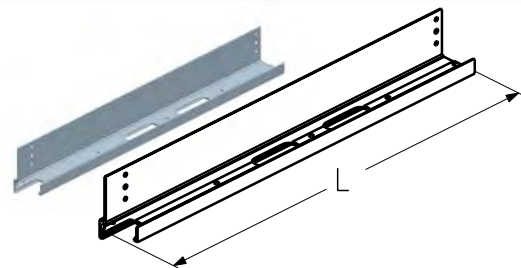


Арт.	Код	Покрытие	Цвет	Длина, мм	Вес, кг/шт.	Применение	Розничная цена, евро с НДС
WD350R.302	404121291	Анодированное	A00-D6 (серебро)	490,5	0,391	Для ворот с правой калиткой	10,00
WD350R.302	404121833	Порошковое	близкий RAL8019	490,5	0,391		10,00
WD360R.302	404121491	Анодированное	A00-D6 (серебро)	615,5	0,490		12,00
WD360R.302	404122033	Порошковое	близкий RAL8019	615,5	0,490		12,00
WD350L.302	404121391	Анодированное	A00-D6 (серебро)	490,5	0,391	Для ворот с левой калиткой	10,00
WD350L.302	404121933	Порошковое	близкий RAL8019	490,5	0,391		10,00
WD360L.302	404121591	Анодированное	A00-D6 (серебро)	615,5	0,490		12,00
WD360L.302	404122133	Порошковое	близкий RAL8019	615,5	0,490		12,00

Обрамление проема среднее

Предназначено для обрамления проема второй панели.
Используется в калитке с плоским, стандартным и низким порогом.

Материалалюминий
Единица измеренияшт.
Норма поставки, шт.10

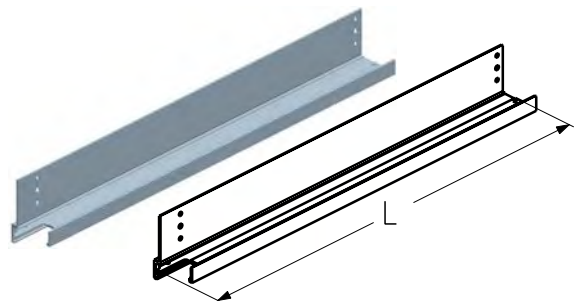


Арт.	Код	Покрытие	Цвет	Длина, мм	Вес, кг/шт.	Применение	Розничная цена, евро с НДС
WD250R.302	404120491	Анодированное	A00-D6 (серебро)	490,5	0,380	Для ворот с правой калиткой	10,50
WD250R.302	404121033	Порошковое	близкий RAL8019	490,5	0,380		10,50
WD260R.302	404120691	Анодированное	A00-D6 (серебро)	615,5	0,477		12,50
WD260R.302	404121233	Порошковое	близкий RAL8019	615,5	0,477		12,50
WD250L.302	404120591	Анодированное	A00-D6 (серебро)	490,5	0,380	Для ворот с левой калиткой	10,50
WD250L.302	404121133	Порошковое	близкий RAL8019	490,5	0,380		10,50
WD260L.302	404120791	Анодированное	A00-D6 (серебро)	615,5	0,477		12,50
WD260L.302	404121333	Порошковое	близкий RAL8019	615,5	0,477		12,50

Обрамление проема среднее

Предназначено для обрамления проема второй панели.
Используется в калитке с плоским, стандартным и низким порогом с замком «анти-паник».

Материалалюминий
Единица измеренияшт.
Норма поставки, шт.10

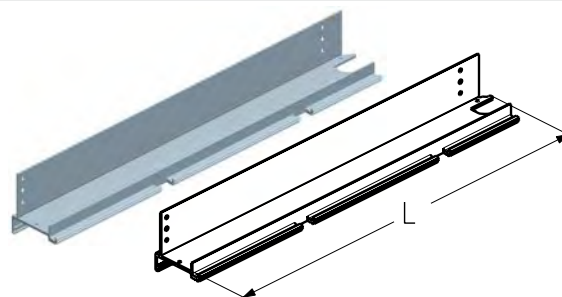


Арт.	Код	Покрытие	Цвет	Длина, мм	Вес, кг/шт.	Применение	Розничная цена, евро с НДС
WD250RA.302	404120891	Анодированное	A00-D6 (серебро)	490,5	0,391	Для ворот с правой калиткой	10,50
WD250RA.302	404120433	Порошковое	близкий RAL8019	490,5	0,391		10,50
WD260RA.302	404121091	Анодированное	A00-D6 (серебро)	615,5	0,490		12,50
WD260RA.302	404121633	Порошковое	близкий RAL8019	615,5	0,490		12,50
WD250LA.302	404120991	Анодированное	A00-D6 (серебро)	490,5	0,391	Для ворот с левой калиткой	10,50
WD250LA.302	404121533	Порошковое	близкий RAL8019	490,5	0,391		10,50
WD260LA.302	404121191	Анодированное	A00-D6 (серебро)	615,5	0,490		12,50
WD260LA.302	404121733	Порошковое	близкий RAL8019	615,5	0,490		12,50

ОБРАМЛЕНИЕ ПРОЕМА
Петля проема средняя

Предназначена для обрамления проема третьей и второй панелей.
Используется в калитке с плоским, стандартным и низким порогом.

Материалалюминий
 Единица измеренияшт.
 Норма поставки, шт.10

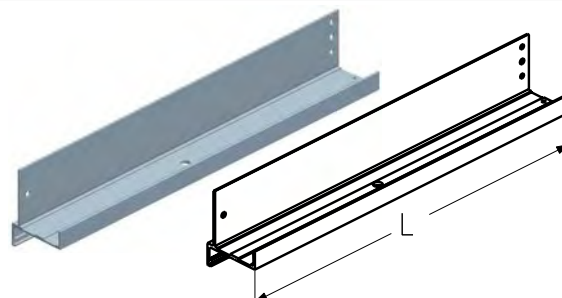


Арт.	Код	Покрытие	Цвет	Длина, мм	Вес, кг/шт.	Применение	Розничная цена, евро с НДС
WD250R.101	404120091	Анодированное	A00-D6 (серебро)	490,5	0,458	Для ворот с правой калиткой	13,50
WD250R.101	404120633	Порошковое	близкий RAL8019	490,5	0,458		13,50
WD260R.101	404120291	Анодированное	A00-D6 (серебро)	615,5	0,575		16,50
WD260R.101	404120833	Порошковое	близкий RAL8019	615,5	0,575		16,50
WD250L.101	404120191	Анодированное	A00-D6 (серебро)	490,5	0,458	Для ворот с левой калиткой	13,50
WD250L.101	404120733	Порошковое	близкий RAL8019	490,5	0,458		13,50
WD260L.101	404120391	Анодированное	A00-D6 (серебро)	615,5	0,575		16,50
WD260L.101	404120933	Порошковое	близкий RAL8019	615,5	0,575		16,50

Обрамление проема нижнее

Предназначено для обрамления проема нижней панели.
Используется в калитке со стандартным порогом.

Материалалюминий
 Единица измеренияшт.
 Норма поставки, шт.10

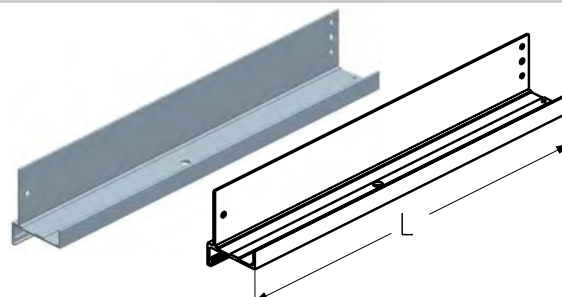


Арт.	Код	Покрытие	Цвет	Длина, мм	Вес, кг/шт.	Применение	Розничная цена, евро с НДС
WD152R.302	404131291	Анодированное	A00-D6 (серебро)	369	0,305	Для ворот с правой калиткой	8,00
WD152R.302	404132033	Порошковое	близкий RAL8019	369	0,305		8,00
WD162R.302	404131691	Анодированное	A00-D6 (серебро)	494	0,409		10,00
WD162R.302	404132433	Порошковое	близкий RAL8019	494	0,409		10,00
WD152L.302	404131391	Анодированное	A00-D6 (серебро)	369	0,305	Для ворот с левой калиткой	8,00
WD152L.302	404132133	Порошковое	близкий RAL8019	369	0,305		8,00
WD162L.302	404131791	Анодированное	A00-D6 (серебро)	494	0,409		10,00
WD162L.302	404132533	Порошковое	близкий RAL8019	494	0,409		10,00

Обрамление проема нижнее

Предназначено для обрамления проема нижней панели.
Используется в калитке с низким порогом.

Материалалюминий
 Единица измеренияшт.
 Норма поставки, шт.10



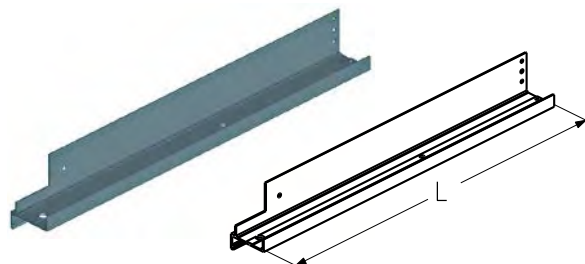
Арт.	Код	Покрытие	Цвет	Длина, мм	Вес, кг/шт.	Применение	Розничная цена, евро с НДС
WD151R.302	404131091	Анодированное	A00-D6 (серебро)	414	0,343	Для ворот с правой калиткой	9,00
WD151R.302	404131833	Порошковое	близкий RAL8019	414	0,343		9,00
WD161R.302	404131491	Анодированное	A00-D6 (серебро)	539	0,446		11,00
WD161R.302	404132233	Порошковое	близкий RAL8019	539	0,446		11,00
WD151L.302	404131191	Анодированное	A00-D6 (серебро)	414	0,343	Для ворот с левой калиткой	9,00
WD151L.302	404131933	Порошковое	близкий RAL8019	414	0,343		9,00
WD161L.302	404131591	Анодированное	A00-D6 (серебро)	539	0,446		11,00
WD161L.302	404132333	Порошковое	близкий RAL8019	539	0,446		11,00

ОБРАМЛЕНИЕ ПРОЕМА

Обрамление проема нижнее

Предназначено для обрамления проема нижней панели.
Используется в калитке с плоским порогом.

Материалалюминий
Единица измеренияшт.
Норма поставки, шт.10

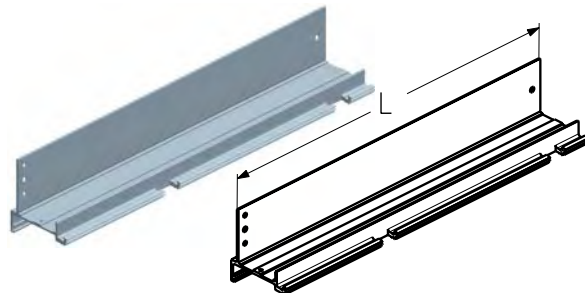


Арт.	Код	Покрытие	Цвет	Длина, мм	Вес, кг/шт.	Применение	Розничная цена, евро с НДС
WD-153R.302	404232491	Анодированное	A00-D6 (серебро)	493	0,394	Для ворот с правой калиткой	10,50
WD-153R.302	404232433	Порошковое	близкий RAL8019	493	0,394		10,50
WD-163R.302	404232591	Анодированное	A00-D6 (серебро)	618	0,497		12,50
WD-163R.302	404232533	Порошковое	близкий RAL8019	618	0,497		12,50
WD-153L.302	404131891	Анодированное	A00-D6 (серебро)	493	0,394	Для ворот с левой калиткой	10,50
WD-153L.302	404132633	Порошковое	близкий RAL8019	493	0,394		10,50
WD-163L.302	404132091	Анодированное	A00-D6 (серебро)	618	0,497		12,50
WD-163L.302	404132833	Порошковое	близкий RAL8019	618	0,497		12,50

Петля проема нижняя

Предназначено для обрамления проема нижней панели.
Используется в калитке со стандартным порогом.

Материалалюминий
Единица измеренияшт.
Норма поставки, шт.10

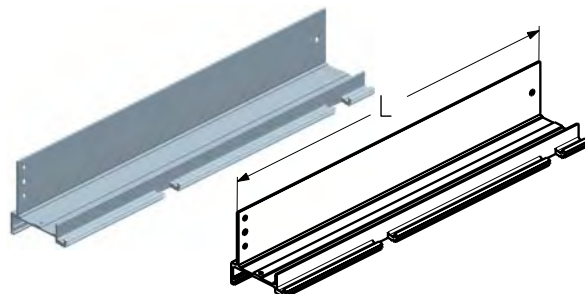


Арт.	Код	Покрытие	Цвет	Длина, мм	Вес, кг/шт.	Применение	Розничная цена, евро с НДС
WD152R.101	404130291	Анодированное	A00-D6 (серебро)	369	0,355	Для ворот с правой калиткой	9,50
WD152R.101	404131033	Порошковое	близкий RAL8019	369	0,355		9,50
WD162R.101	404130691	Анодированное	A00-D6 (серебро)	494	0,475		12,00
WD162R.101	404131433	Порошковое	близкий RAL8019	494	0,475		12,00
WD152L.101	404130391	Анодированное	A00-D6 (серебро)	369	0,355	Для ворот с левой калиткой	9,50
WD152L.101	404131133	Порошковое	близкий RAL8019	369	0,355		9,50
WD162L.101	404130791	Анодированное	A00-D6 (серебро)	494	0,475		12,00
WD162L.101	404131533	Порошковое	близкий RAL8019	494	0,475		12,00

Петля проема нижняя

Предназначено для обрамления проема нижней панели.
Используется в калитке с низким порогом.

Материалалюминий
Единица измеренияшт.
Норма поставки, шт.10

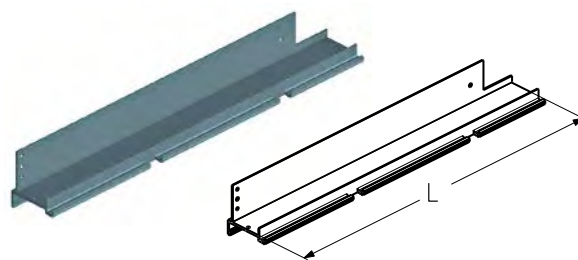


Арт.	Код	Покрытие	Цвет	Длина, мм	Вес, кг/шт.	Применение	Розничная цена, евро с НДС
WD151R.101	404130091	Анодированное	A00-D6 (серебро)	414	0,398	Для ворот с правой калиткой	10,50
WD151R.101	404130833	Порошковое	близкий RAL8019	414	0,398		10,50
WD161R.101	404130491	Анодированное	A00-D6 (серебро)	539	0,518		13,00
WD161R.101	404131233	Порошковое	близкий RAL8019	539	0,518		13,00
WD151L.101	404130191	Анодированное	A00-D6 (серебро)	414	0,398	Для ворот с левой калиткой	10,50
WD151L.101	404130933	Порошковое	близкий RAL8019	414	0,398		10,50
WD161L.101	404130591	Анодированное	A00-D6 (серебро)	539	0,518		13,00
WD161L.101	404131333	Порошковое	близкий RAL8019	539	0,518		13,00

Петля проема нижняя

Предназначено для обрамления проема нижней панели.
Используется в калитке с плоским порогом.

Материалалюминий
 Единица измеренияшт.
 Норма поставки, шт.10

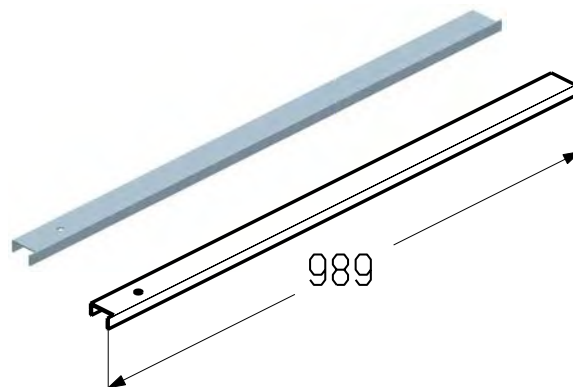


Арт.	Код	Покрытие	Цвет	Длина, мм	Вес, кг/шт.	Применение	Розничная цена, евро с НДС
WD-153R.101	404232291	Анодированное	A00-D6 (серебро)	493	0,520	Для ворот с правой калиткой	12,00
WD-153R.101	404232233	Порошковое	близкий RAL8019	493	0,520		12,00
WD-153L.101	404233391	Анодированное	A00-D6 (серебро)	618	0,653		12,00
WD-153L.101	404233333	Порошковое	близкий RAL8019	618	0,653		12,00
WD-163R.101	404232391	Анодированное	A00-D6 (серебро)	493	0,520	Для ворот с левой калиткой	15,00
WD-163R.101	404232333	Порошковое	близкий RAL8019	493	0,520		15,00
WD-163L.101	404233491	Анодированное	A00-D6 (серебро)	618	0,653		15,00
WD-163L.101	404233433	Порошковое	близкий RAL8019	618	0,653		15,00

Порог

Предназначен для установки совместно с профилями усиливающими (PRG12, PRG13). Используется в калитке со стандартным и низким порогом.

Длина, мм 989
 Материалалюминий
 Вес, кг/шт.0,442
 Единица измеренияшт.
 Норма поставки, шт.10

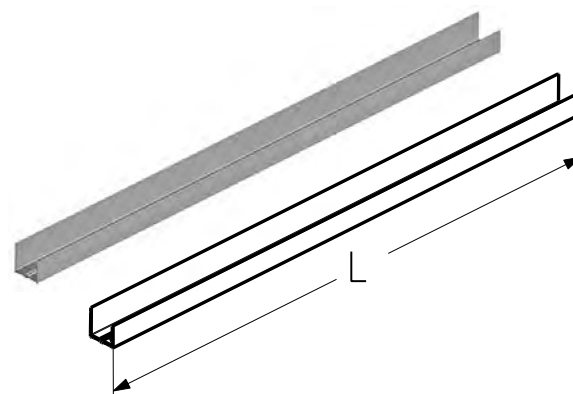


Арт.	Код	Покрытие	Цвет	Применение	Розничная цена, евро с НДС
WD151R.103	404130891	Анодированное	A00-D6 (серебро)	Для ворот с правой калиткой	12,50
WD151R.103	404131633	Порошковое	близкий RAL8019		
WD151L.103	404130991	Анодированное	A00-D6 (серебро)	Для ворот с левой калиткой	12,50
WD151L.103	404131733	Порошковое	близкий RAL8019		

Профиль воротный

Предназначен для обрамления нижней панели.
Используется в калитке с плоским порогом.

Длина, мм6000
 Вес, кг/шт.0,74
 Материалалюминий
 Единица измерениям
 Норма поставки, м24



Арт.	Код	Покрытие	Цвет	Розничная цена, евро с НДС
PRD71	401490291	Анодированное	A00-D6 (серебро)	15,00
PRD71	401492433	Порошковое	близкий RAL8019	14,00

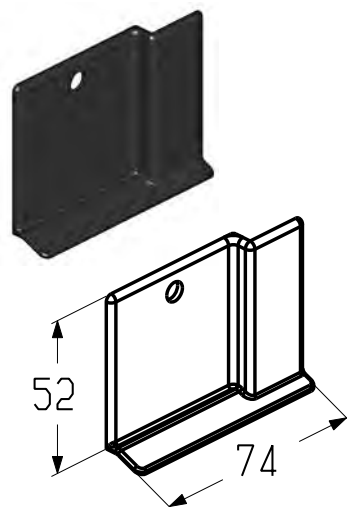
ОБРАМЛЕНИЕ ПРОЕМА

Заглушка калиточная

Устанавливается совместно с нижним профилем (PRD71).
Используется в калитке с плоским порогом.

МатериалABS
Вес, кг/шт.....0,009
Единица измеренияшт.
Норма поставки, шт.....500

Арт.	Код	Цвет	Применение	Розничная цена, евро с НДС
WD2034R-GR	401713300	Серый	Правая	0,65
WD2034R-BR	401713500	Коричневый		
WD2034R-BK	401713700	Черный		
WD2034L-GR	401713200	Серый	Левая	
WD2034L-BR	401713400	Коричневый		
WD2034L-BK	401713600	Черный		

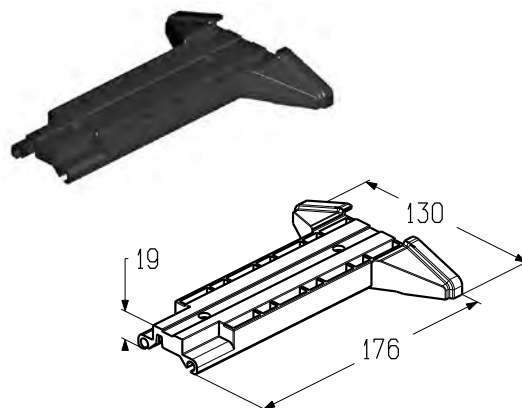


Вставка концевая

Устанавливается совместно с нижним профилем (PRD70).
Используется в калитке с плоским порогом.

МатериалРА
Вес, кг/шт.....0,064
Единица измеренияшт.
Норма поставки, шт.....60

Арт.	Код	Цвет	Розничная цена, евро с НДС
WD2033	401713800	Черный	5,80

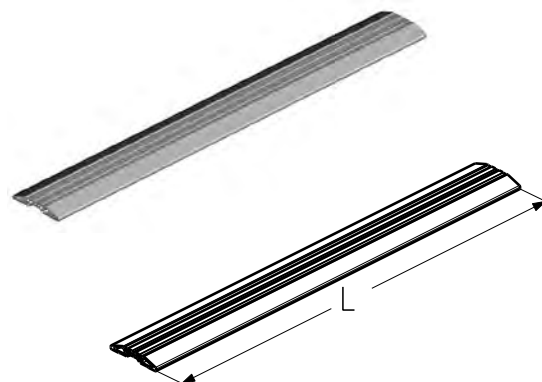


Профиль воротный

Предназначен для установки в нижнюю панель. Выполняет функцию порога калитки. Используется в калитке с плоским порогом.

Материалалюминий
Длина (L), мм6000
Вес, кг/м2,71
Единица измерениям
Норма поставки, м12

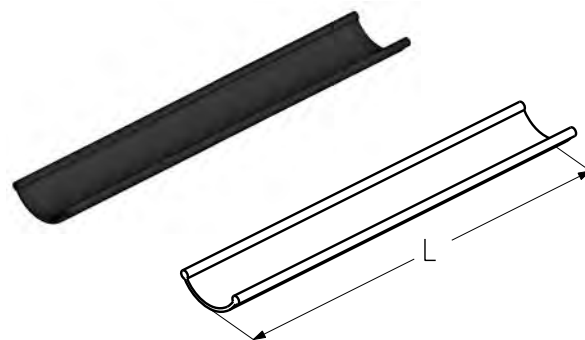
Арт.	Код	Покрытие	Цвет	Розничная цена, евро с НДС
PRD70	401490130	Порошковое	близкий RAL9005	48,00



Вставка уплотнительная

Предназначена для герметизации нижней части проема. Устанавливается в профиль воротный (PRD70). Используется в калитке с плоским порогом.

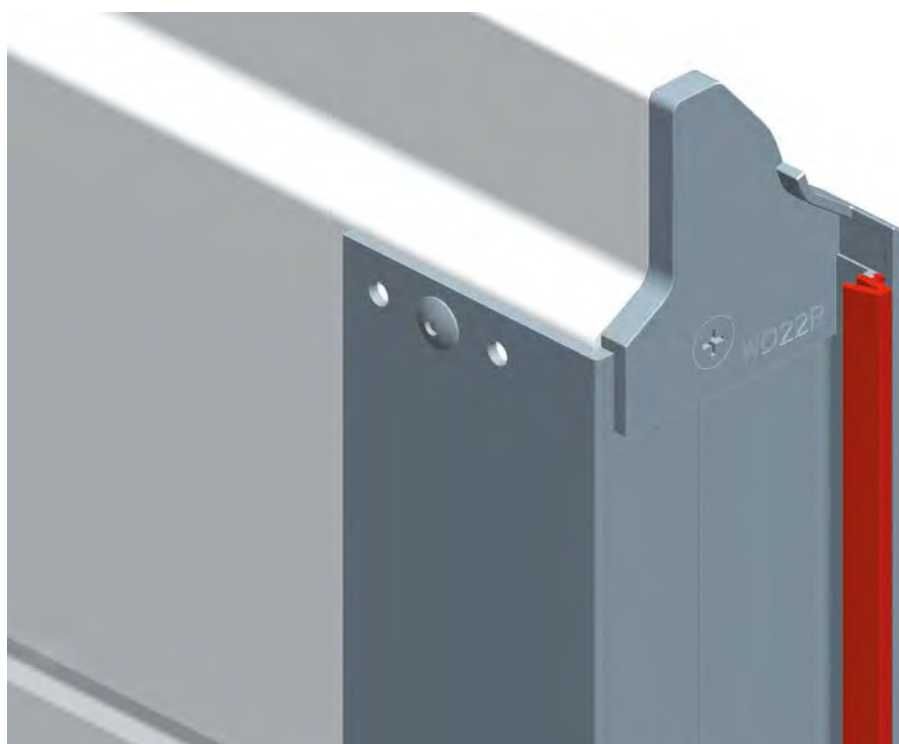
Материал EPDM
 Вес, кг/м 0,11
 Единица измерения м
 Норма поставки, м 125



Арт.	Код	Розничная цена без НДС, €
RSB09	401510700	3,20

3.2

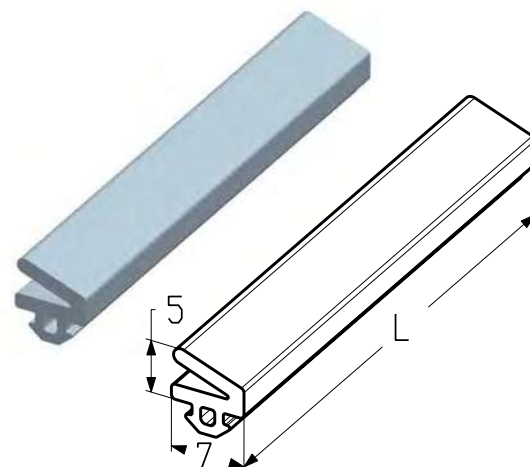
УСТАНОВКА ВСТАВКИ УПЛОТНИТЕЛЬНОЙ



Вставка уплотнительная

Предназначена для герметизации проема калитки. Устанавливается в обрамление проема и обрамление калитки. Используется в калитке с плоским, стандартным и низким порогом.

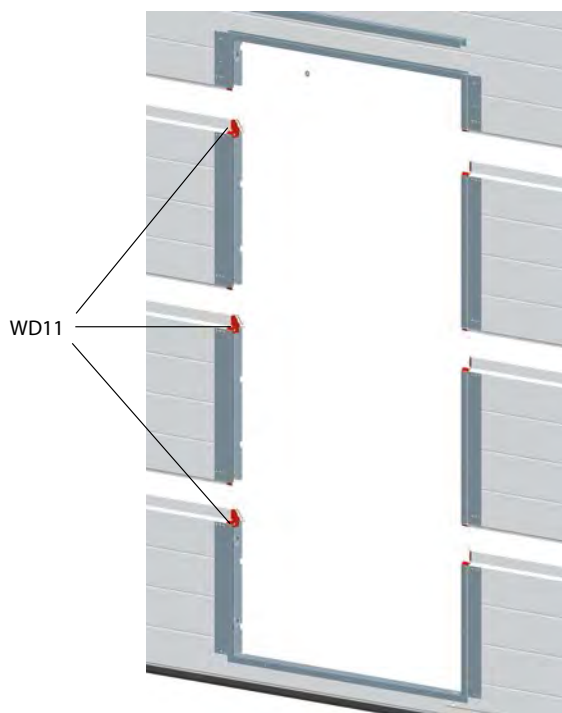
Материал EPDM
 Вес, кг/м 0,23
 Единица измерения м
 Норма поставки, м 475



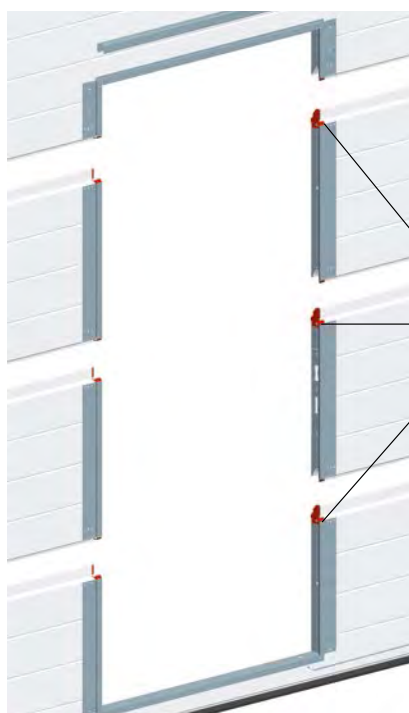
Арт.	Код	Розничная цена, евро с НДС
RSW06	401560100	0,65

ОБРАМЛЕНИЕ ПРОЕМА

УСТАНОВКА ЗАГЛУШКИ



WD11



WD32

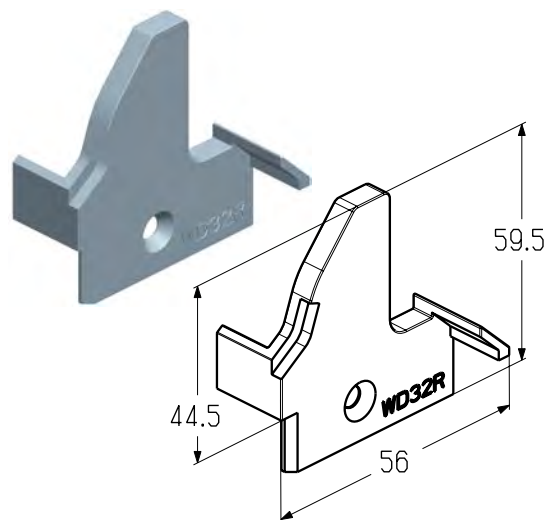
3.2

Заглушка

Устанавливается совместно с обрамлением проема нижней и промежуточных панелей. Используется в калитке с плоским, стандартным и низким порогом.

МатериалРА
 Вес, кг/шт.....0,009
 Единица измеренияшт.
 Норма поставки, шт.90

Арт.	Код	Цвет	Применение	Розничная цена, евро с НДС
WD32R-GR	401711700	Серый	Для ворот с правой калиткой	0,85
WD32R-BR	401711800	Коричневый		
WD32L-GR	401711900	Серый	Для ворот с левой калиткой	
WD32L-BR	401712000	Коричневый		

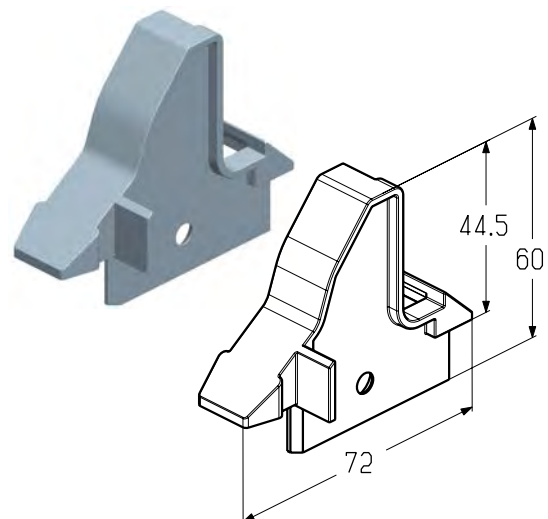


Заглушка

Устанавливается совместно с петлей проема нижней и промежуточных панелей. Используется в калитке с плоским, стандартным и низким порогом.

МатериалРА
 Вес, кг/шт.....0,011
 Единица измеренияшт.
 Норма поставки, шт.90

Арт.	Код	Цвет	Применение	Розничная цена, евро с НДС
WD11R-GR	401710500	Серый	Для ворот с правой калиткой	0,90
WD11R-BR	401710600	Коричневый		
WD11L-GR	401710700	Серый	Для ворот с левой калиткой	
WD11L-BR	401710800	Коричневый		



УСТАНОВКА ЗАГЛУШКИ



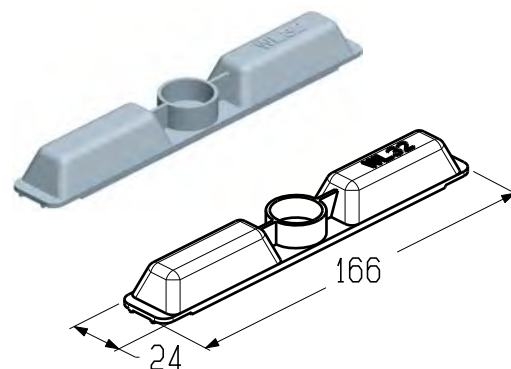
3.2

Заглушка

Предназначена для установки совместно с обрамлением проема второй панелей. Используется в калитке с плоским, стандартным и низким порогом.

Материал.....РА
 Цвет.....черный
 Вес, кг/шт.....0,017
 Единица измеренияшт.
 Норма поставки, шт.....300

Арт.	Код	Розничная цена, евро без НДС
WL32	404410800	2,00

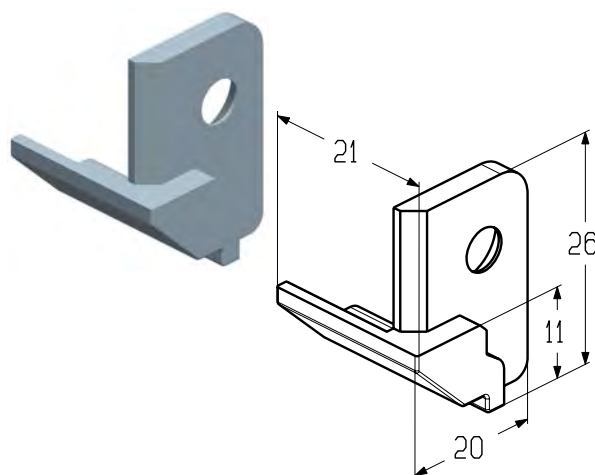


Заглушка нижняя

Устанавливается совместно с обрамлением и петлей проема верхней и промежуточных панелей. Используется в калитке с плоским, стандартным и низким порогом.

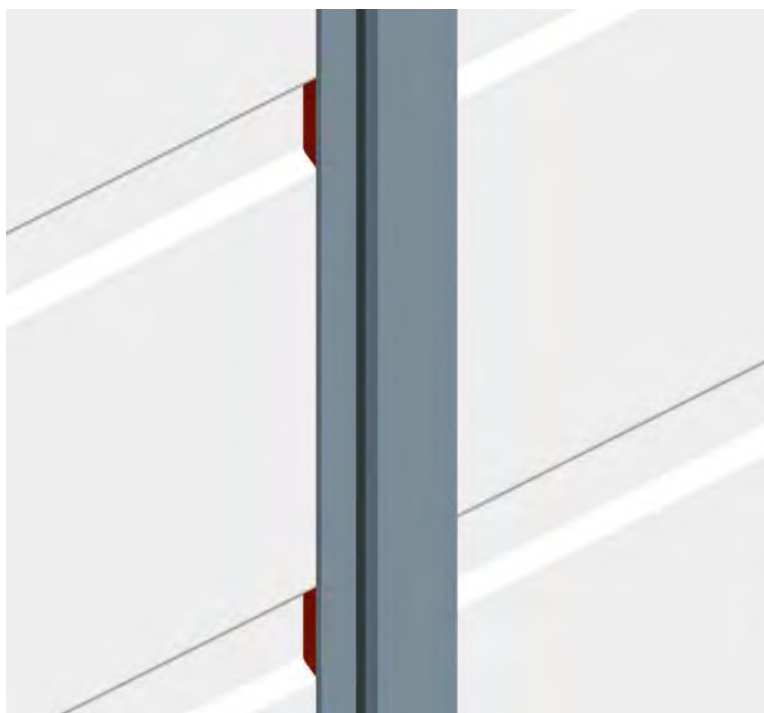
Материал.....РА
 Вес, кг/шт.....0,002
 Единица измеренияшт.
 Норма поставки, шт.....90

Арт.	Код	Цвет	Розничная цена, евро с НДС
WD01R-GR	401710100	Серый	0,40
WD01R-BR	401710200	Коричневый	
WD01L-GR	401710300	Серый	
WD01L-BR	401710400	Коричневый	



ОБРАМЛЕНИЕ ПРОЕМА

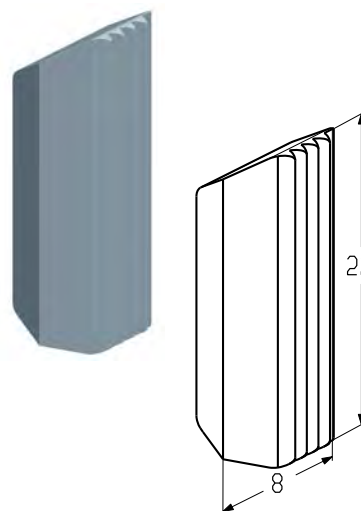
УСТАНОВКА ЗАГЛУШКИ КАЛИТОЧНОЙ



Заглушка калиточная

Предназначена для установки совместно с обрамлением проема и обрамлением калитки. Устанавливается под обрамление в каждый зиг панелей с рисунком «S-гофр». Используется в калитке с плоским, стандартным и низким порогом.

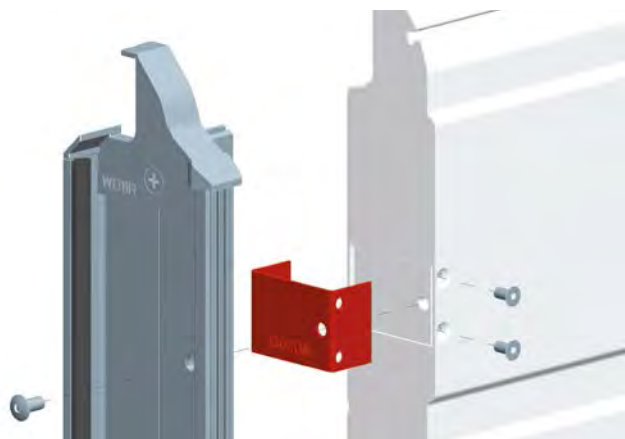
Материал полиуретан
 Вес, кг/шт 0,001
 Единица измерения шт.
 Норма поставки, шт 18000



Арт.	Код	Розничная цена, евро с НДС
WD2028	401713100	0,25

УСТАНОВКА СКОБЫ И КРОНШТЕЙНА

Скоба WD2013



Кронштейн WD2014



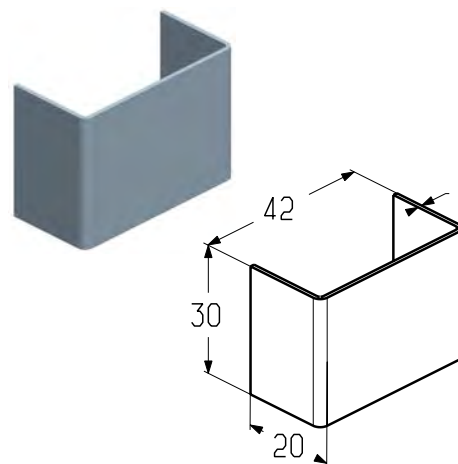
3.2

Скоба

Предназначена для усиления петли проема и петли калитки по всей высоте встроенной калитки. Используется в калитке с плоским, стандартным и низким порогом.

Материал.....оцинкованная сталь
 Вес, кг/шт.....0,019
 Единица измеренияшт.
 Норма поставки, шт.....80

Арт.	Код	Розничная цена, евро с НДС
WD2013	401750100	0,40

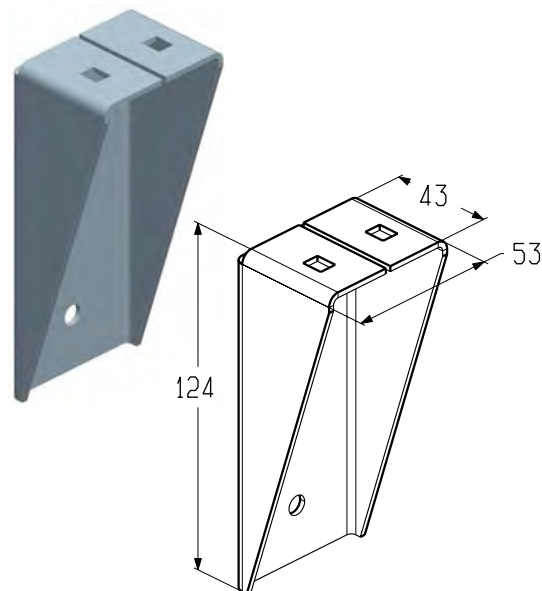


Кронштейн

Предназначен для усиления верхней калиточной панели. Устанавливается совместно с профилем усиливающим (PRG16, PRG17). Используется в калитке с плоским, стандартным и низким порогом.

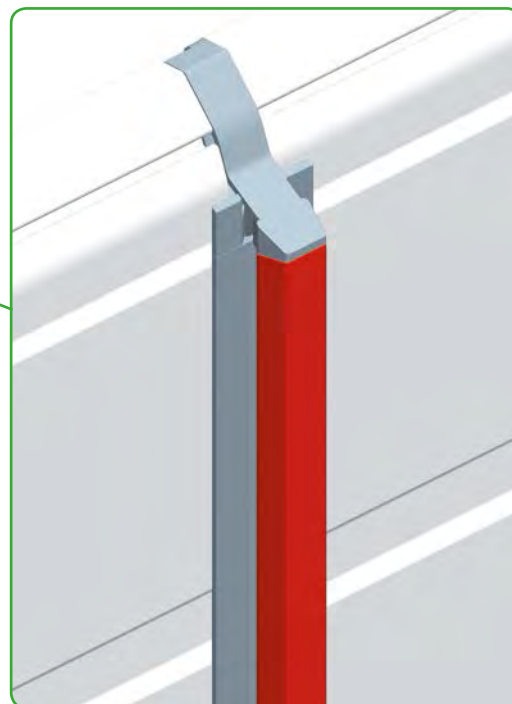
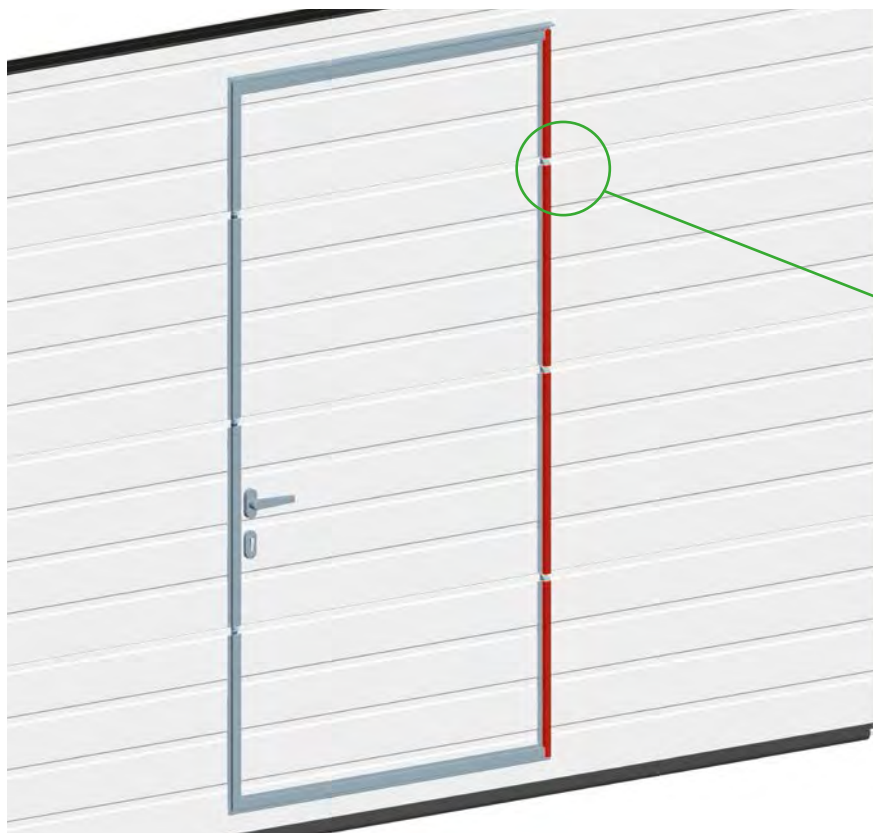
Материал.....оцинкованная сталь
 Покрытие.....полимерное
 Цвет.....бело-серый (близкий RAL9002)
 Вес, кг/шт.....0,21
 Единица измеренияшт.
 Норма поставки, шт.....40

Арт.	Код	Розничная цена, евро с НДС
WD2014	401750200	5,70



ПЕТЛЯ КАЛИТКИ

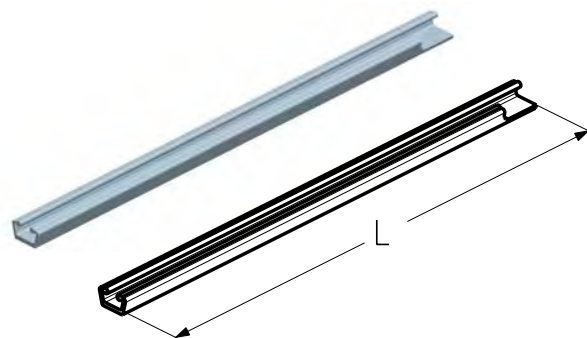
УСТАНОВКА ЭЛЕМЕНТА ПЕТЛИ



Элемент верхней петли

Предназначен для соединения петли калитки и петли проема верхней панели.
Используется в калитке с плоским, стандартным и низким порогом.

Материал.....алюминий
Единица измеренияшт.
Норма поставки, шт.10

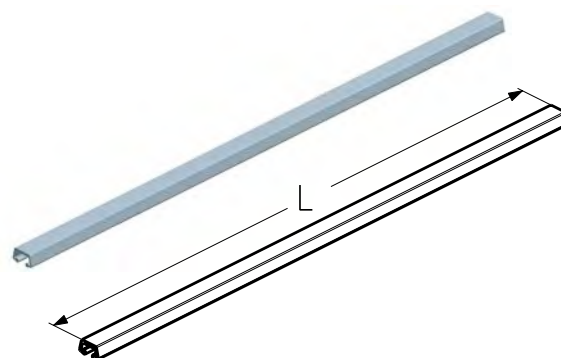


Арт.	Код	Покрытие	Цвет	Длина, мм	Вес, кг/шт.	Применение	Розничная цена, евро с НДС
WD403R.001	404210091	Анодированное	A00-D6 (серебро)	183	0,041	Для ворот с правой калиткой	2,00
WD403R.001	404211233	Порошковое	близкий RAL8019	183	0,041		1,60
WD404R.001	404210291	Анодированное	A00-D6 (серебро)	308	0,069		2,50
WD404R.001	404211433	Порошковое	близкий RAL8019	308	0,069		2,30
WD403L.001	404210191	Анодированное	A00-D6 (серебро)	183	0,041	Для ворот с левой калиткой	2,00
WD403L.001	404211333	Порошковое	близкий RAL8019	183	0,041		1,60
WD404L.001	404210391	Анодированное	A00-D6 (серебро)	308	0,069		2,50
WD404L.001	404211533	Порошковое	близкий RAL8019	308	0,069		2,30

Элемент средней петли

Предназначен для соединения петли калитки и петли проема промежуточных панелей. Используется в калитке с плоским, стандартным и низким порогом.

Материалалюминий
 Единица измеренияшт.
 Норма поставки, шт.10

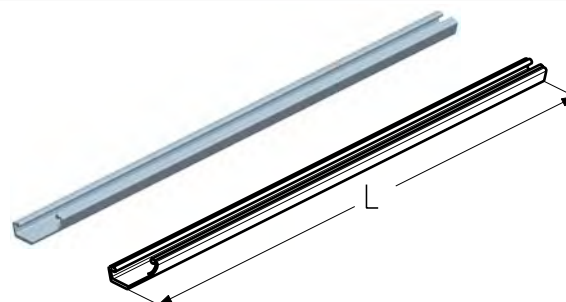


Арт.	Код	Покрытие	Цвет	Длина, мм	Вес, кг/шт.	Применение	Розничная цена, евро с НДС
WD250R.001	404220091	Анодированное	A00-D6 (серебро)	481	0,116	Для ворот с правой калиткой	3,50
WD250R.001	404221033	Порошковое	близкий RAL8019	481	0,116		3,00
WD260R.001	404220191	Анодированное	A00-D6 (серебро)	606	0,146	Для ворот с левой калиткой	4,00
WD260R.001	404221133	Порошковое	близкий RAL8019	606	0,146		3,70

Элемент нижней петли

Предназначен для соединения петли калитки и петли проема нижней панели. Используется в калитке со стандартным порогом.

Материалалюминий
 Единица измеренияшт.
 Норма поставки, шт.10

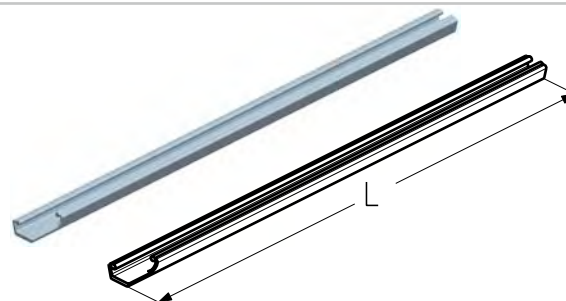


Арт.	Код	Покрытие	Цвет	Длина, мм	Вес, кг/шт.	Применение	Розничная цена, евро с НДС
WD152R.001	404230291	Анодированное	A00-D6 (серебро)	377	0,165	Для ворот с правой калиткой	3,00
WD152R.001	404231433	Порошковое	близкий RAL8019	377	0,165		2,60
WD162R.001	404230691	Анодированное	A00-D6 (серебро)	502	0,220		3,50
WD162R.001	404231833	Порошковое	близкий RAL8019	502	0,220		3,30
WD152L.001	404230391	Анодированное	A00-D6 (серебро)	377	0,165	Для ворот с левой калиткой	3,00
WD152L.001	404231533	Порошковое	близкий RAL8019	377	0,165		2,60
WD162L.001	404230791	Анодированное	A00-D6 (серебро)	502	0,220		3,50
WD162L.001	404231933	Порошковое	близкий RAL8019	502	0,220		3,30

Элемент нижней петли

Предназначен для соединения петли калитки и петли проема нижней панели. Используется в калитке с низким порогом.

Материалалюминий
 Единица измеренияшт.
 Норма поставки, шт.10



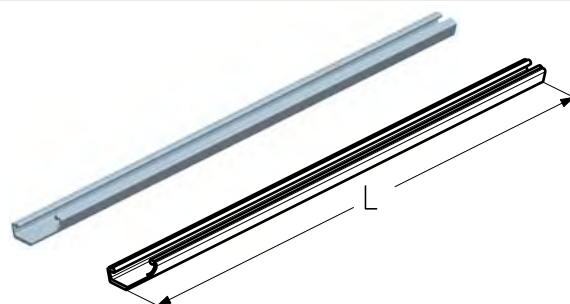
Арт.	Код	Покрытие	Цвет	Длина, мм	Вес, кг/шт.	Применение	Розничная цена, евро с НДС
WD151R.001	404230091	Анодированное	A00-D6 (серебро)	422	0,185	Для ворот с правой калиткой	3,00
WD151R.001	404231233	Порошковое	близкий RAL8019	422	0,185		2,90
WD161R.001	404230491	Анодированное	A00-D6 (серебро)	547	0,240		3,70
WD161R.001	404231633	Порошковое	близкий RAL8019	547	0,240		3,60
WD151L.001	404230191	Анодированное	A00-D6 (серебро)	422	0,185	Для ворот с левой калиткой	3,00
WD151L.001	404231333	Порошковое	близкий RAL8019	422	0,185		2,90
WD161L.001	404230591	Анодированное	A00-D6 (серебро)	547	0,240		3,70
WD161L.001	404231733	Порошковое	близкий RAL8019	547	0,240		3,60

ПЕТЛЯ КАЛИТКИ

Элемент нижней петли

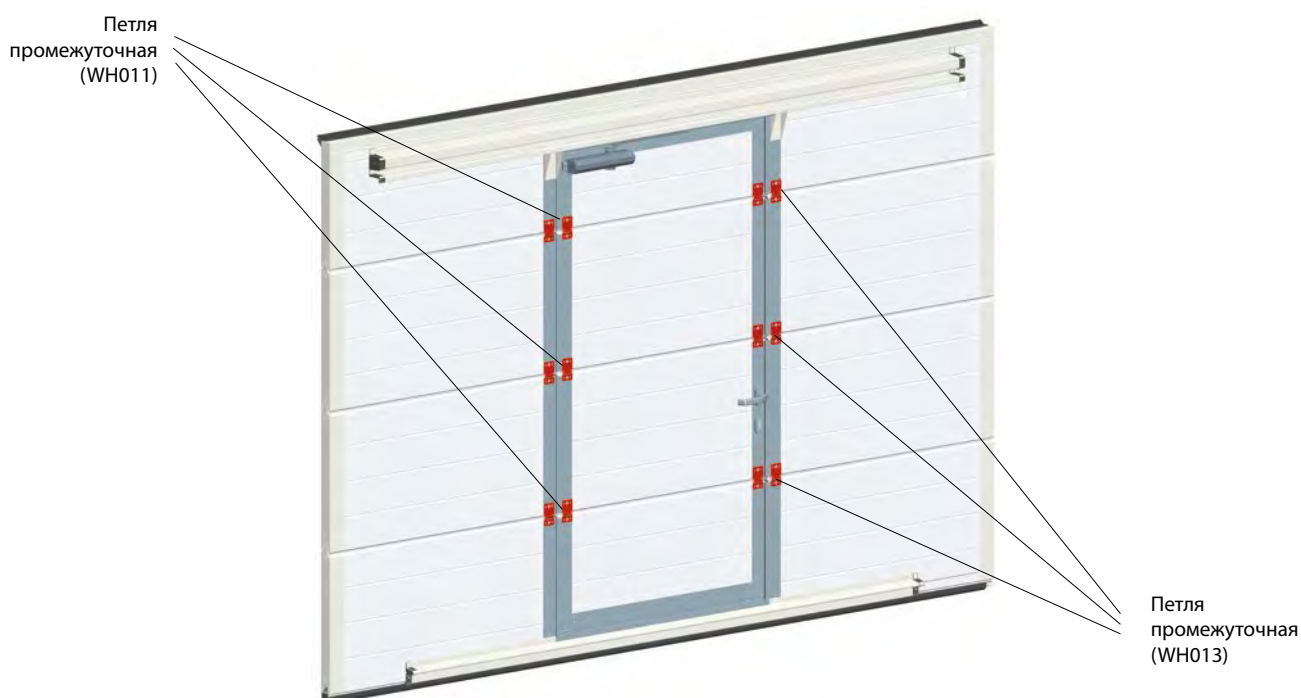
Предназначен для соединения петли калитки и петли проема нижней панели.
Используется в калитке с плоским порогом.

Материалалюминий
Единица измеренияшт.
Норма поставки, шт.10



Арт.	Код	Покрытие	Цвет	Длина, мм	Вес, кг/шт.	Применение	Розничная цена, евро с НДС
WD-153R.001	404232091	Анодированное	A00-D6 (серебро)	493	0,113	Для ворот с правой калиткой	3,40
WD-153R.001	404232033	Порошковое	близкий RAL8019	493	0,113		3,30
WD-153L.001	404233591	Анодированное	A00-D6 (серебро)	618	0,142		3,40
WD-153L.001	404233533	Порошковое	близкий RAL8019	618	0,142		3,30
WD-163R.001	404232191	Анодированное	A00-D6 (серебро)	493	0,113	Для ворот с левой калиткой	4,20
WD-163R.001	404232133	Порошковое	близкий RAL8019	493	0,113		4,00
WD-163L.001	404233691	Анодированное	A00-D6 (серебро)	618	0,142		4,20
WD-163L.001	404233633	Порошковое	близкий RAL8019	618	0,142		4,00

УСТАНОВКА ПЕТЛИ ПРОМЕЖУТОЧНОЙ



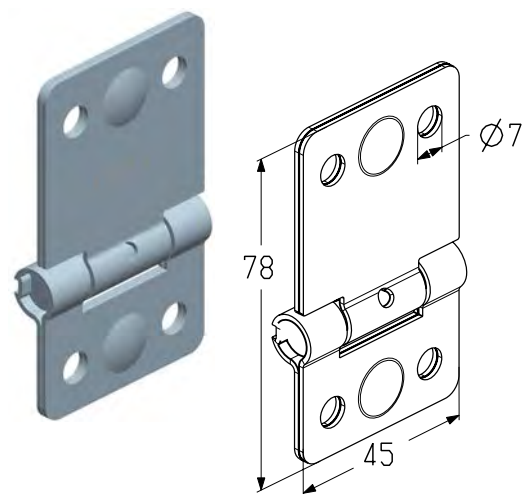
3.2

Петля промежуточная

Предназначена для соединения калиточных панелей.
Используется в калитке с плоским, стандартным и низким порогом.

Материал нержавеющая сталь
Вес, кг/шт. 0,08
Единица измерения шт.
Норма поставки, шт. 40

Арт.	Код	Розничная цена, евро с НДС
WN011	404240100	3,40

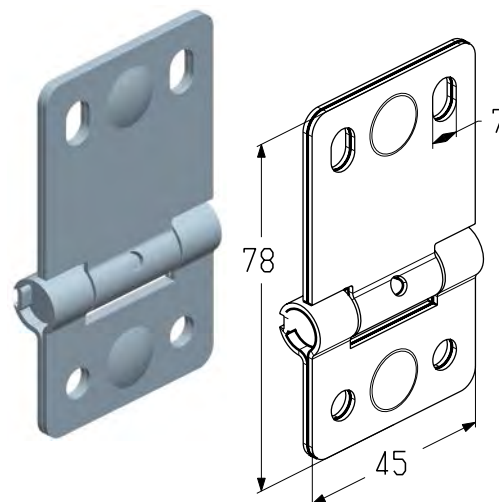


Петля промежуточная

Предназначена для соединения калиточных панелей.
Используется в калитке с плоским, стандартным и низким порогом.

Материал нержавеющая сталь
Вес, кг/шт. 0,08
Единица измерения шт.
Норма поставки, шт. 40

Арт.	Код	Розничная цена, евро с НДС
WN013	404240300	3,80



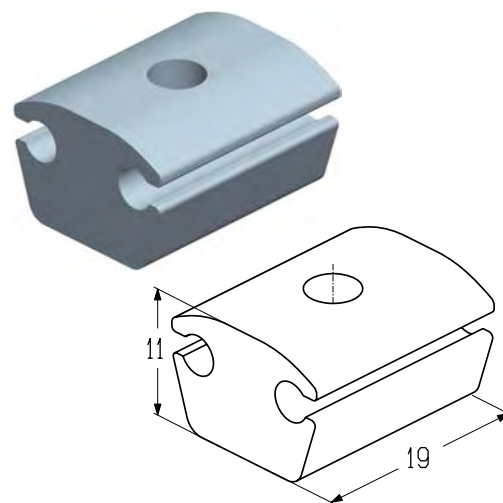
УСТАНОВКА СУХАРЯ



Сухарь

Предназначен для предотвращения взаимного перемещения петли проема относительно петли калитки. Используется в калитке с плоским, стандартным и низким порогом.

Материал пластмасса
 Вес, кг/шт. 0,003
 Единица измерения шт.
 Норма поставки, шт. 100



Арт.	Код	Розничная цена, евро с НДС
WD100	401720100	0,65

УСТАНОВКА ПРОФИЛЯ УСИЛИВАЮЩЕГО

Профиль усиливающий PRG-12



Профиль усиливающий PRG-13



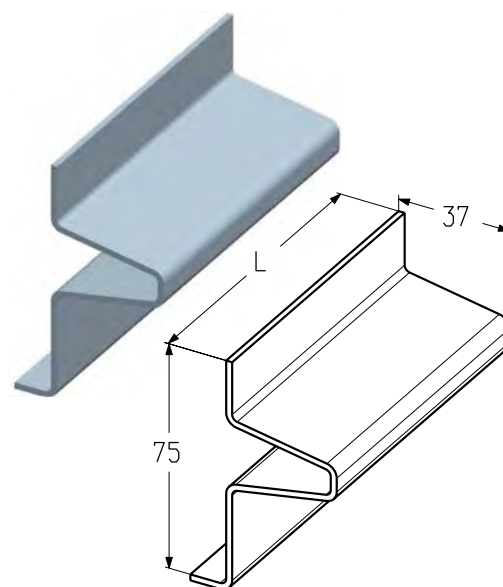
3.2

Профиль усиливающий

Предназначен для усиления нижней калиточной секции.
Используется в калитке с низким порогом.

Материал.....оцинкованная сталь
Покрытие..... полимерное
Цвет..... бело-серый (близкий RAL9002)
Вес, кг/м..... 2,46
Единица измеренияМ

Арт.	Код	Длина, мм	Норма поставки, м		Розничная цена, евро с НДС
			м	шт	
PRG-12	401411110	5940	249,48	42	16,50
		6270	263,34	42	

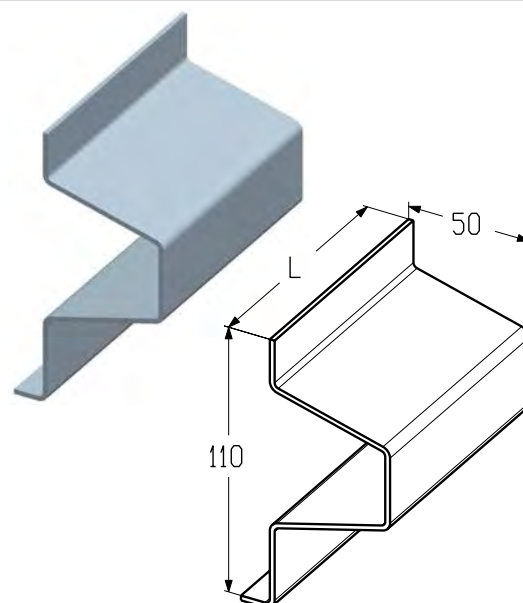


Профиль усиливающий

Предназначен для усиления нижней калиточной секции.
Используется в калитке со стандартным порогом.

Материал.....оцинкованная сталь
Покрытие..... полимерное
Цвет..... бело-серый (близкий RAL9002)
Вес, кг/м..... 3,04
Единица измеренияМ

Арт.	Код	Длина, мм	Норма поставки, м		Розничная цена, евро с НДС
			м	шт	
PRG-13	401411210	4620	138,6	30	23,00
		4950	148,5	30	
		6600	198,0	30	



ПРОФИЛИ ДЛЯ ВСТРОЕННОЙ КАЛИТКИ

УСТАНОВКА ЗАГЛУШКИ

Заглушка WD12PR/L

Заглушка WD13PR/L

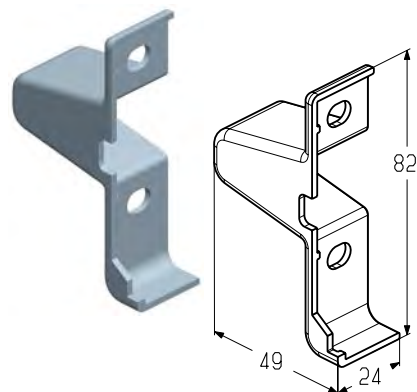


Заглушка

Устанавливается совместно с профилем усиливающим (PRG12).
Используется в калитке с низким порогом.

МатериалPA
Вес, кг/шт.0,009
Единица измеренияшт.
Норма поставки, шт. 650

Арт.	Код	Примечание	Розничная цена, евро с НДС
WD12PL	401712200	Левый	0,50
WD12PR	401712100	Правый	0,50

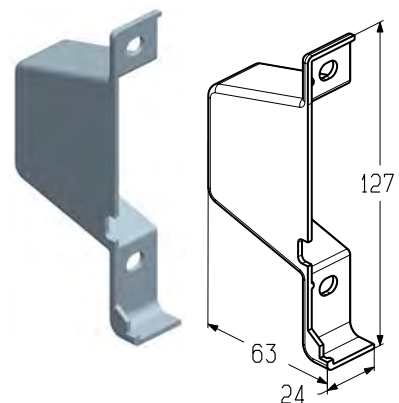


Заглушка

Устанавливается совместно с профилем усиливающим (PRG13).
Используется в калитке со стандартным порогом.

МатериалPA
Вес, кг/шт.0,016
Единица измеренияшт.
Норма поставки, шт. 400

Арт.	Код	Примечание	Розничная цена, евро с НДС
WD13PL	401712400	Левый	0,70
WD13PR	401712300	Правый	0,70

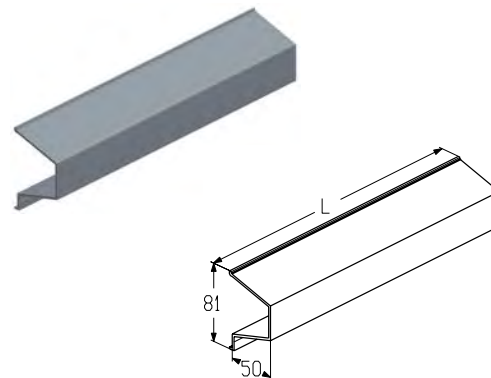


Профиль воротный

Предназначен для усиления нижней панорамной калиточной секции.
Используется в калитке со стандартным порогом.

Материалалюминий
Длина, мм6000
Покрытие..... анодированное
Цвет..... A00-D6 (серебристый металлик)
Вес, кг/м 1,016
Единица измерениям
Норма поставки, м24

Арт.	Код	Розничная цена, евро с НДС
PRD13	400557	19,00



УСТАНОВКА ПРОФИЛЯ УСИЛИВАЮЩЕГО

Профиль усиливающий PRG-16



Профиль усиливающий PRG-17

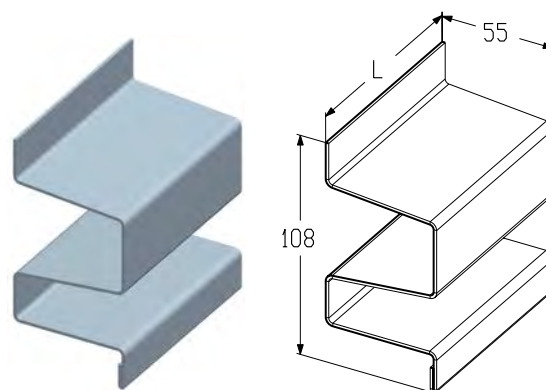


3.2

Профиль усиливающий

Предназначен для усиления верхней калиточной секции. Используется при врезке калитки в последнюю воротную панель. Используется в калитке с плоским, стандартным и низким порогом.

Материал.....оцинкованная сталь
 Покрытие.....полимерное
 Цвет.....бело-серый (близкий RAL9002)
 Вес, кг/м.....3,20
 Единица измеренияМ

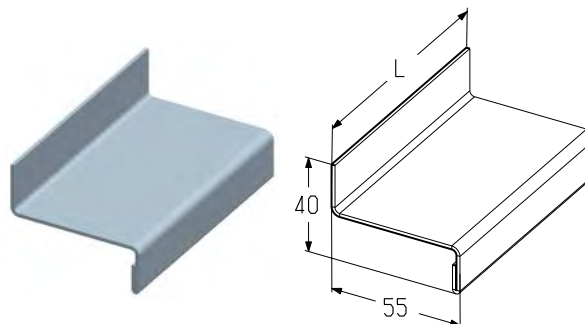


Арт.	Код	Длина, мм	Норма поставки, м		Розничная цена, евро с НДС
			м	шт	
PRG-16	401411510	5280	158,4	30	28,00
		6600	198,0	30	

Профиль усиливающий

Предназначен для усиления верхней калиточной секции. Используется при врезке калитки в ворота, собранные из 5 и более панелей. Используется в калитке с плоским, стандартным и низким порогом.

Материал.....оцинкованная сталь
 Покрытие.....полимерное
 Цвет.....бело-серый (близкий RAL9002)
 Вес, кг/м.....1,20
 Единица измеренияМ



Арт.	Код	Длина, мм	Норма поставки, м		Розничная цена, евро с НДС
			м	шт	
PRG-17	401411610	5280	58,8	100	11,00
		6600	66,0	100	

ПРОФИЛИ ДЛЯ ВСТРОЕННОЙ КАЛИТКИ

УСТАНОВКА ЗАГЛУШКИ

Заглушка WD16PR/L

Заглушка WD17PR/L

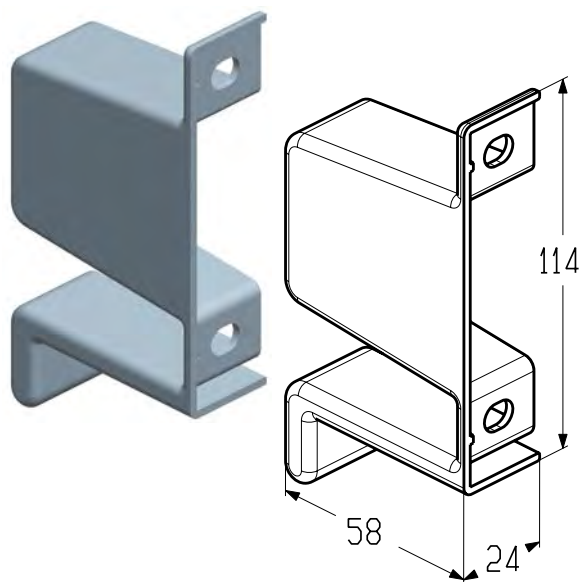


Заглушка

Устанавливается совместно с профилем усиливающим (PRG16).
Используется в калитке с плоским, стандартным и низким порогом.

МатериалРА
Вес, кг/шт.....0,024
Единица измеренияшт.
Норма поставки, шт. 200

Арт.	Код	Примечание	Розничная цена, евро с НДС
WD16PL	401712600	Левый	1,10
WD16PR	401712500	Правый	1,10

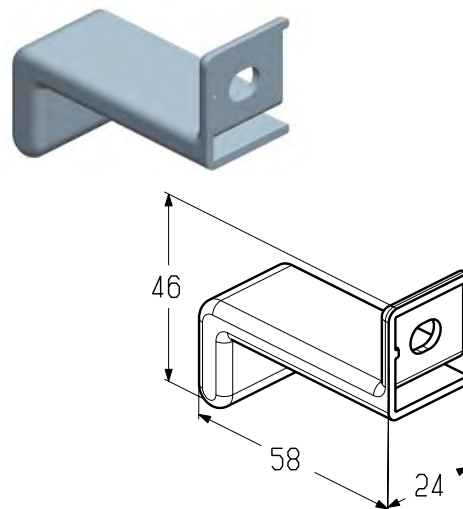


Заглушка

Устанавливается совместно с профилем усиливающим (PRG17).
Используется в калитке с плоским, стандартным и низким порогом.

МатериалРА
Вес, кг/шт.....0,01
Единица измеренияшт.
Норма поставки, шт. 500

Арт.	Код	Примечание	Розничная цена, евро с НДС
WD17PL	401712800	Левый	0,55
WD17PR	401712700	Правый	0,55

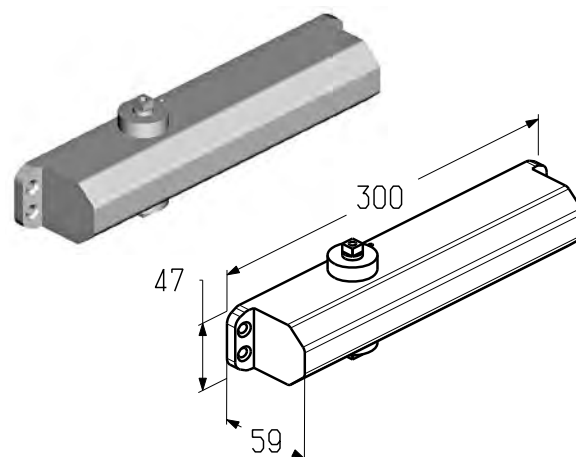


Доводчик дверной

Предназначен для автоматического закрывания калитки. Используется совместно с тягой для доводчика (DP0208). Используется в калитке с плоским, стандартным и низким порогом.

Вес, кг/шт..... 2,71
 Единица измеренияшт.
 Норма поставки, шт.....10

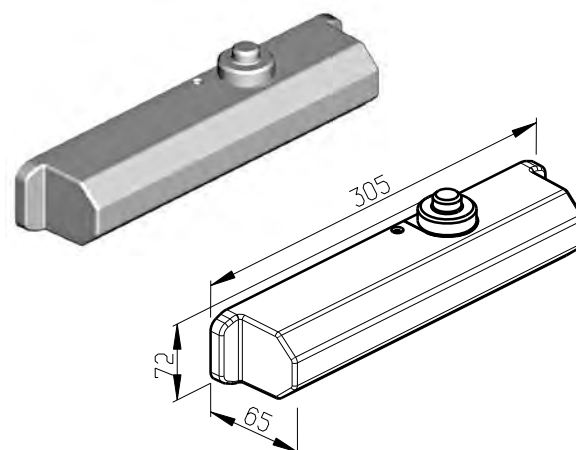
Арт.	Код	Розничная цена, евро с НДС
DP0207	404401000	84,40


Крышка доводчика

Устанавливается совместно с доводчиком (DP0207). Используется в калитке с плоским, низким и стандартным порогом.

МатериалABS
 Вес, кг/шт..... 0,10
 Единица измеренияшт.
 Норма поставки, шт.....10

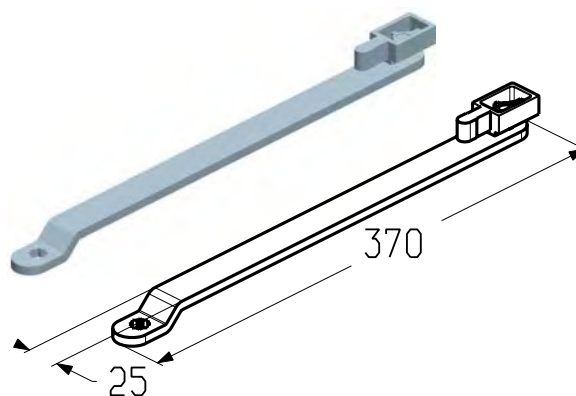
Арт.	Код	Розничная цена, евро с НДС
DP2027	404470200	5,80


Тяга для доводчика

Предназначена для установки совместно с доводчиком дверным (DP0207). Используется в калитке с плоским, стандартным и низким порогом.

Вес, кг/шт..... 0,907
 Единица измеренияшт.
 Норма поставки, шт.....10

Арт.	Код	Розничная цена, евро с НДС
DP2010	404406000	11,10



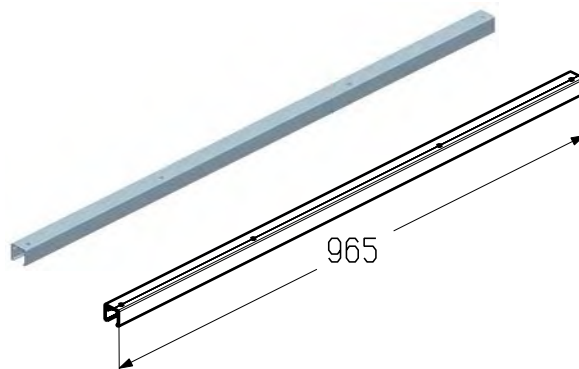
АКСЕССУАРЫ ДЛЯ ВСТРОЕННОЙ КАЛИТКИ

Шина доводчика

Предназначена для движения тяги доводчика (DP2010).
Устанавливается совместно с профилем усиливающим (PRG16, PRG17).
Используется в калитке с плоским, стандартным и низким порогом.

Длина, мм 965
Материал алюминий
Вес, кг/шт 0,52
Единица измерения шт.
Норма поставки, шт 10

Арт.	Код	Примечание	Розничная цена, евро с НДС
WD403R.108	404470191	A00-D6 (анодирование)	12,20
WD403R.108	404470133	близкий RAL8019	12,20



Контакт калитки

Предназначен для отключения электропривода при открытой калитке.
Используется в калитке с плоским, стандартным и низким порогом.

Вес, кг/шт 0,003
Единица измерения шт.
Норма поставки, шт 10

Арт.	Код	Розничная цена, евро с НДС
SS0206	404403000	4,40



Кабель

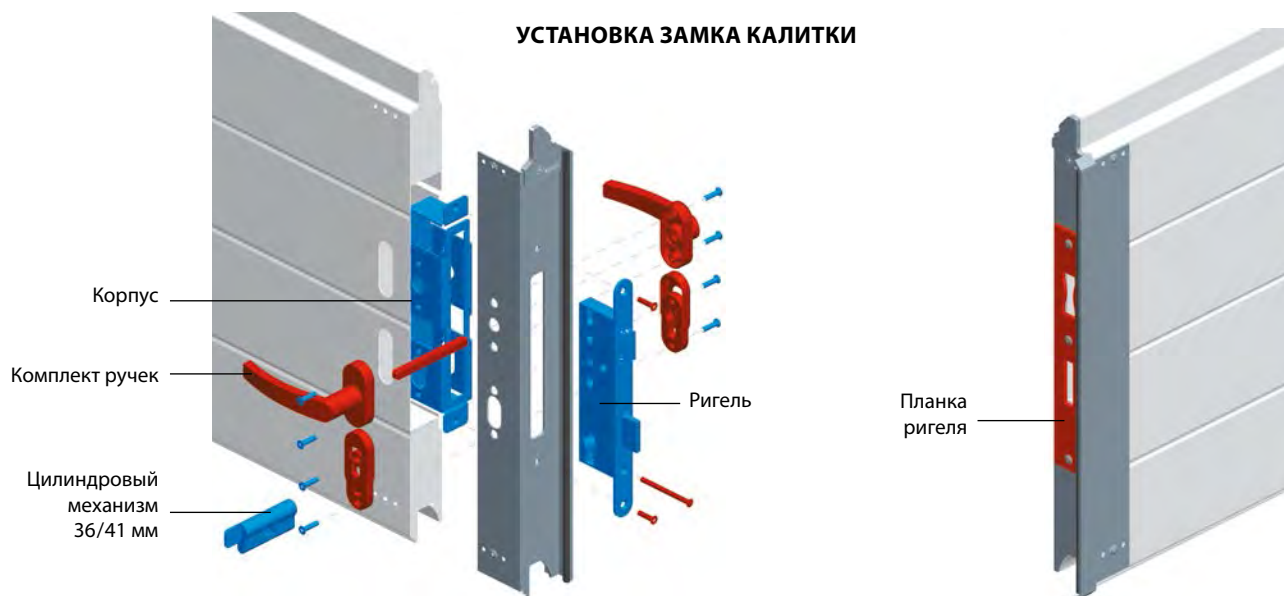
Предназначен для подключения контакта калитки (SS0206) к блоку управления.
Используется в калитке с плоским, стандартным и низким порогом.

Вес, кг/м 0,03
Единица измерения м
Норма поставки, м 250

Арт.	Код	Розничная цена, евро с НДС
C2x0,5	404404000	0,90



УСТАНОВКА ЗАМКА КАЛИТКИ

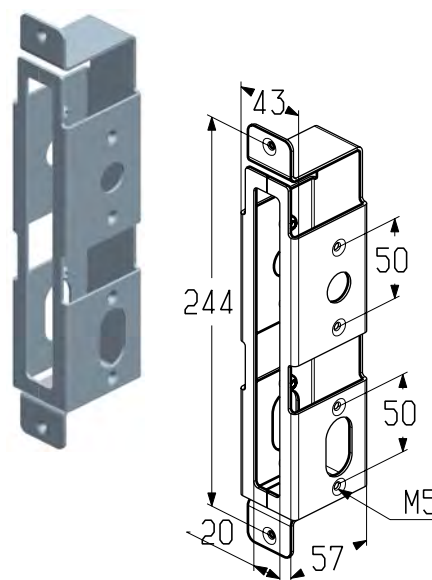


Корпус

Предназначен для установки ригеля (WL0202).
Используется в калитке с плоским, стандартным и низким порогом.

Материал.....оцинкованная сталь
Вес, кг/шт.....0,482
Единица измеренияшт.
Норма поставки, шт.....10

Арт.	Код	Розничная цена, евро с НДС
WL2012	401740100	15,10

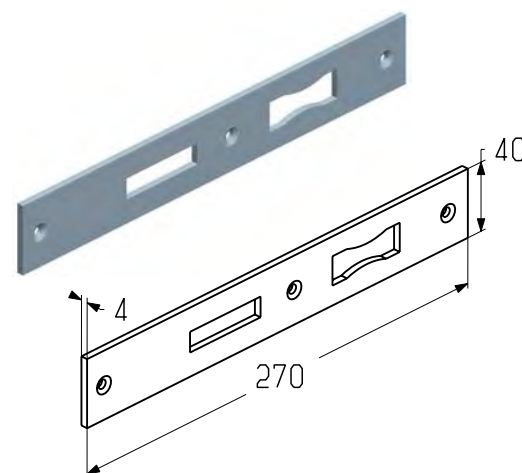


Планка ригеля

Предназначена для установки на обрамление проема среднее (WD250R/L.302, WD260R/L.302).
Используется в калитке с плоским, стандартным и низким порогом.

Материал.....нержавеющая сталь
Вес, кг/шт.....0,13
Единица измеренияшт.
Норма поставки, шт.....10

Арт.	Код	Розничная цена, евро с НДС
WL0200	404410400	3,00

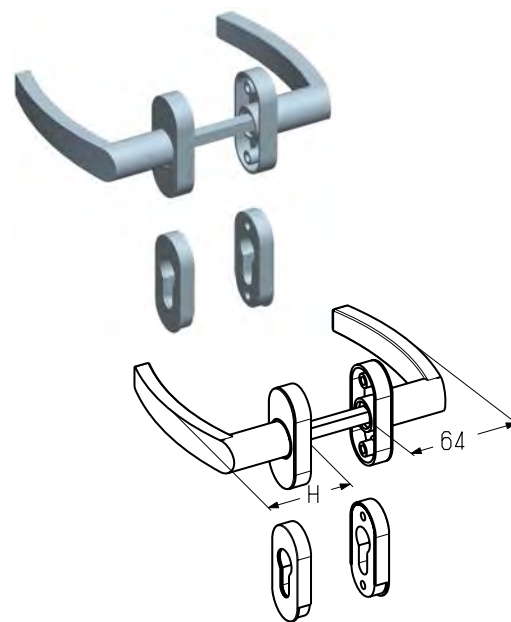


АКСЕССУАРЫ ДЛЯ ВСТРОЕННОЙ КАЛИТКИ

Комплект ручек

Предназначен для установки в калитку с плоским, стандартным и низким порогом.

Материал цинковый сплав
 Вес, кг/шт. 0,9
 Единица измерения шт.
 Норма поставки, шт. 10



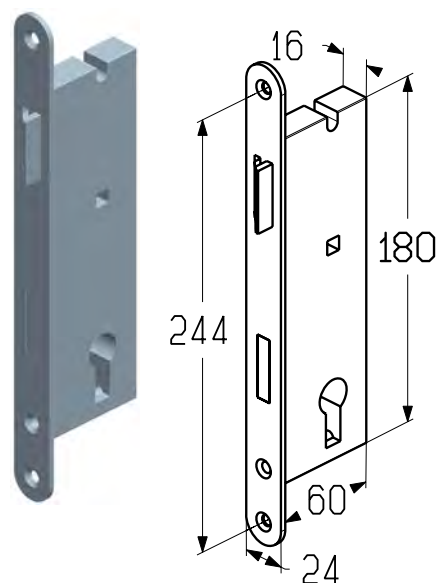
Арт.	Код	Покрытие	Цвет	Вылет наружной ручки от полотна ворот (H), мм	Применение	Розничная цена, евро с НДС
WL2021-SL	404410191	Анодированное	A00-D6 (анодирование)	64	<ul style="list-style-type: none"> для гаражных ворот стандартного типа монтажа; для промышленных ворот всех типов монтажа, кроме высоких, вертикальных и наклонных высоких типов монтажа. 	40,70
WL2021-BR	404410133	Порошковое	близкий RAL8019	64		28,40
WL2022-SL	404410291	Анодированное	A00-D6 (серебро)	24	<ul style="list-style-type: none"> для гаражных ворот низкого и высокого типов монтажа; для промышленных ворот высоких, вертикальных и высоких наклонных типов монтажа с верхним и нижним расположением вала. 	31,50
WL2022-BR	404410233	Порошковое	близкий RAL8019	24		40,70

АКСЕССУАРЫ ДЛЯ ВСТРОЕННОЙ КАЛИТКИ
Ригель

Предназначен для установки совместно с корпусом вкладным (WL0201).
Используется в калитке с плоским, стандартным и низким порогом.

Вес, кг/шт.0,63
 Единица измеренияшт.
 Норма поставки, шт.10

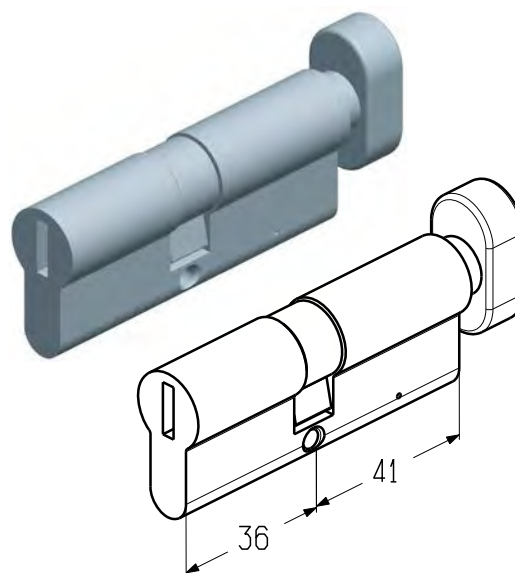
Арт.	Код	Розничная цена, евро с НДС
WL0202	404410300	46,00


Цилиндрический механизм 36/41 мм

Предназначен для установки совместно с ригелем (WL0202).
Используется в калитке с плоским, стандартным и низким порогом.

Вес, кг/шт.0,294
 Единица измеренияшт.
 Норма поставки, шт.10

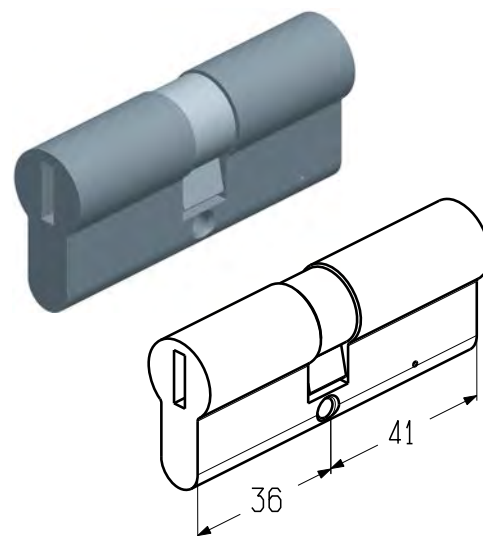
Арт.	Код	Розничная цена, евро с НДС
C-36/41M	404410700	16,40


Цилиндрический механизм 36/41 мм

Предназначен для установки совместно с ригелем (WL0202).
Используется в калитке с плоским, стандартным и низким порогом.

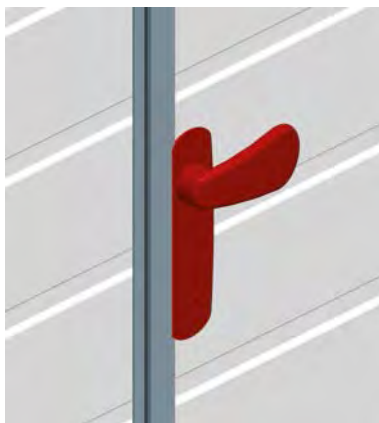
Вес, кг/шт.0,264
 Единица измеренияшт.
 Норма поставки, шт.10

Арт.	Код	Розничная цена, евро с НДС
C-36/41	404410500	16,40



УСТАНОВКА УСТРОЙСТВА ЭКСТРЕННОГО ОТКРЫВАНИЯ ДВЕРЕЙ

вид снаружи



вид изнутри



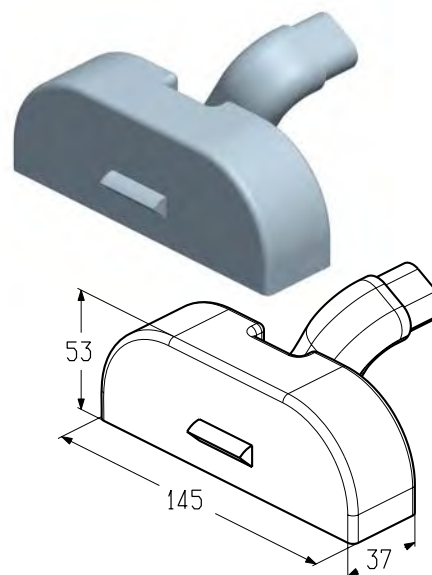
3.2

Центральный замок

Предназначен для запираения калитки.
Используется в калитке с плоским, стандартным и низким порогом.

Вес, кг/шт.....0,84
Единица измерения шт.
Норма поставки, шт..... 1

Арт.	Код	Розничная цена, евро с НДС
PED2016	407480100	107,70

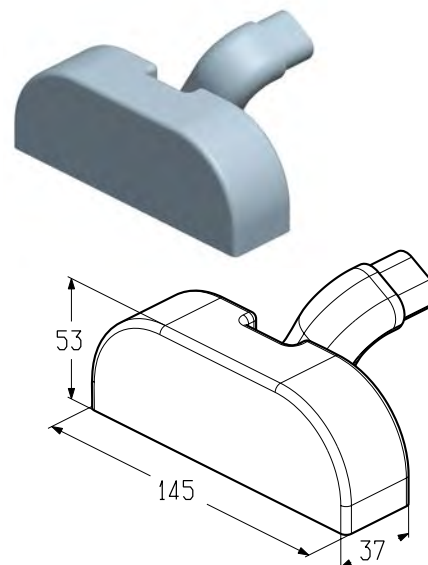


Механизм

Устанавливается совместно с центральным замком (PED2016) и нажимной штангой (PED2018).
Используется в калитке с плоским, стандартным и низким порогом.

Материал..... оцинкованная сталь
Вес, кг/шт.....0,82
Единица измерения шт.
Норма поставки, шт..... 1

Арт.	Код	Розничная цена, евро с НДС
PED2017	407480200	89,30

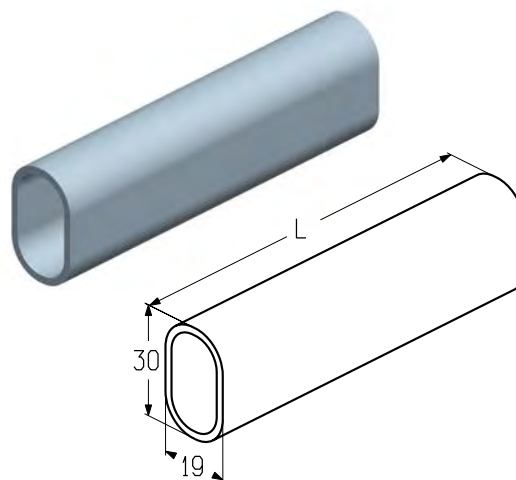


Нажимная штанга

Предназначен для открытия калитки с внутренней стороны.
Используется в калитке с плоским, стандартным и низким порогом.

Длина, мм 830
 Материал сталь
 Покрытие порошковое
 Цвет красный
 Вес, кг/шт. 0,68
 Единица измерения шт.
 Норма поставки, шт. 1

Арт.	Код	Розничная цена, евро с НДС
PED2018	407480300	26,20



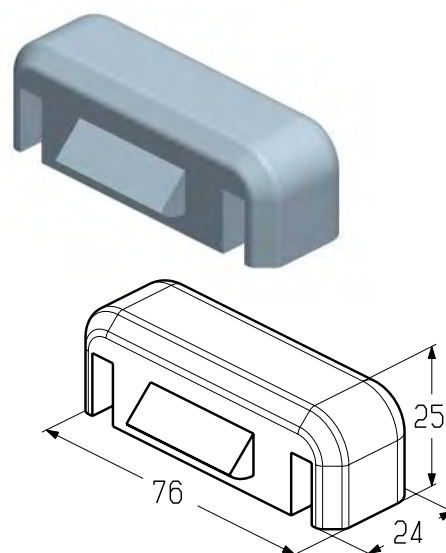
3.2

Ответная часть для центрального замка

Устанавливается совместно с механизмом (PED2017) и нажимной штангой (PED2018). Используется в калитке с плоским, стандартным и низким порогом.

Материал оцинкованная сталь
 Вес, кг/шт. 0,14
 Единица измерения шт.
 Норма поставки, шт. 1

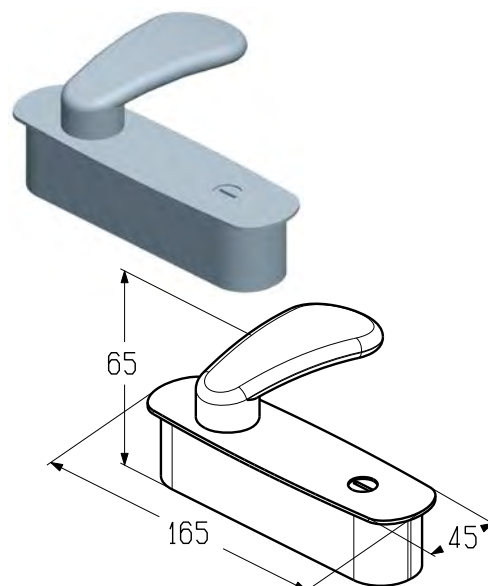
Арт.	Код	Розничная цена, евро с НДС
PED2019	407480400	20,00


Наружная нажимная ручка

Предназначена для открытия калитки с наружной стороны.
Используется в калитке с плоским, стандартным и низким порогом.

Цвет серебристый
 Вес, кг/шт. 1,05
 Единица измерения шт.
 Норма поставки, шт. 1

Арт.	Код	Розничная цена, евро с НДС
PED2020	407480500	133,85



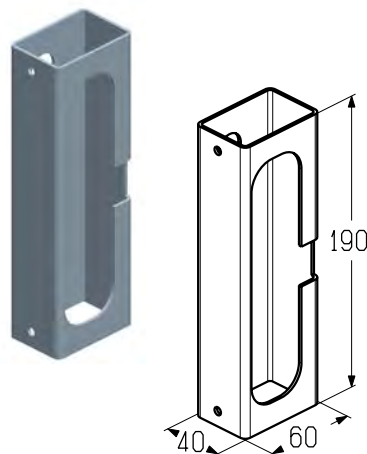
АКСЕССУАРЫ ДЛЯ ВСТРОЕННОЙ КАЛИТКИ

Корпус

Предназначен для установки совместно с наружной нажимной ручкой (PED2020).
Используется в калитке с плоским, стандартным и низким порогом.

Материал..... Сталь
 Покрытие порошковое
 Цвет бело-серый (близкий RAL9002)
 Вес, кг/шт..... 0,50
 Единица измерения шт.
 Норма поставки, шт..... 1

Арт.	Код	Примечание	Розничная цена, евро с НДС
PED2025L	407480700	Левый	10,80
PED2025R	407480600	Правый	10,80



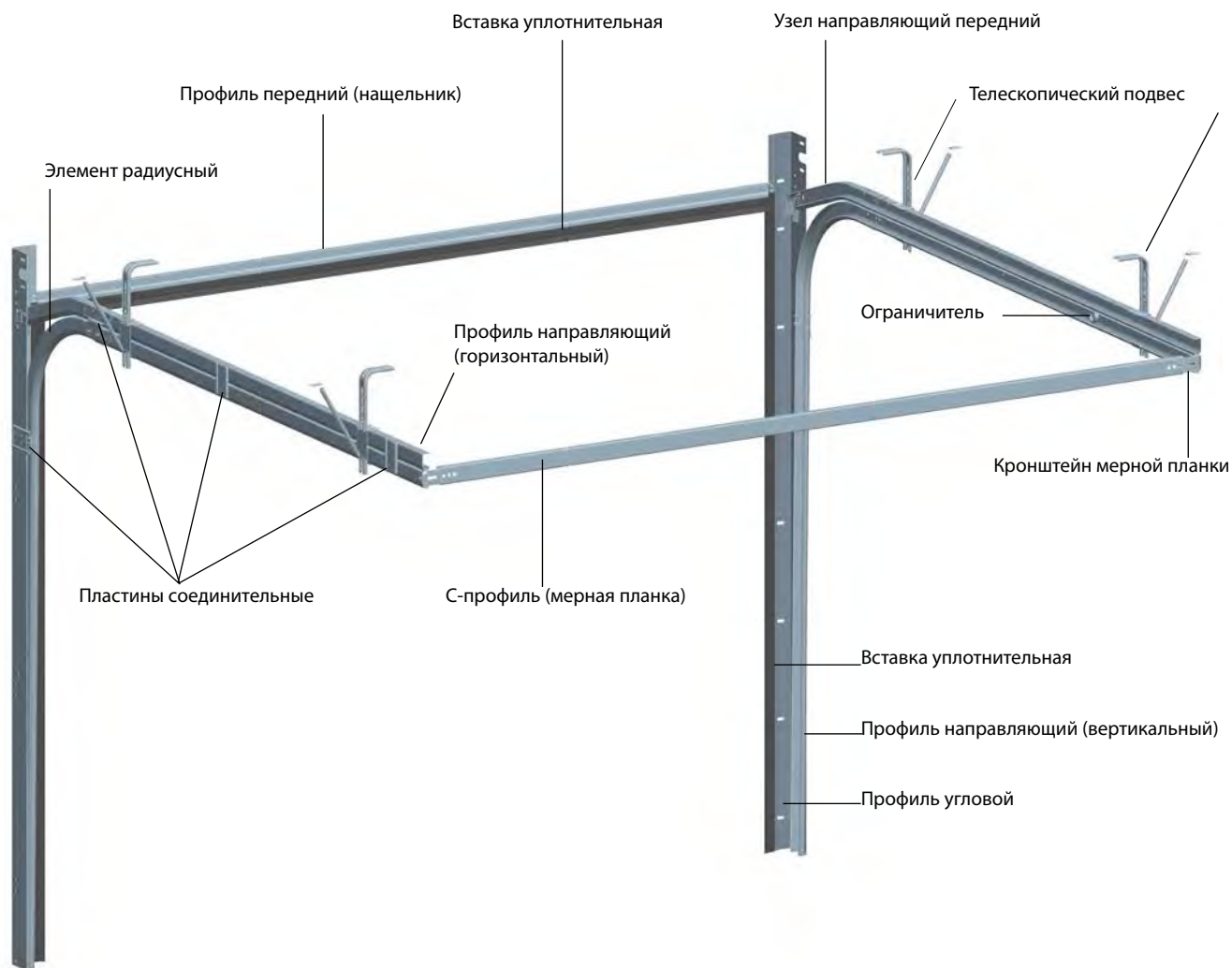
3.2



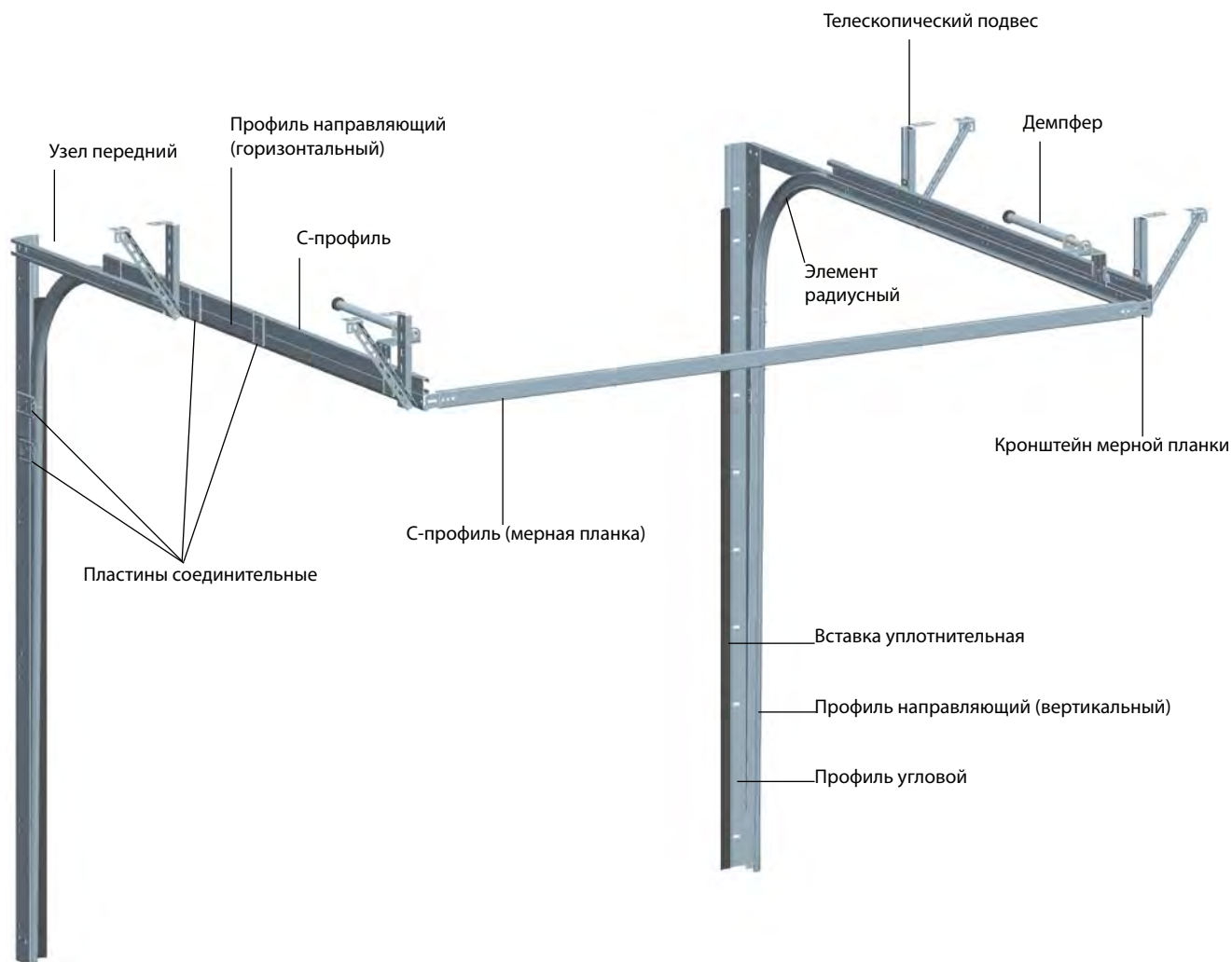
**СИСТЕМЫ НАПРАВЛЯЮЩИХ
И ПОДВЕСА**

ТИПОВАЯ КОНСТРУКЦИЯ СИСТЕМЫ НАПРАВЛЯЮЩИХ И ПОДВЕСА
ГАРАЖНЫХ ВОРОТ СТАНДАРТНОГО ТИПА МОНТАЖА

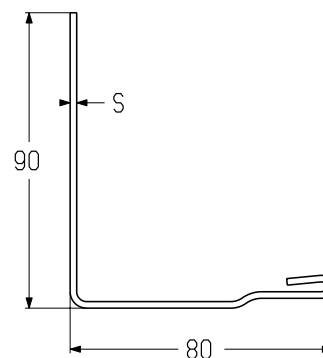
3.3



**ТИПОВАЯ КОНСТРУКЦИЯ СИСТЕМЫ НАПРАВЛЯЮЩИХ И ПОДВЕСА
ПРОМЫШЛЕННЫХ ВОРОТ СТАНДАРТНОГО ТИПА МОНТАЖА**



УСТАНОВКА ПРОФИЛЯ УГЛОВОГО



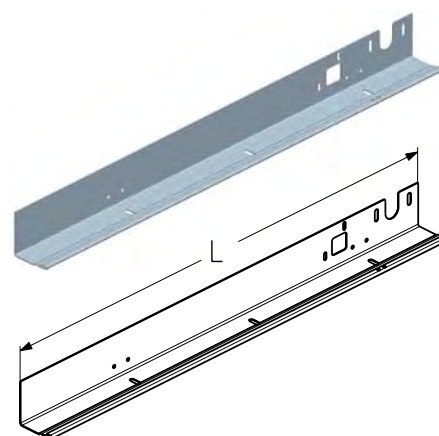
3.3

Профиль угловой

Предназначен для изготовления вертикальных направляющих. Используется в гаражных воротах стандартного типа монтажа.

Толщина (S), мм.....1,2
 Материал..... оцинкованная сталь
 Вес, кг/м.....1,65
 Единица измеренияМ

Арт.	Код	Примечание	Длина, мм		Норма поставки		Розничная цена, евро с НДС
			мм	м	шт.	шт.	
PRG32NL	402010900	Левый	2295	34,425	15	7,60	
			2420	36,300	15		
			2545	38,175	15		
			2670	40,050	15		
			2810	42,150	15		
			3010	45,150	15		
PRG32NR	402011000	Правый	2295	34,425	15	7,60	
			2420	36,300	15		
			2545	38,175	15		
			2670	40,050	15		
			2810	42,150	15		
			3010	45,150	15		

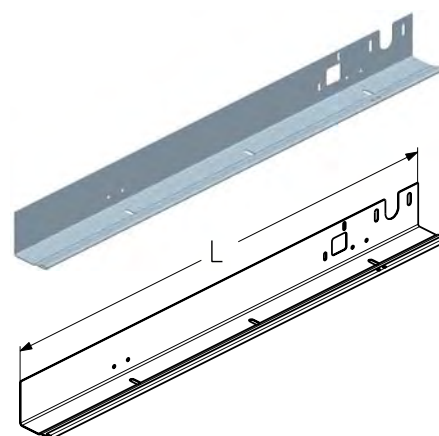


Профиль угловой

Предназначен для изготовления вертикальных направляющих. Используется в гаражных воротах стандартного типа монтажа.

Толщина (S), мм.....1,5
 Материал..... оцинкованная сталь
 Вес, кг/м.....2,087
 Единица измеренияМ

Арт.	Код	Примечание	Длина, мм		Норма поставки		Розничная цена, евро с НДС
			мм	м	шт.	шт.	
PRG02NL	402022900	Левый	2295	34,425	15	11,50	
			2420	36,300	15		
			2545	38,175	15		
			2670	40,050	15		
			2810	42,150	15		
			3010	45,150	15		
PRG02NR	40202300	Правый	2295	34,425	15	11,50	
			2420	36,300	15		
			2545	38,175	15		
			2670	40,050	15		
			2810	42,150	15		
			3010	45,150	15		



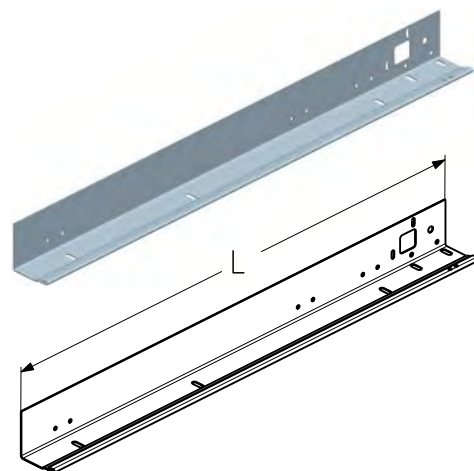
ПРОФИЛИ УГЛОВЫЕ

Профиль угловой

Предназначен для изготовления вертикальных направляющих.
Используется в гаражных воротах низкого типа монтажа.

Толщина (S), мм.....1,2
Материал..... оцинкованная сталь
Вес, кг/м.....1,65
Единица измеренияМ

Арт.	Код	Примечание	Длина, мм	Норма поставки		Розничная цена, евро с НДС
				м	шт.	
PRG32LL	402011100	Левый	2295	34,425	15	7,60
			2420	36,300	15	
			2545	38,175	15	
			2670	40,050	15	
			2810	42,150	15	
			3010	45,150	15	
PRG32LR	402011200	Правый	2295	34,425	15	7,60
			2420	36,300	15	
			2545	38,175	15	
			2670	40,050	15	
			2810	42,150	15	
			3010	45,150	15	

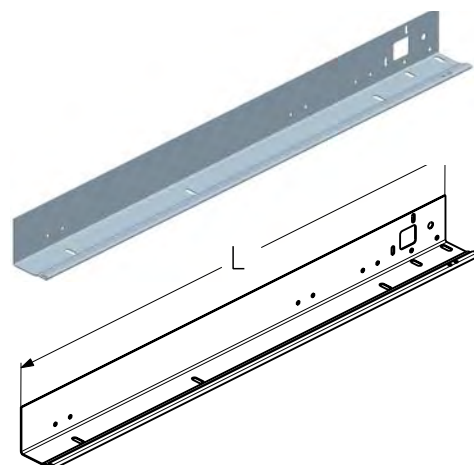


Профиль угловой

Предназначен для изготовления вертикальных направляющих.
Используется в гаражных воротах низкого типа монтажа.

Толщина (S), мм.....1,5
Материал..... оцинкованная сталь
Вес, кг/м.....2,106
Единица измеренияМ

Арт.	Код	Примечание	Длина, мм	Норма поставки		Розничная цена, евро с НДС
				м	шт.	
PRG02LL	402023100	Левый	2295	34,425	15	11,50
			2420	36,300	15	
			2545	38,175	15	
			2670	40,050	15	
			2810	42,150	15	
PRG02LR	402022700	Правый	2295	34,425	15	11,50
			2420	36,300	15	
			2545	38,175	15	
			2670	40,050	15	
			2810	42,150	15	

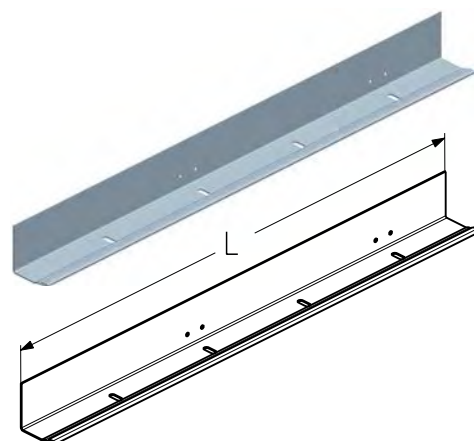


Профиль угловой

Предназначен для изготовления вертикальных направляющих.
Используется в гаражных воротах высокого типа монтажа.

Толщина (S), мм.....1,2
Длина, мм.....4375
Материал..... оцинкованная сталь
Вес, кг/м.....1,65
Единица измеренияМ

Арт.	Код	Норма поставки		Розничная цена, евро с НДС
		м	шт.	
PRG32H	402013300	131,25	30	7,60

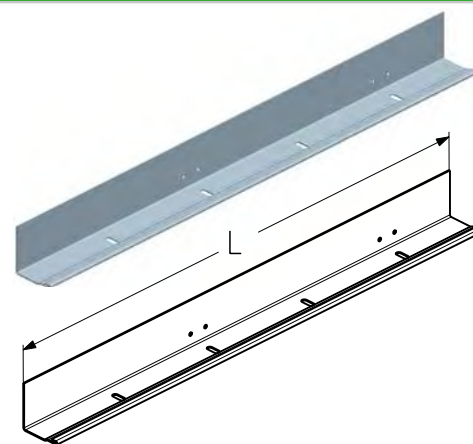


Профиль угловой

Предназначен для изготовления вертикальных направляющих.
Используется в гаражных воротах высокого типа монтажа.

Толщина (S), мм.....1,5
 Материал..... оцинкованная сталь
 Вес, кг/м.....2,04
 Единица измеренияМ

Арт.	Код	Длина, мм	Норма поставки		Розничная цена, евро с НДС
			м	шт.	
PRG02H	402022800	4600	138	30	11,50



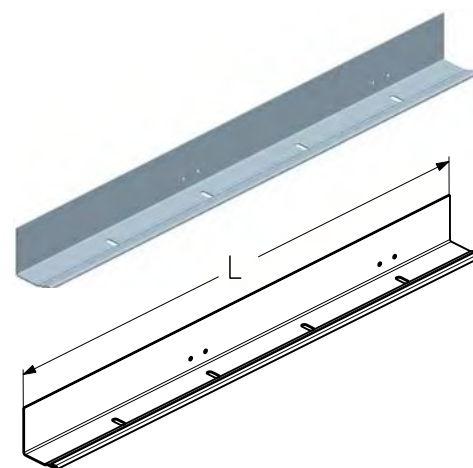
3.3

Профиль угловой

Предназначен для изготовления вертикальных направляющих.
Используется в промышленных воротах всех типов монтажа, кроме низкого и наклонного низкого.

Толщина (S), мм..... 2
 Материал..... оцинкованная сталь
 Вес, кг/м..... 2,67
 Единица измеренияМ

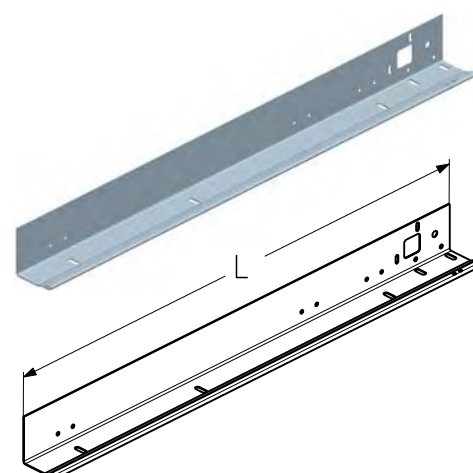
Арт.	Код	Длина, мм	Норма поставки		Розничная цена, евро с НДС
			м	шт.	
PRG01	402032000	3355	100,65	30	13,00
		3855	115,65	30	
		4255	127,65	30	
		4555	136,65	30	
		4755	142,65	30	
		5055	151,65	30	
6000	180,00	30			


Профиль угловой

Предназначен для изготовления вертикальных направляющих.
Используется в промышленных воротах низкого типа монтажа.

Толщина (S), мм..... 2
 Материал..... оцинкованная сталь
 Вес, кг/м..... 2,66
 Единица измеренияМ

Арт.	Код	Примечание	Длина, мм	Норма поставки		Розничная цена, евро с НДС
				м	шт.	
PRG01LL	402032100	Левый	3355	100,65	30	13,00
			3855	115,65	30	
			4255	127,65	30	
			4555	136,65	30	
			4755	142,65	30	
			5055	151,65	30	
PRG01LR	402032200	Правый	3355	100,65	30	13,00
			3855	115,65	30	
			4255	127,65	30	
			4555	136,65	30	
			4755	142,65	30	
			5055	151,65	30	
6000	180,00	30				



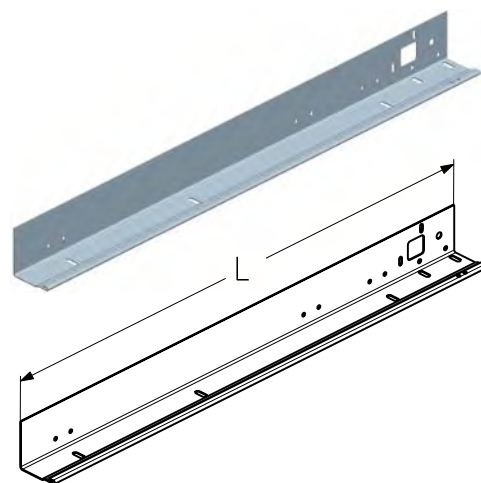
ПРОФИЛИ УГЛОВЫЕ

Профиль угловой

Предназначен для изготовления вертикальных направляющих.
Используется в промышленных воротах наклонного низкого типа монтажа.

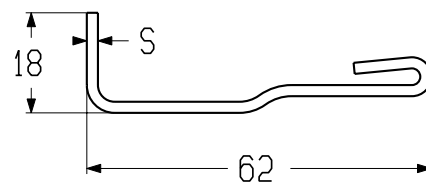
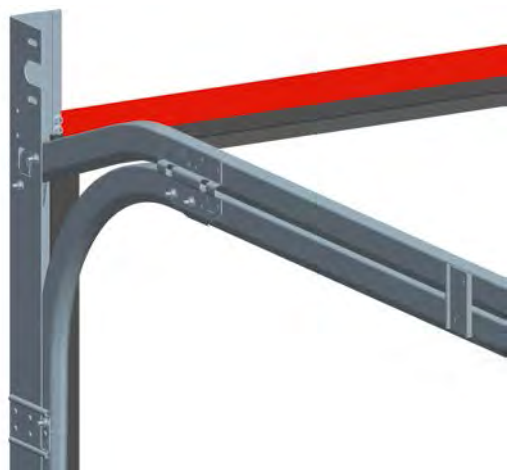
Толщина (S), мм 2
 Материал оцинкованная сталь
 Вес, кг/м 2,66
 Единица измерения м

Арт.	Код	Примечание	Длина, мм	Норма поставки		Розничная цена, евро с НДС
				м	шт.	
PRG01LFL	402032300	Левый	3355	100,65	30	13,00
			3855	115,65	30	
			4255	127,65	30	
			4555	136,65	30	
			4755	142,65	30	
			5055	151,65	30	
PRG01LFR	402032400	Правый	3355	100,65	30	13,00
			3855	115,65	30	
			4255	127,65	30	
			4555	136,65	30	
			4755	142,65	30	
			5055	151,65	30	
			6000	180,00	30	



3.3

УСТАНОВКА ПРОФИЛЯ ПЕРЕДНЕГО



3.3

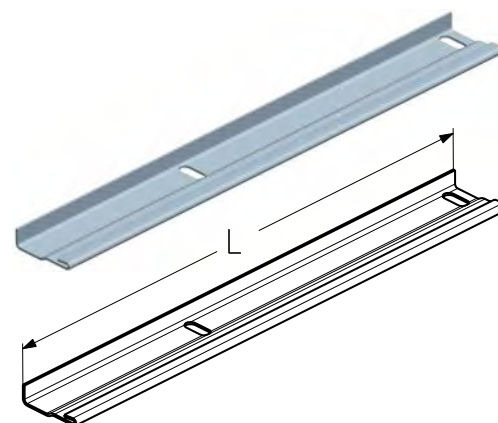
Профиль передний (нащельник)

Предназначен для соединения профилей угловых и для крепления вставки уплотнительной (IS85).

Используется:

- в гаражных воротах стандартного и низкого типов монтажа;
- в промышленных воротах низкого и наклонного низкого типов монтажа.

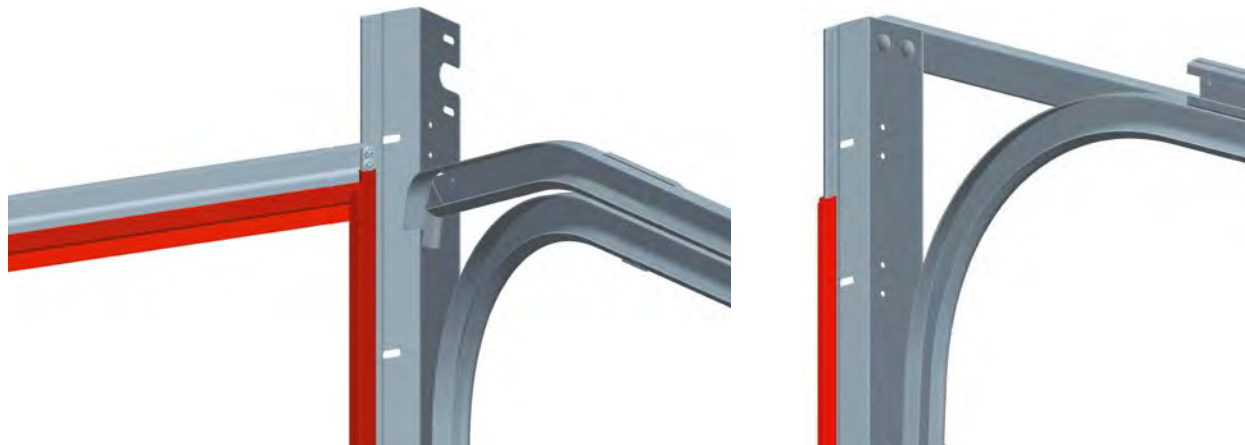
Толщина (S), мм.....1,2
 Материал.....оцинкованная сталь
 Вес, кг/м.....0,825
 Единица измерения..... м



Арт.	Код	Длина, мм	Норма поставки		Розничная цена, евро с НДС
			м	шт.	
PRG05S	402431000	2540	152,40	60	4,40
		2840	170,40	60	
		3040	182,40	60	
		3540	212,40	60	
		4040	242,40	60	
		4540	272,40	60	
		5060	303,60	60	
6000	360,00	60			

ПРОФИЛИ НАПРАВЛЯЮЩИЕ

УСТАНОВКА ВСТАВКИ УПЛОТНИТЕЛЬНОЙ



Вставка уплотнительная

Предназначена для герметизации проема.

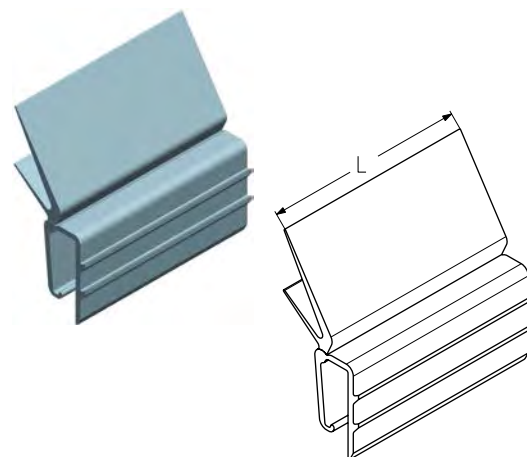
Устанавливается:

- совместно с профилем передним в гаражных воротах стандартного и низкого типов монтажа;
- совместно с профилем передним в промышленных воротах низкого и наклонного низкого типов монтажа;
- совместно с профилем угловым в гаражных и промышленных воротах всех типов монтажа.

Материал.....PVC и TPR

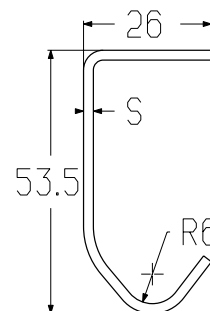
Вес, кг/м.....0,2

Единица измерениям



Арт.	Код	Длина, мм	Норма поставки		Розничная цена, евро с НДС
			м	шт.	
IS85-2550	401540600	2550	25,5	10	3,30
IS85-3060	401540100	3060	30,6	10	3,30
IS85-3550	401540700	3550	35,5	10	3,30
IS85-4100	401541200	4100	41,0	10	3,30
IS85-4580	401541300	4580	45,8	10	3,30
IS85-6000	401541300	6000	60,0	10	3,30
IS85-7000	401540800	7000	70,0	10	3,30
IS85-8000	401540900	8000	80,0	10	3,30

УСТАНОВКА ПРОФИЛЯ НАПРАВЛЯЮЩЕГО ГАРАЖНЫХ ВОРОТ



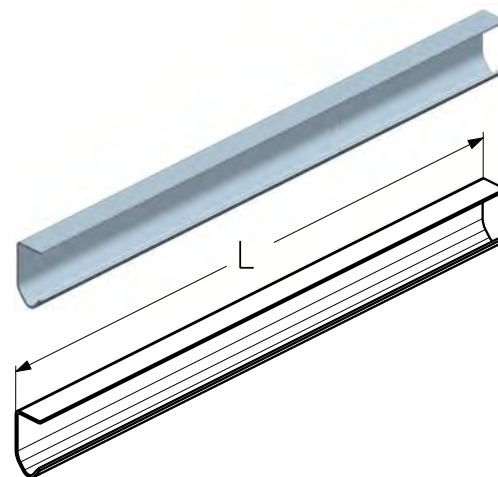
3.3

Профиль направляющий

Предназначен для создания траектории движения полотна ворот.
Устанавливается совместно с профилем угловым (PRG32).
Используется в гаражных воротах всех типов монтажа.

Толщина (S), мм..... 1,2
Материал..... оцинкованная сталь
Вес, кг/м..... 0,891
Единица измерениям

Арт.	Код	Длина, мм	Норма поставки		Розничная цена, евро с НДС
			м	шт.	
PRG04S	402130000	1795	89,75	50	5,00
		1920	96,00	50	
		2045	102,25	50	
		2170	108,50	50	
		2295	114,75	50	
		2435	121,75	50	
		2727	136,35	50	
2970	148,50	50			

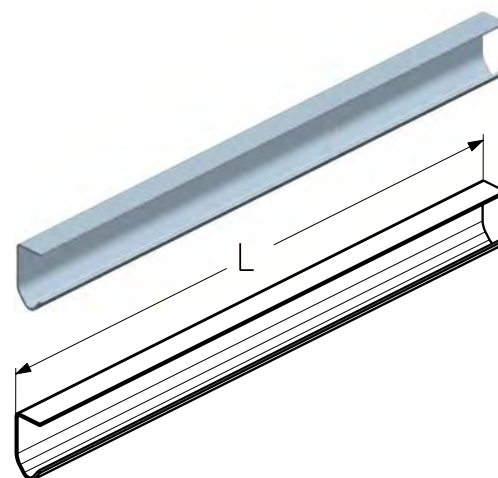


Профиль направляющий

Предназначен для создания траектории движения полотна ворот.
Устанавливается совместно с профилем угловым (PRG02).
Используется в гаражных воротах всех типов монтажа.

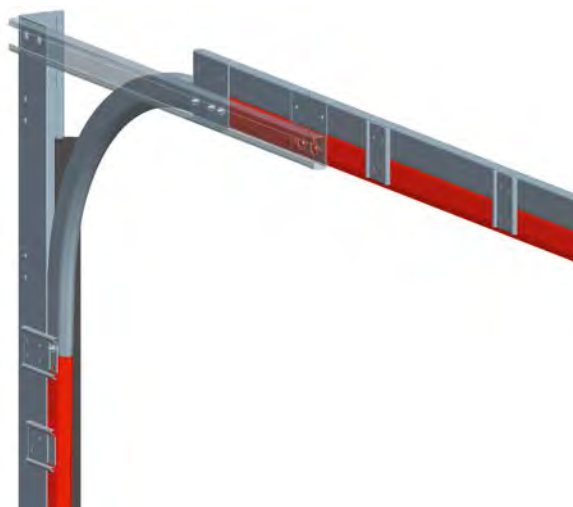
Толщина (S), мм..... 1,5
Материал..... оцинкованная сталь
Вес, кг/м..... 1,132
Единица измерениям

Арт.	Код	Длина, мм	Норма поставки		Розничная цена, евро с НДС
			м	шт.	
PRG04	402110800	1795	89,75	50	6,00
		1920	96,00	50	
		2045	102,25	50	
		2170	108,50	50	
		2295	114,75	50	
		2435	121,75	50	
		2727	136,35	50	
2970	148,50	50			



ПРОФИЛИ НАПРАВЛЯЮЩИЕ

УСТАНОВКА ПРОФИЛЯ НАПРАВЛЯЮЩЕГО ПРОМЫШЛЕННЫХ ВОРОТ

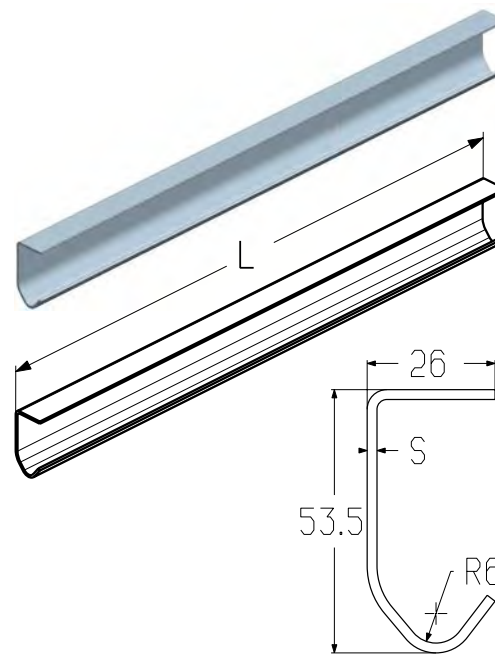


Профиль направляющий

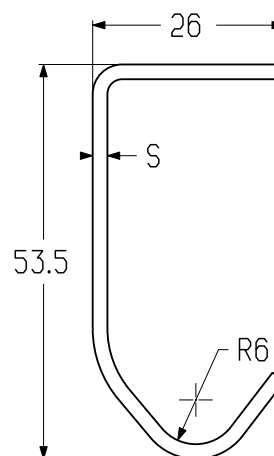
Предназначен для создания траектории движения полотна ворот.
Устанавливается совместно с профилем угловым (PRG01).
Используется в промышленных воротах всех типов монтажа.

Толщина (S), мм 2
 Материал оцинкованная сталь
 Вес, кг/м 1,439
 Единица измерения М

Арт.	Код	Длина, мм	Норма поставки		Розничная цена, евро с НДС
			м	шт.	
PRG03	402120600	2800	140,0	50	6,50
		3500	175,0	50	
		4000	200,0	50	
		4060	203,0	50	
		4350	217,5	50	
		5000	250,0	50	
		6000	300,0	50	



УСТАНОВКА ЭЛЕМЕНТА РАДИУСНОГО



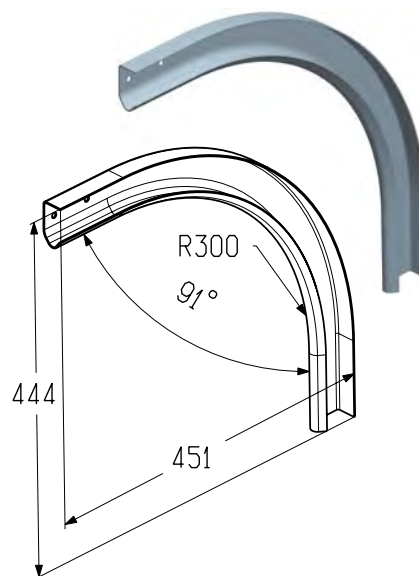
3.3

Элемент радиусный левый
Элемент радиусный правый

Предназначен для соединения вертикальной и горизонтальной направляющих. Используется в гаражных воротах стандартного и низкого типов монтажа.

Радиус, мм..... 300
Материал..... оцинкованная сталь
Единица измеренияшт.
Норма поставки, шт.60

Арт.	Код	Толщина (S), мм	Вес, кг/шт.	Применение	Розничная цена, евро с НДС
RE801SL	402210000	1,2	0,605	Левый	5,80
RE801SR	402210100	1,2	0,605	Правый	5,80
RE801L	402220000	1,5	0,745	Левый	6,80
RE801R	402220100	1,5	0,745	Правый	6,80

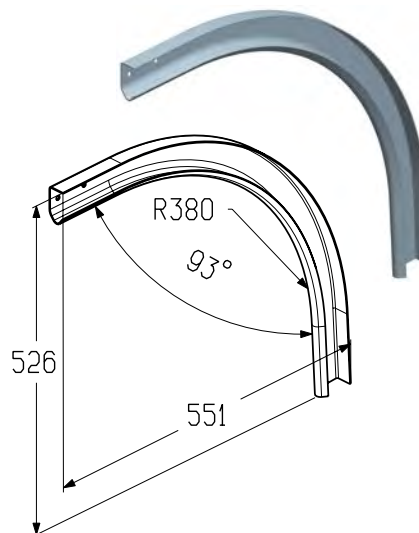


Элемент радиусный левый
Элемент радиусный правый

Предназначен для соединения вертикальной и горизонтальной направляющих. Используется в гаражных воротах высокого типа монтажа.

Радиус, мм..... 380
Материал..... оцинкованная сталь
Толщина (S), мм..... 1,5
Вес, кг/шт..... 0,86
Единица измеренияшт.
Норма поставки, шт.60

Арт.	Код	Примечание	Розничная цена, евро с НДС
RE701HL	402220200	Левый	7,70
RE701HR	402220300	Правый	7,70



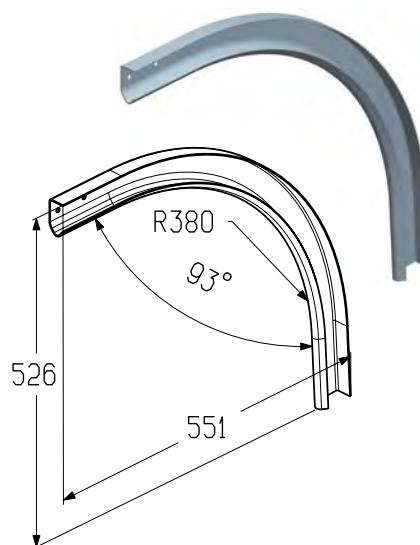
ПРОФИЛИ НАПРАВЛЯЮЩИЕ

Элемент радиусный левый
Элемент радиусный правый

Предназначен для соединения вертикальной и горизонтальной направляющих.
Используется в промышленных воротах стандартного, высокого с верхним и нижним расположением вала и низкого типов монтажа.

Радиус, мм 380
Толщина (S), мм 2
Материал оцинкованная сталь
Вес, кг/шт. 1,274
Единица измерения шт.
Норма поставки, шт. 60

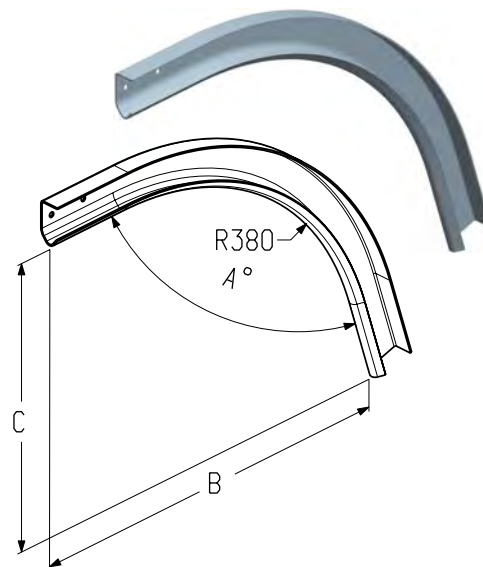
Арт.	Код	Примечание	Розничная цена, евро с НДС
RE101L	402230000	Левый	9,50
RE101R	402230100	Правый	9,50



Элемент радиусный левый
Элемент радиусный правый

Предназначен для соединения вертикальной и горизонтальной направляющих.
Используется в промышленных воротах наклонного, наклонного высокого с верхним и нижним расположением вала, наклонного низкого типов монтажа.

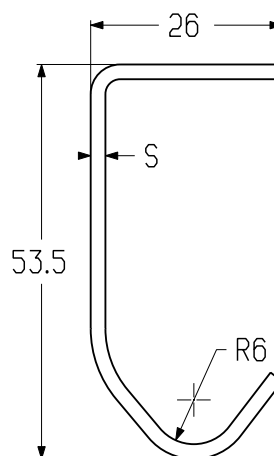
Радиус, мм 380
Толщина (S), мм 2
Материал оцинкованная сталь
Единица измерения шт.
Норма поставки, шт. 60



Арт.	Код	Основные размеры			Угол наклона,* град	Вес, кг/шт.	Примечание	Розничная цена, евро с НДС
		А, град.	В, мм	С, мм				
RE101FL-5	402230200	97	445	445	5	1,218	Левый	8,70
RE101FR-5	402230300	97	445	445	5	1,218	Правый	8,70
RE101FL-10	402230400	102	411	411	10	1,163	Левый	8,40
RE101FR-10	402230500	102	411	411	10	1,163	Правый	8,40
RE101FL-15	402230600	107	376	376	15	1,110	Левый	8,10
RE101FR-15	402230700	107	376	376	15	1,110	Правый	8,10
RE101FL-20	402230800	112	342	342	20	1,055	Левый	7,80
RE101FR-20	402230900	112	342	342	20	1,055	Правый	7,80
RE101FL-25	402231000	117	307	307	25	1,050	Левый	7,50
RE101FR-25	402231100	117	307	307	25	1,050	Правый	7,50
RE101FL-30	402231200	122	274	274	30	0,958	Левый	7,20
RE101FR-30	402231300	122	274	274	30	0,958	Правый	7,20
RE101FL-35	402231400	128	260	260	35	1,001	Левый	8,40
RE101FR-35	402231500	128	260	260	35	1,001	Правый	8,40
RE101FL-40	402231600	133	245	245	40	1,024	Левый	8,50
RE101FR-40	402231700	133	245	245	40	1,024	Правый	8,50
RE101FL-45	402231800	138	210	230	45	1,010	Левый	8,50
RE101FR-45	402231900	138	210	230	45	1,010	Правый	8,50

* Угол наклона горизонтальной направляющей.

УСТАНОВКА УЗЛА НАПРАВЛЯЮЩЕГО ПЕРЕДНЕГО



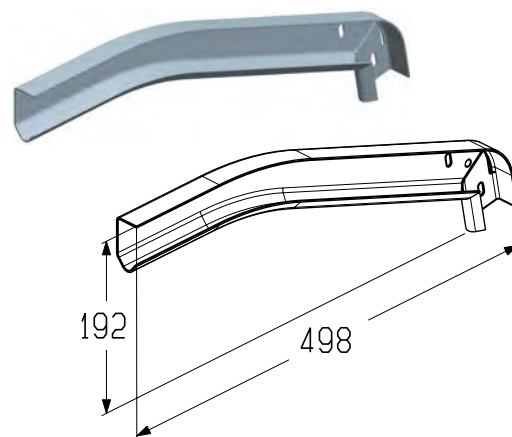
3.3

Узел направляющий передний левый
Узел направляющий передний правый

Предназначен для создания траектории движения верхней панели полотна ворот совместно с профилем направляющим (PRG04, PRG04S).
Используется в гаражных воротах стандартного типа монтажа.

Материал оцинкованная сталь
Единица измерения шт.
Норма поставки, шт.60

Арт.	Код	Толщина (S), мм	Вес, кг/шт.	Применение	Розничная цена, евро с НДС
S340NL	402310200	1,2	0,474	Левый	7,00
S340NR	402310300	1,2	0,474	Правый	7,00
S840NL	402320000	1,5	0,596	Левый	8,00
S840NR	402320100	1,5	0,596	Правый	8,00

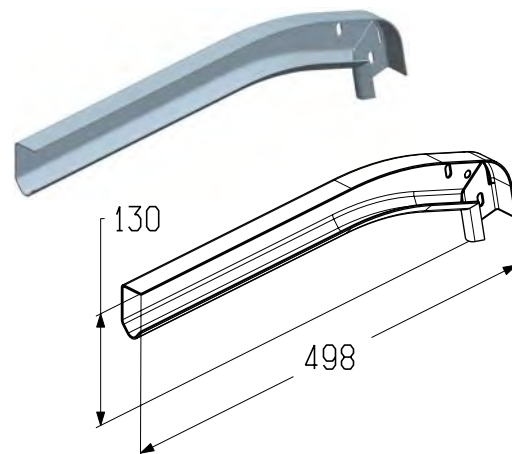


Узел направляющий передний левый
Узел направляющий передний правый

Предназначен для создания траектории движения верхней панели полотна ворот совместно с профилем направляющим (PRG04, PRG04S).
Используется в гаражных воротах низкого типа монтажа.

Материал оцинкованная сталь
Единица измерения шт.
Норма поставки, шт.60

Арт.	Код	Толщина (S), мм	Вес, кг/шт.	Применение	Розничная цена, евро с НДС
S940SL	402310000	1,2	0,470	Левый	7,00
S940SR	402310100	1,2	0,470	Правый	7,00
S940LL	402320200	1,5	0,596	Левый	8,00
S940LR	402320300	1,5	0,596	Правый	8,00



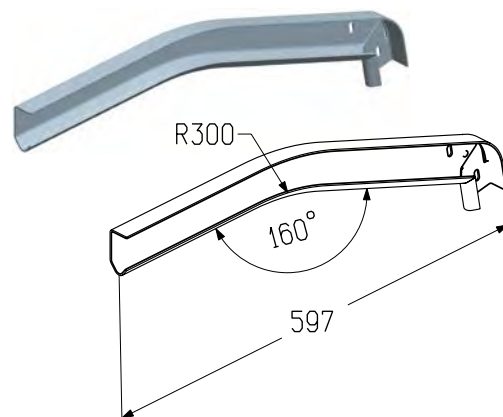
ПРОФИЛИ НАПРАВЛЯЮЩИЕ

Узел направляющий передний левый
Узел направляющий передний правый

Предназначен для создания траектории движения верхней панели полотна ворот совместно с профилем направляющим (PRG03).
Используется в промышленных воротах низкого типа монтажа.

Толщина (S), мм..... 2
Материал..... оцинкованная сталь
Вес, кг/шт..... 0,875
Единица измеренияшт.
Норма поставки, шт.....60

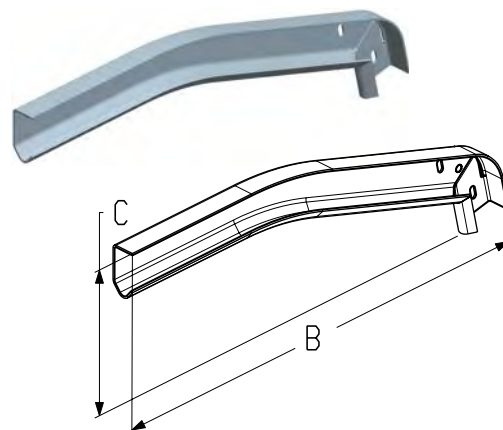
Арт.	Код	Примечание	Розничная цена, евро с НДС
S140LL	402330000	Левый	9,00
S140LR	402330100	Правый	9,00



Узел направляющий передний левый
Узел направляющий передний правый

Предназначен для создания траектории движения верхней панели полотна ворот совместно с профилем направляющим (PRG03).
Используется в промышленных воротах наклонного низкого типа монтажа.

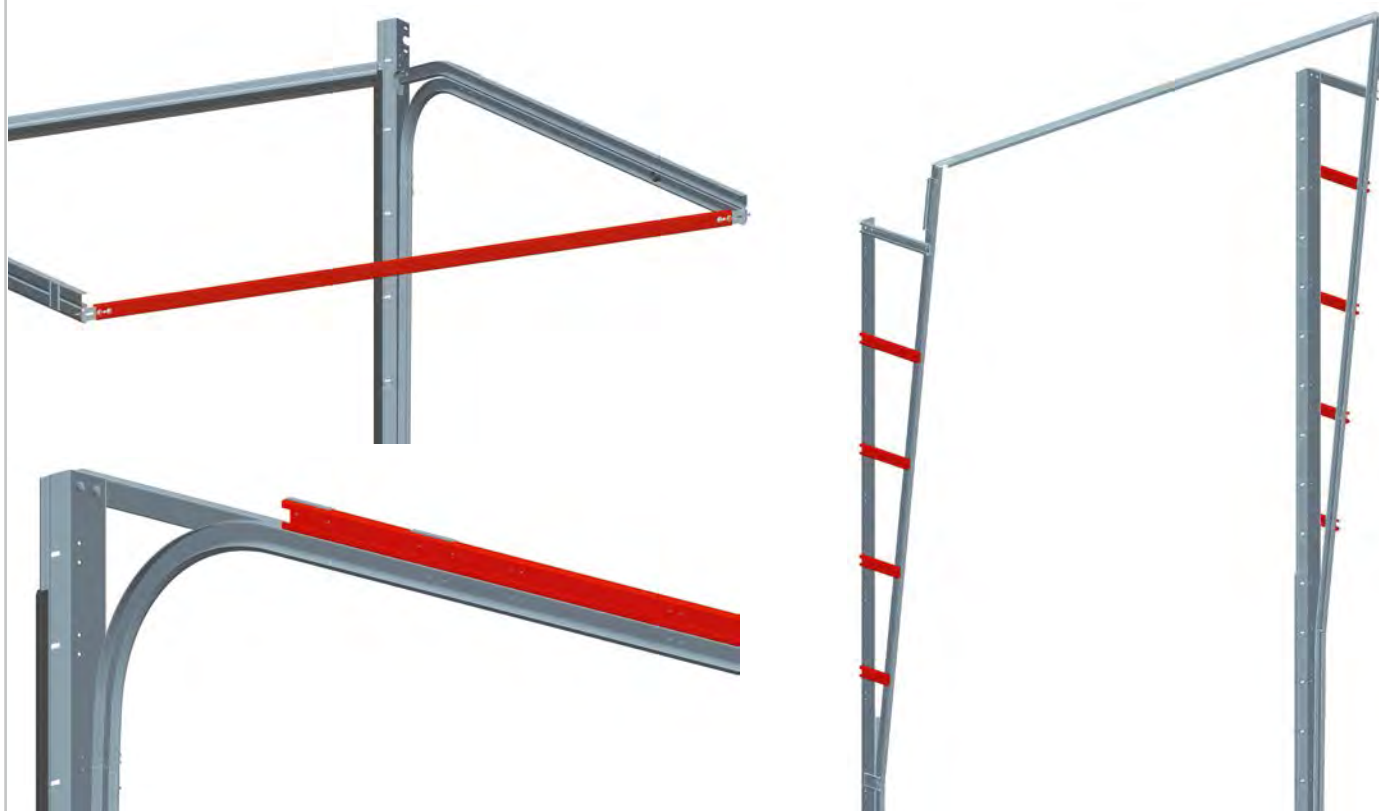
Толщина (S), мм..... 2
Материал..... оцинкованная сталь
Единица измеренияшт.
Норма поставки, шт.....60



Арт.	Код	Основные размеры		Угол наклона,* град	Вес, кг/шт.	Примечание	Розничная цена, евро с НДС
		В, мм	С, мм				
S140LFL-5	402330200	559	237	5	0,870	Левый	9,00
S140LFR-5	402330300	559	237	5	0,870	Правый	9,00
S140LFL-10	402330400	543	201	10	0,810	Левый	9,00
S140LFR-10	402330500	543	201	10	0,810	Правый	9,00
S140LFL-15	402330600	506	168	15	0,755	Левый	9,00
S140LFR-15	402330700	506	168	15	0,755	Правый	9,00
S140LFL-20	402330800	473	139	20	0,705	Левый	9,00
S140LFR-20	402330900	473	139	20	0,705	Правый	9,00
S140LFL-25	402331000	441	111	25	0,685	Левый	9,00
S140LFR-25	402331100	441	111	25	0,685	Правый	9,00
S140LFL-30	402331200	409	86	30	0,645	Левый	9,00
S140LFR-30	402331300	409	86	30	0,645	Правый	9,00
S140LFL-35	402331600	427	86	35	0,650	Левый	9,00
S140LFR-35	402331700	427	86	35	0,650	Правый	9,00
S140LFL-40	402331800	427	86	40	0,650	Левый	9,00
S140LFR-40	402331900	427	86	40	0,650	Правый	9,00
S140LFL-45	402332000	407	86	45	0,620	Левый	9,00
S140LFR-45	402332100	407	86	45	0,620	Правый	9,00

* Угол наклона горизонтальной направляющей.

УСТАНОВКА С-ПРОФИЛЯ



С-профиль

Предназначен для изготовления мерной планки:

- в гаражных воротах стандартного и высокого типов монтажа;
- в промышленных воротах всех типов монтажа, кроме низкого и наклонного низкого.

Предназначен для усиления горизонтальной направляющей:

- в гаражных воротах высокого типа монтажа;
- в промышленных воротах всех типов монтажа, кроме низкого и наклонного низкого.

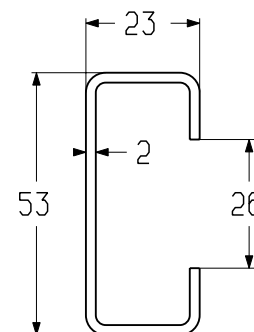
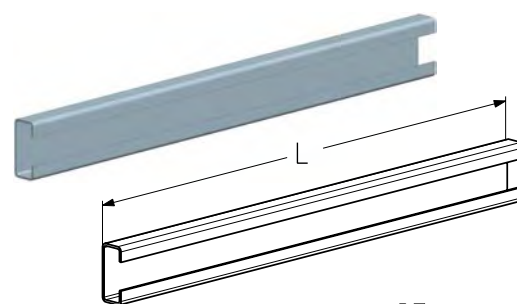
Предназначен для соединения профиля углового и профиля направляющего:

- в промышленных воротах вертикального типа монтажа с верхним расположением вала.

Материал..... оцинкованная сталь

Вес, кг/м..... 1,74

Единица измерениям



Арт.	Код	Длина (L), мм	Норма поставки		Розничная цена, евро с НДС
			м	шт.	
PRG07N	402421600	3045	152,25	50	6,60
		3245	162,65	50	
		3550	177,50	50	
		4050	202,50	50	
		4550	227,50	50	
		5106	255,30	50	
		6000	300,00	50	

УСТАНОВКА С-ПРОФИЛЯ (МЕРНОЙ ПЛАНКИ)



С-профиль

Перфорированный, предназначен для изготовления мерной планки.

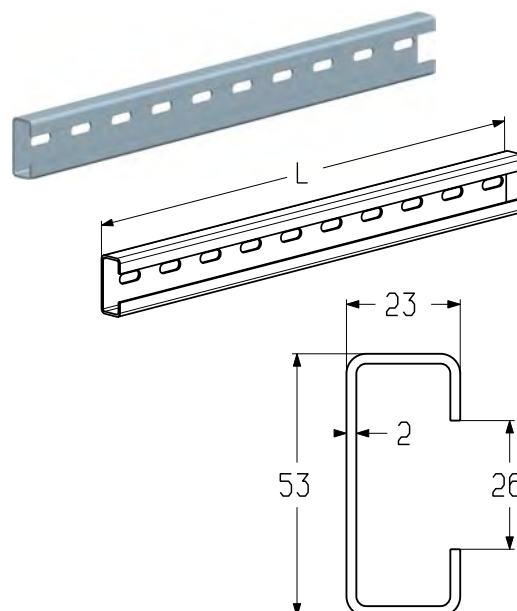
Используется:

- в гаражных воротах низкого типа монтажа;
- в промышленных воротах низкого и наклонного низкого типов монтажа.

Материал оцинкованная сталь

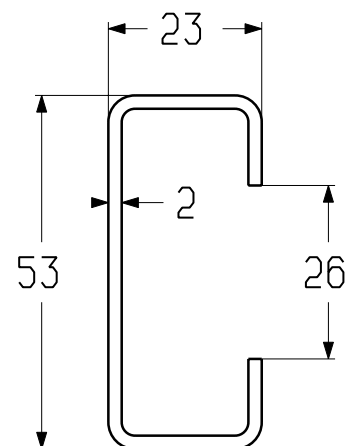
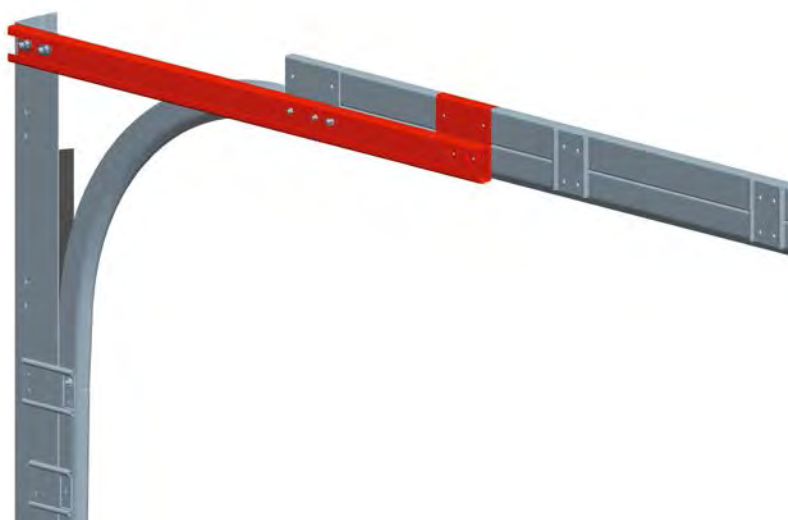
Вес, кг/м 1,67

Единица измерения м



Арт.	Код	Длина (L), мм	Норма поставки		Розничная цена, евро с НДС
			м	шт.	
PRG07	402421500	6000	300	50	6,60

УСТАНОВКА УЗЛА ПЕРЕДНЕГО



3.3

Узел передний левый
Узел передний правый

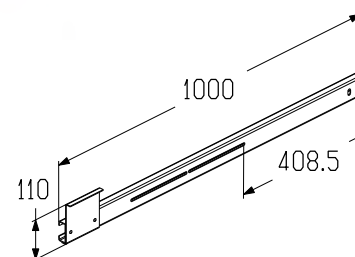
Предназначен для соединения профиля углового с горизонтальной направляющей.

Используется:

- в гаражных воротах высокого типа монтажа;
- в промышленных воротах стандартного и высокого с верхним и нижним расположением вала типов монтажа.

Длина, мм 960
 Материал оцинкованная сталь
 Вес, кг/шт. 1,768
 Единица измерения шт.
 Норма поставки, шт. 100

Арт.	Код	Примечание	Розничная цена, евро с НДС
S-171L	402500300	Левый	12,00
S-171R	402500400	Правый	12,00



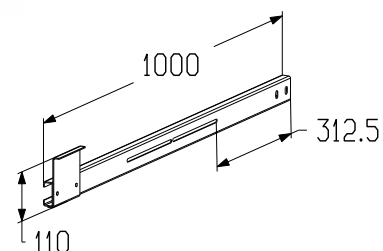
Узел передний левый
Узел передний правый

Предназначен для соединения профиля углового с горизонтальной направляющей.

Используется в промышленных воротах наклонного, наклонного высокого с верхним и нижним расположением вала.

Длина, мм 760
 Материал оцинкованная сталь
 Вес, кг/шт. 1,486
 Единица измерения шт.
 Норма поставки, шт. 100

Арт.	Код	Примечание	Розничная цена, евро с НДС
S-172L	402500500	Левый	12,00
S-172R	402500600	Правый	12,00



УСТАНОВКА КРОНШТЕЙНА СОЕДИНИТЕЛЬНОГО

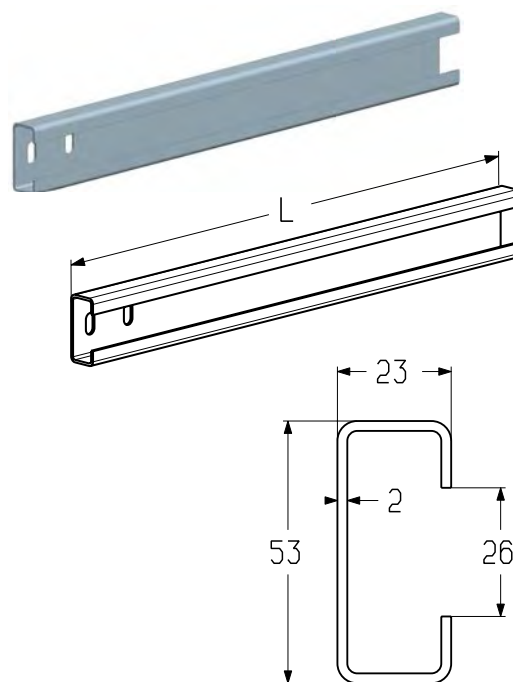


Кронштейн соединительный

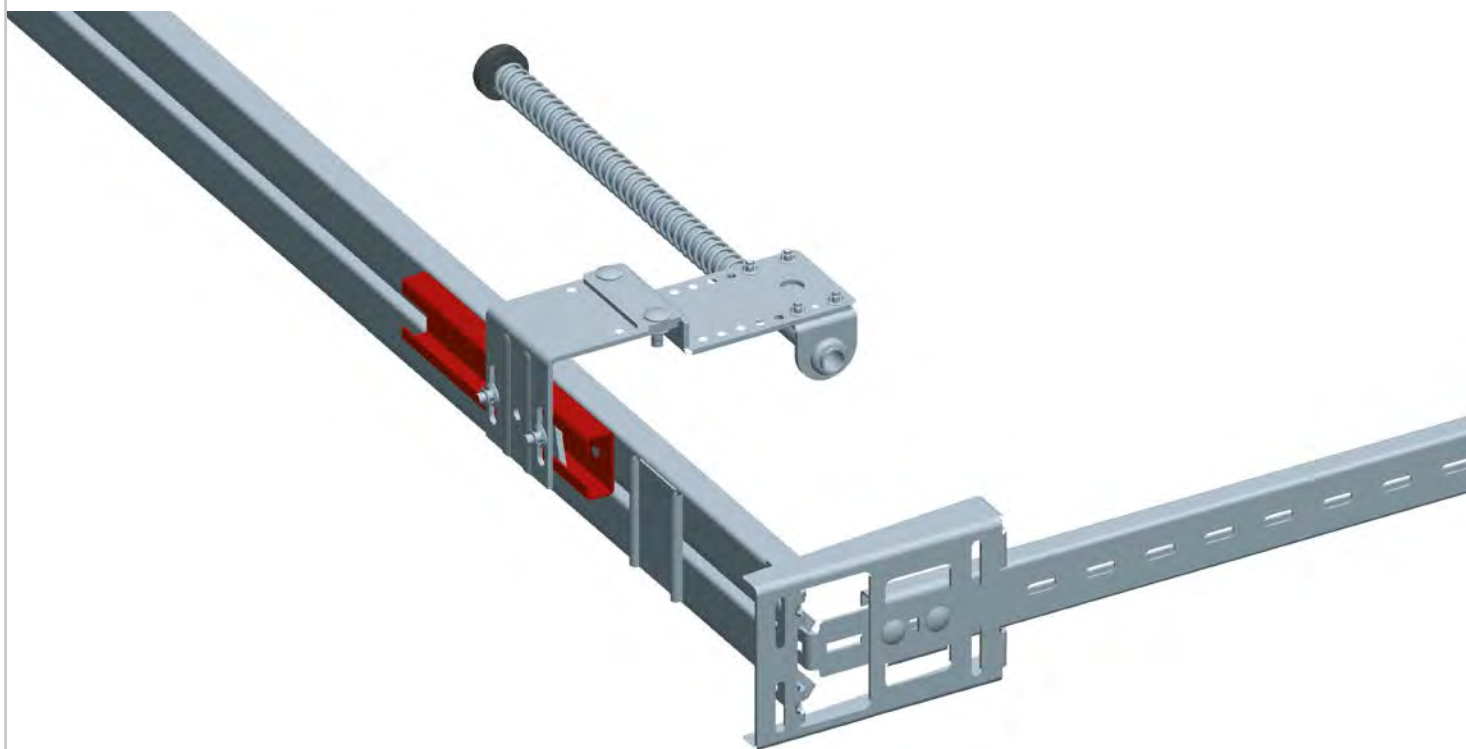
Предназначен для соединения профиля углового и профиля направляющего.
Используется в промышленных воротах вертикального типа монтажа с верхним расположением вала.

Материал Оцинкованная сталь
Единица измерения шт.
Норма поставки, шт. 100

Арт.	Код	Длина (L), мм	Вес, кг/шт.	Розничная цена, евро с НДС
СВ132-450	402600000	450	0,75	4,50
СВ132-500	402600100	500	0,83	4,50



УСТАНОВКА КРОНШТЕЙНА

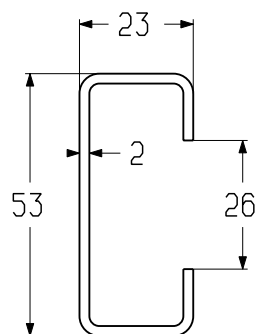
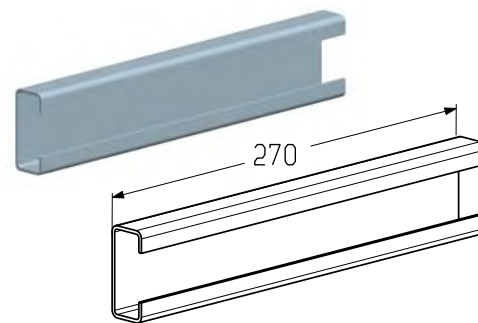


Кронштейн

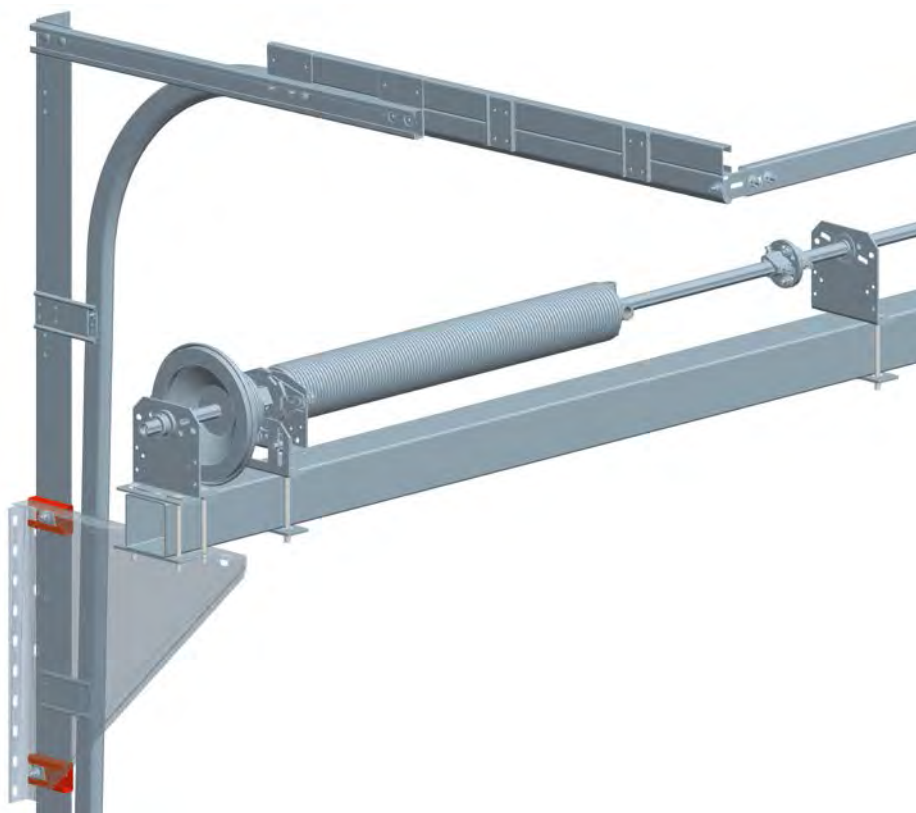
Предназначен для установки демпферов.
Используется в промышленных воротах вертикального типа монтажа с верхним и нижним расположением вала, низкого и наклонного низкого типов монтажа.

Длина, мм 270
 Материал оцинкованная сталь
 Вес, кг/шт. 0,29
 Единица измерения шт.
 Норма поставки, шт. 50

Арт.	Код	Розничная цена, евро с НДС
V134	402600200	3,25



УСТАНОВКА КРОНШТЕЙНА

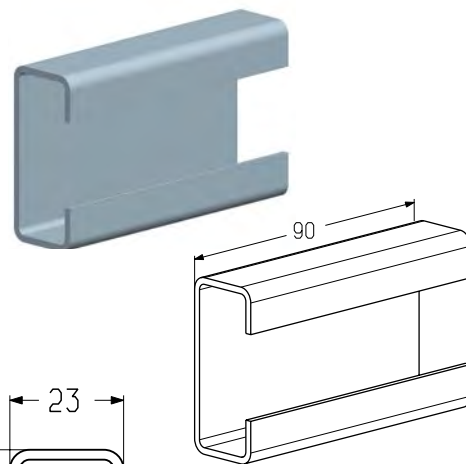


Кронштейн

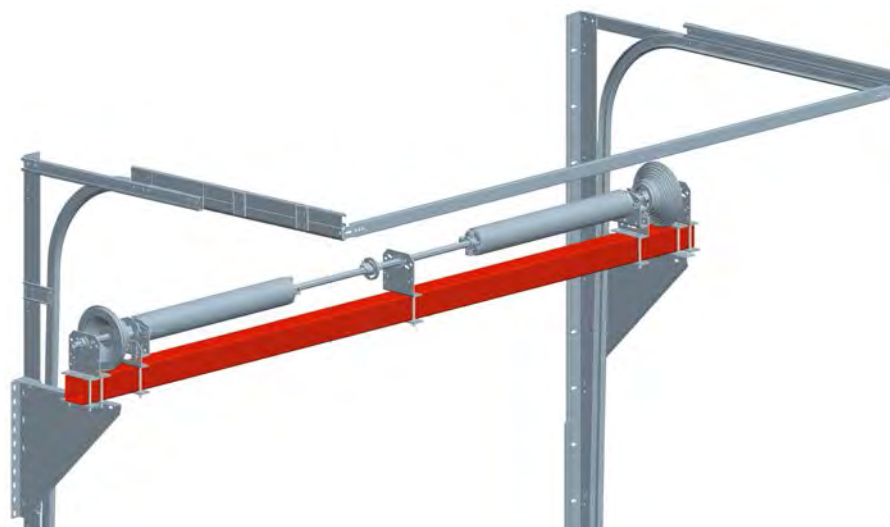
Предназначен для установки кронштейна (ТР-550).
Используется в промышленных воротах высокого, вертикального, наклонного типов монтажа с нижним расположением вала.

Материал Оцинкованная сталь
Вес, кг/шт. 0,15
Единица измерения шт.
Норма поставки, шт. 150

Арт.	Код	Розничная цена, евро с НДС
V133	402600300	1,35



УСТАНОВКА ПРОФИЛЯ НЕСУЩЕГО

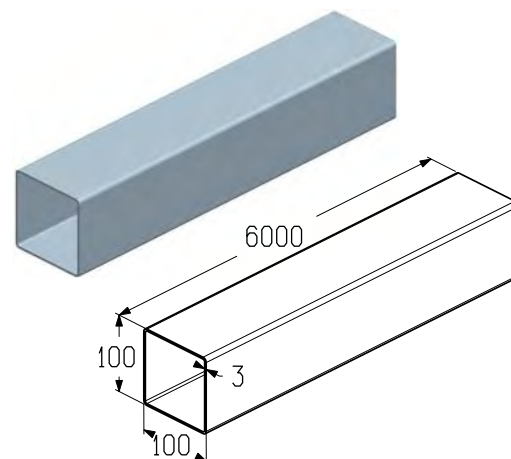


3.3

Профиль несущий

Предназначен для установки торсионного вала.
Используется в промышленных воротах высокого, вертикального, наклонного типов монтажа с нижним расположением вала.

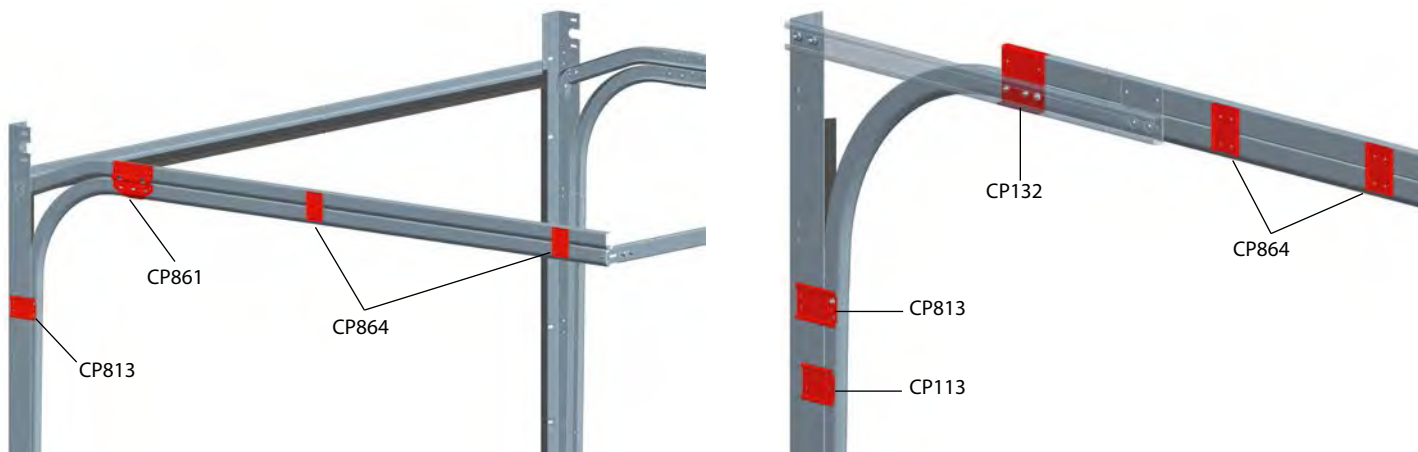
Длина, мм6000
 Материал оцинкованная сталь
 Вес, кг/м 9
 Единица измерения м
 Норма поставки, м 54



Арт.	Код	Розничная цена, евро с НДС
T-100-6000	402440000	53,00

КРОНШТЕЙНЫ И ПЛАСТИНЫ СОЕДИНИТЕЛЬНЫЕ

УСТАНОВКА ПЛАСТИН СОЕДИНИТЕЛЬНЫХ



Пластина соединительная

Предназначена для соединения профиля углового с профилем направляющим (вертикальным).

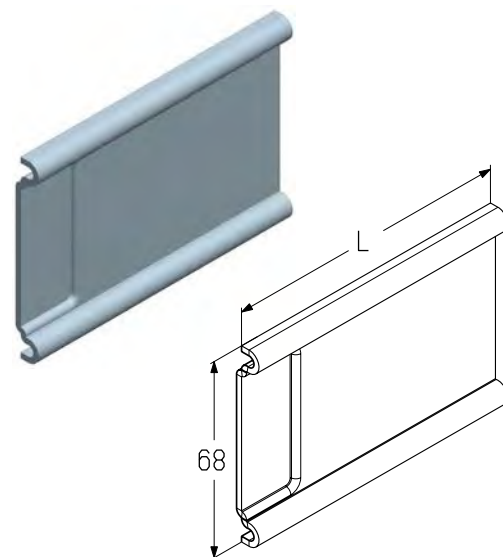
Используется:

- в гаражных воротах высокого типа монтажа;
- в промышленных воротах всех типов монтажа.

Материал оцинкованная сталь

Единица измерения шт.

Арт.	Код	Длина (L), мм	Вес, кг/шт.	Норма поставки, шт.	Розничная цена, евро с НДС
CP113-80	402810100	80	0,096	200	0,90
CP113-100	402810200	100	0,120	200	1,05
CP113-120	402810300	120	0,144	170	1,20
CP113-130	402810400	130	0,156	120	1,30
CP113-150	402810500	150	0,180	120	1,45
CP113-180	402810600	180	0,216	110	1,65



Пластина соединительная

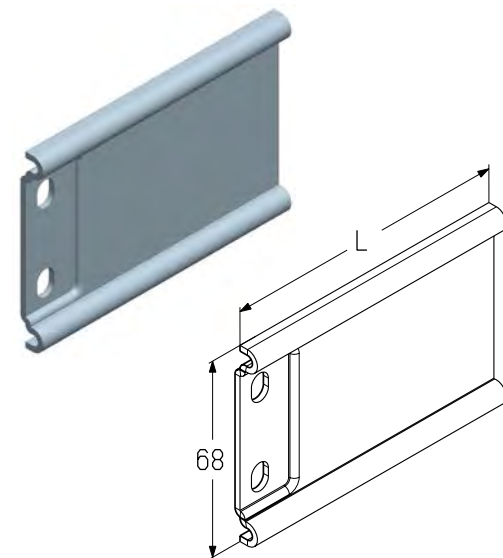
Предназначена для соединения профиля углового с профилем направляющим (вертикальным).

Используется в гаражных и промышленных воротах всех типов монтажа.

Материал оцинкованная сталь

Единица измерения шт.

Арт.	Код	Длина (L), мм	Вес, кг/шт.	Норма поставки, шт.	Розничная цена, евро с НДС
CP813-100	402810700	100	0,119	220	1,15
CP813-120	402810800	120	0,142	170	1,30
CP813-150	402810900	150	0,176	120	1,55
CP813-180	402811000	180	0,214	110	1,85

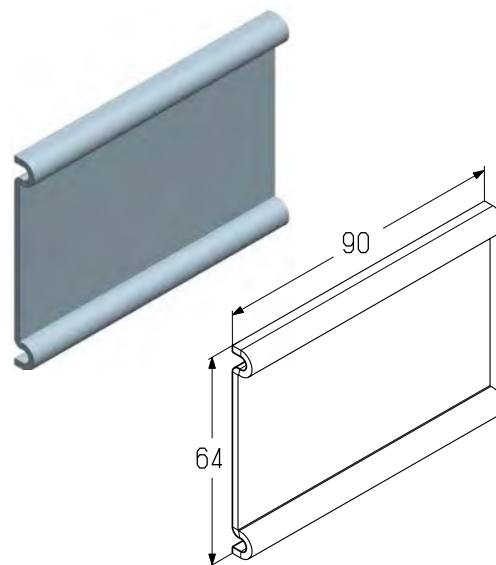


КРОНШТЕЙНЫ И ПЛАСТИНЫ СОЕДИНИТЕЛЬНЫЕ
Пластина соединительная

Предназначена для соединения горизонтальных направляющих.
Используется в гаражных и промышленных воротах всех типов монтажа.

Материал оцинкованная сталь
 Вес, кг/шт. 0,112
 Единица измерения шт.
 Норма поставки, шт. 170

Арт.	Код	Розничная цена, евро с НДС
CP864	402811200	1,10


Пластина соединительная передняя

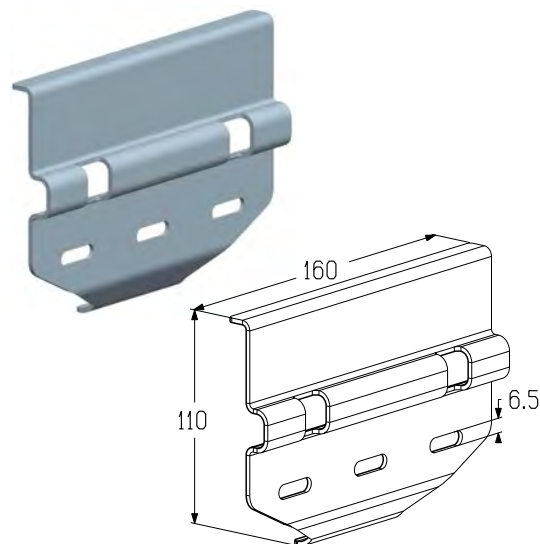
Предназначена для соединения горизонтальной направляющей с элементом радиусным и узлом направляющим передним.

Используется:

- в гаражных воротах стандартного и низкого типов монтажа;
- в промышленных воротах низкого и наклонного низкого типов монтажа.

Толщина, мм 2
 Материал оцинкованная сталь
 Вес, кг/шт. 0,294
 Единица измерения шт.
 Норма поставки, шт. 80

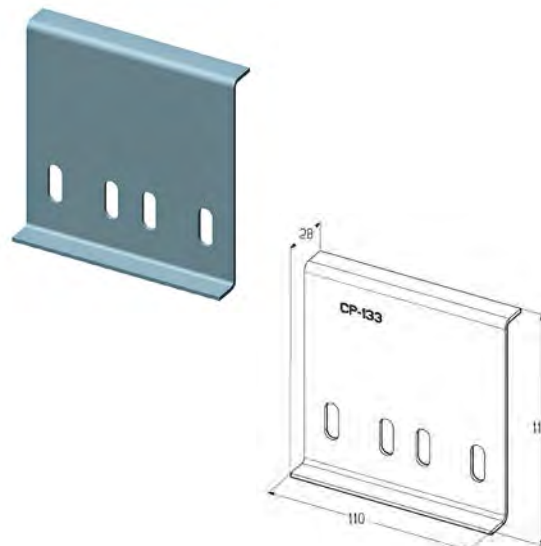
Арт.	Код	Розничная цена, евро с НДС
CP861	402811100	4,45


Пластина соединительная передняя

Предназначена для соединения горизонтальной направляющей с элементом радиусным и узлом направляющим передним.
Используется в промышленных воротах всех типов монтажа (кроме низких).

Материал оцинкованная сталь
 Вес, кг/шт. 0,215
 Единица измерения шт.
 Норма поставки, шт. 100

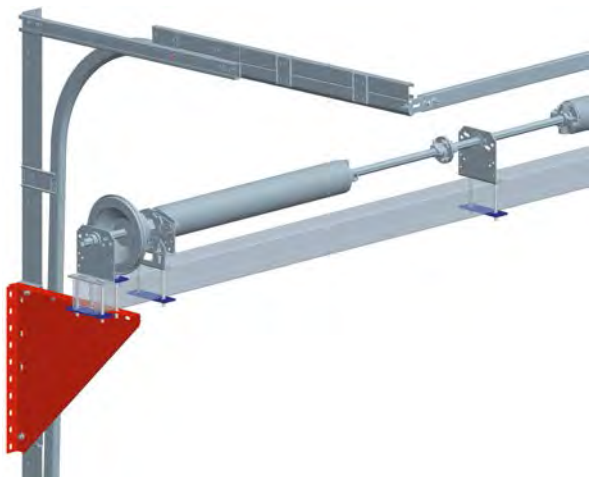
Арт.	Код	Розничная цена, евро с НДС
CP-133	402811900	4,45



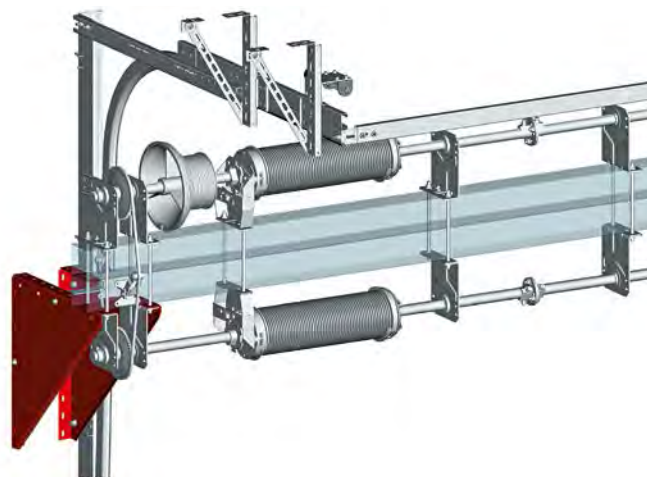
КРОНШТЕЙНЫ И ПЛАСТИНЫ СОЕДИНИТЕЛЬНЫЕ

УСТАНОВКА КРОНШТЕЙНА И ПЛАСТИНЫ

Одновальная система балансировки



Двухвальная система балансировки

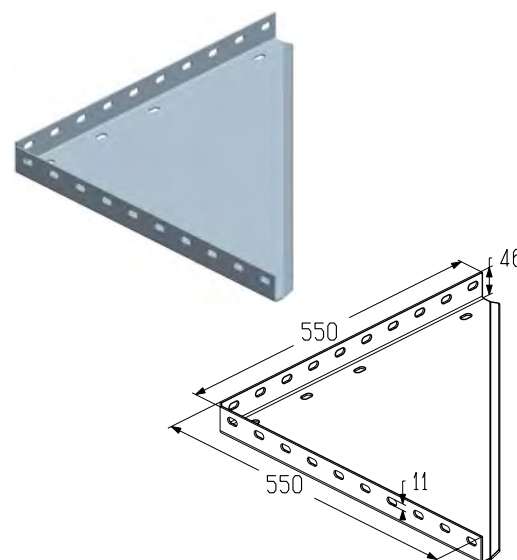


Кронштейн

Предназначен для установки профиля несущего. Используется в промышленных воротах высокого, вертикального, наклонного типов монтажа с нижним расположением вала с одновальной и двухвальной системами балансировки.

Материал оцинкованная сталь
 Вес, кг/шт. 4,818
 Единица измерения шт.
 Норма поставки, шт. 4

Арт.	Код	Розничная цена, евро с НДС
TP-550	402620000	63,70

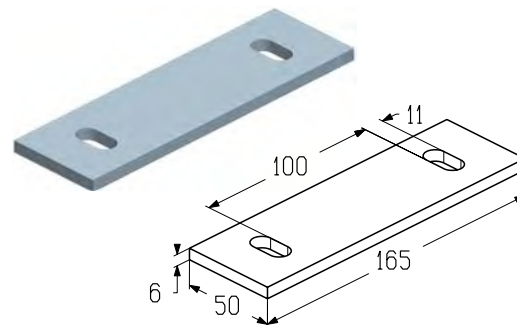


Пластина

Предназначена для фиксации элементов торсионного вала. Используется в промышленных воротах высокого, вертикального, наклонного типов монтажа с нижним расположением вала с одновальной системой балансировки.

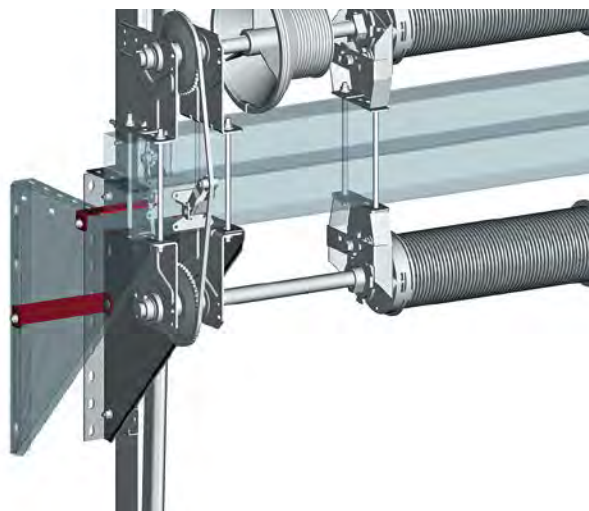
Материал оцинкованная сталь
 Вес, кг/шт. 0,355
 Единица измерения шт.
 Норма поставки, шт. 50

Арт.	Код	Розничная цена, евро с НДС
MS-550	402811300	5,00



3.3

УСТАНОВКА КРОНШТЕЙНА

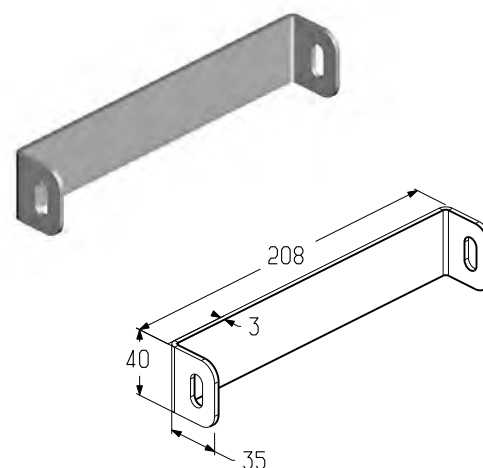


Кронштейн

Предназначена для крепления кронштейнов (TP-550) между собой.
Используется в промышленных воротах высокого, вертикального, наклонного типов монтажа с нижним расположением вала с двухвальной системой балансировки.

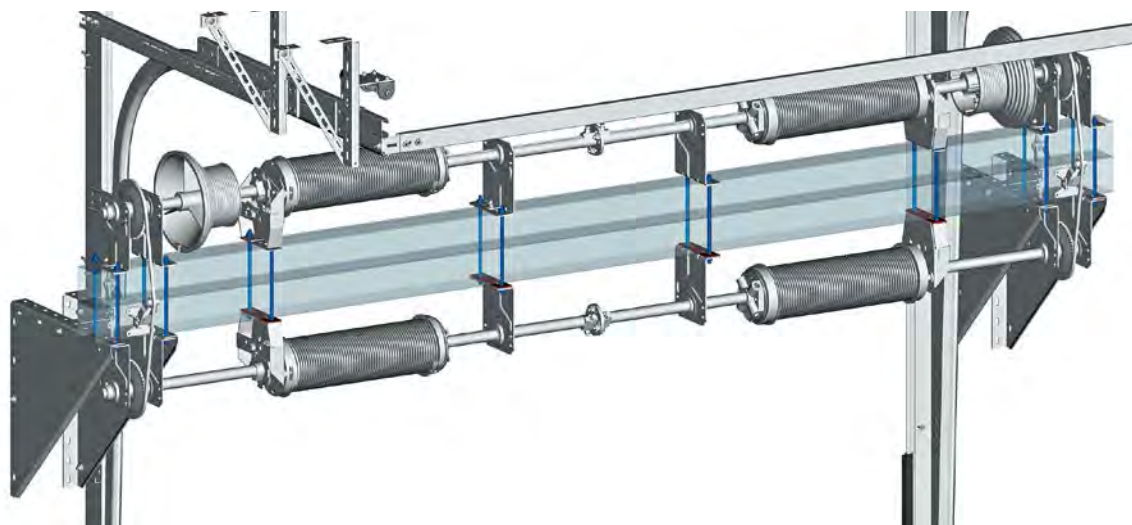
Материал оцинкованная сталь
Вес, кг/шт. 0,28
Единица измерения шт.
Норма поставки, шт. 72

Арт.	Код	Розничная цена, евро с НДС
TSS4012	403901900	4,00



КРОНШТЕЙНЫ И ПЛАСТИНЫ СОЕДИНИТЕЛЬНЫЕ

УСТАНОВКА ПЛАСТИНЫ И КОМПЛЕКТА КРЕПЕЖНОГО

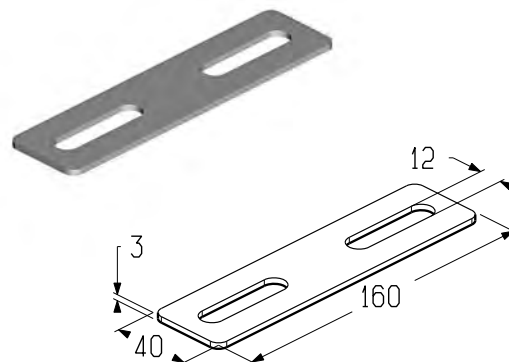


Пластина

Предназначена для фиксации элементов торсионного вала.
Используется в промышленных воротах высокого, вертикального, наклонного типов монтажа с нижним расположением вала с двухвальной системой балансировки.

Материал оцинкованная сталь
Вес, кг/шт. 0,125
Единица измерения шт.
Норма поставки, шт. 150

Арт.	Код	Розничная цена, евро с НДС
TSS4014	403902200	2,10

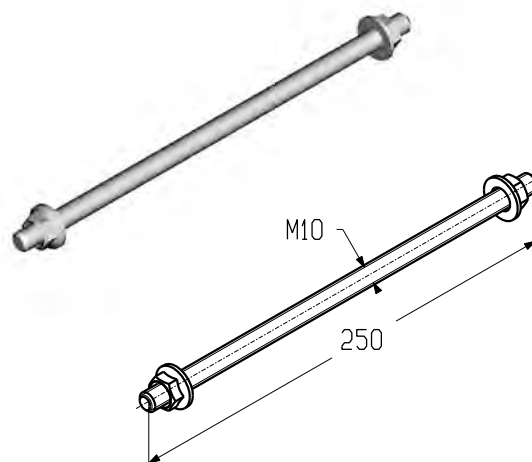


Комплект крепежный

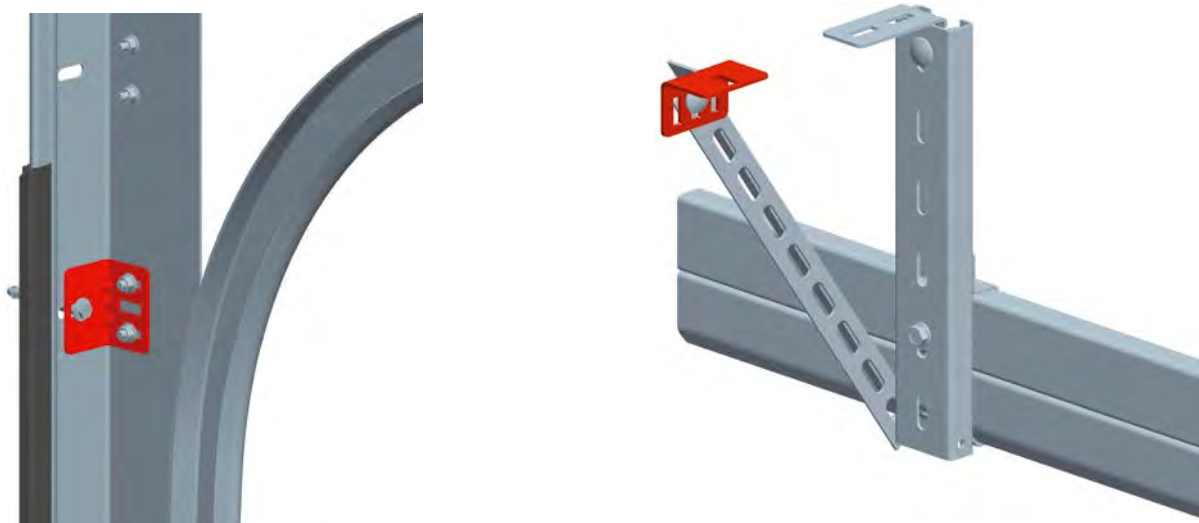
Предназначена для фиксации элементов торсионного вала.
Используется в промышленных воротах высокого, вертикального, наклонного типов монтажа с нижним расположением вала с двухвальной системой балансировки.

Материал оцинкованная сталь
Вес, кг/шт. 0,14
Единица измерения шт.
Норма поставки, шт. 150

Арт.	Код	Розничная цена, евро с НДС
TSS4013	403902100	4,00



УСТАНОВКА КРОНШТЕЙНА



Кронштейн

Предназначен:

- для крепления профиля углового к стене;
- для крепления профиля монтажного (PRG09) и С-профиля (PRG06) к потолку.

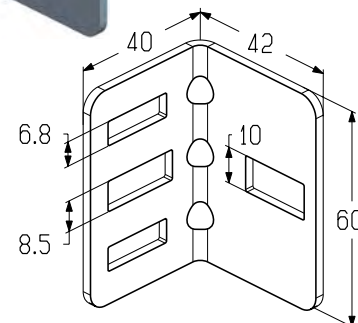
Используется в гаражных и промышленных воротах всех типов монтажа.

Материал оцинкованная сталь

Вес, кг/шт 0,076

Единица измерения шт.

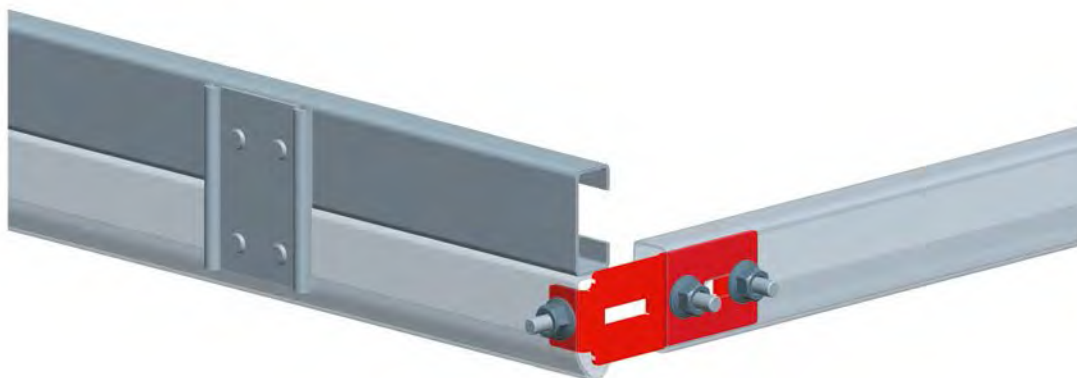
Норма поставки, шт. 280



Арт.	Код	Розничная цена, евро с НДС
В0300	402600400	1,30

КРОНШТЕЙНЫ И ПЛАСТИНЫ СОЕДИНИТЕЛЬНЫЕ

УСТАНОВКА КРОНШТЕЙНА МЕРНОЙ ПЛАНКИ

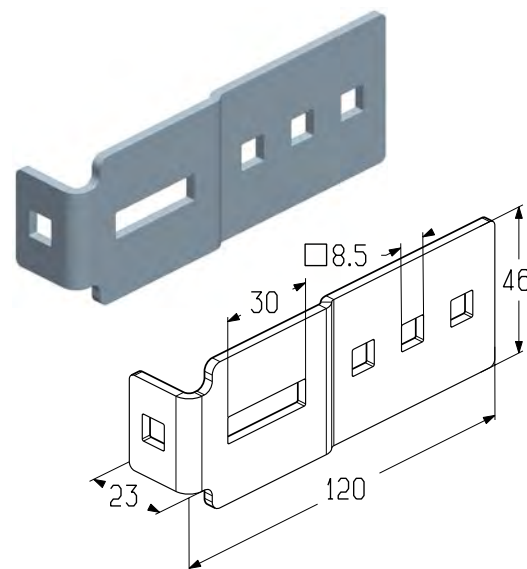


Кронштейн мерной планки

Предназначен для соединения профиля направляющего (горизонтального) с С-профилем (PRG07, PRG07N).
Используется в гаражных и промышленных воротах всех типов монтажа.

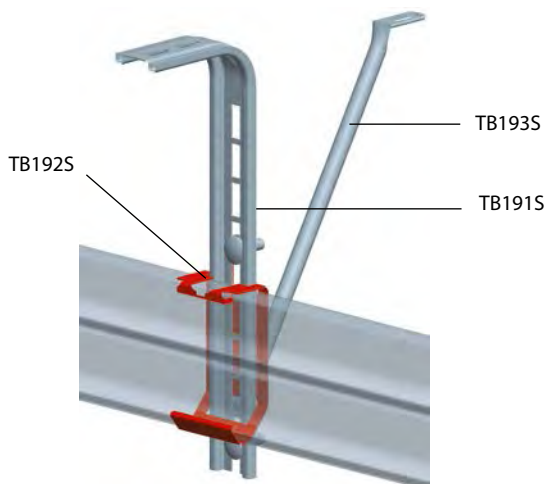
Материал.....оцинкованная сталь
Вес, кг/шт.....0,102
Единица измеренияшт.
Норма поставки, шт..... 220

Арт.	Код	Розничная цена, евро с НДС
B802	402620100	2,10

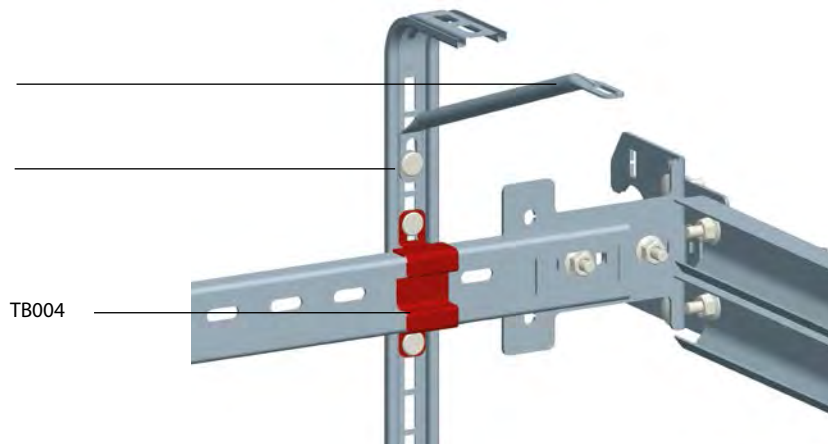


УСТАНОВКА ТЕЛЕСКОПИЧЕСКОГО ПОДВЕСА ДЛЯ ГАРАЖНЫХ ВОРОТ

Гаражные ворота стандартного типа монтажа



Гаражные ворота низкого типа монтажа



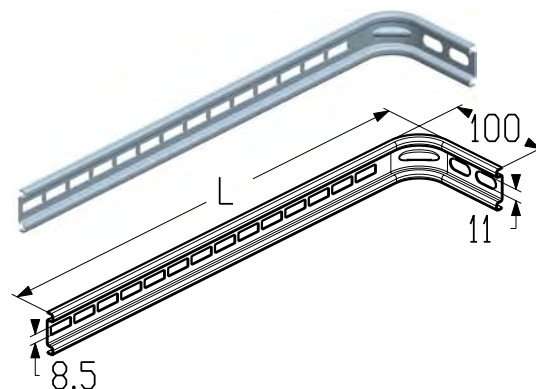
3.3

Подвес

Предназначен для изготовления системы телескопического подвеса. Используется в гаражных воротах стандартного и низкого типа монтажа.

Материал.....оцинкованная сталь
Единица измеренияшт.

Арт.	Код	Длина, мм	Вес, кг/шт.	Норма поставки, шт.	Розничная цена, евро с НДС
ТВ191S-300	402811500	300	0,192	300	4,00
ТВ191S-500	402811600	500	0,282	200	6,00
ТВ191S-800	402811700	800	0,413	120	8,00
ТВ191S-1000	402811800	1000	0,514	100	9,00

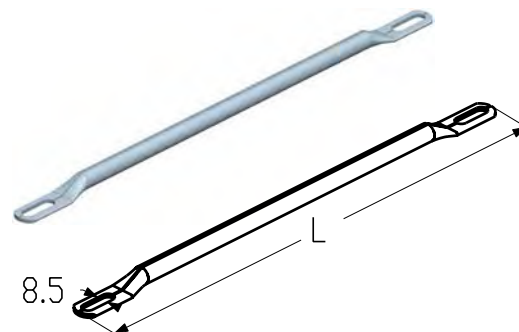


Раскос

Предназначен для изготовления системы телескопического подвеса. Используется в гаражных воротах стандартного и низкого типа монтажа.

Материал.....оцинкованная сталь
Единица измеренияшт.
Норма поставки, шт.400

Арт.	Код	Длина, мм	Вес, кг/шт.	Розничная цена, евро с НДС
ТВ193S-330	402910600	330	0,082	2,00
ТВ193S-680	402910700	680	0,190	4,50
ТВ193S-910	402910800	910	0,261	5,50



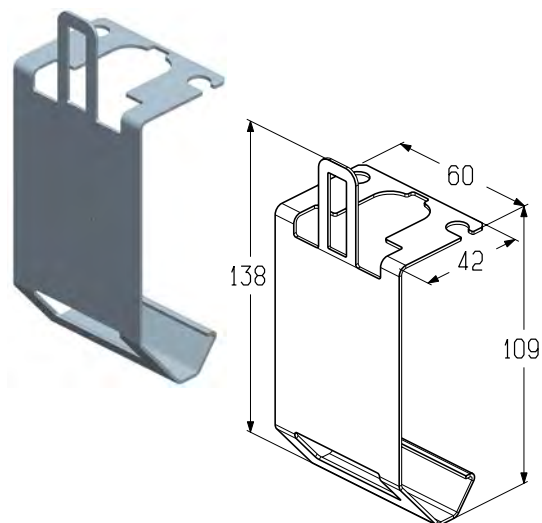
СИСТЕМА ТЕЛЕСКОПИЧЕСКОГО ПОДВЕСА

Кронштейн

Предназначен для изготовления системы телескопического подвеса.
Используется в гаражных воротах стандартного типа монтажа.

Материал оцинкованная сталь
Вес, кг/шт. 0,082
Единица измерения шт.
Норма поставки, шт. 400

Арт.	Код	Розничная цена, евро с НДС
ТВ192S	402610700	2,50

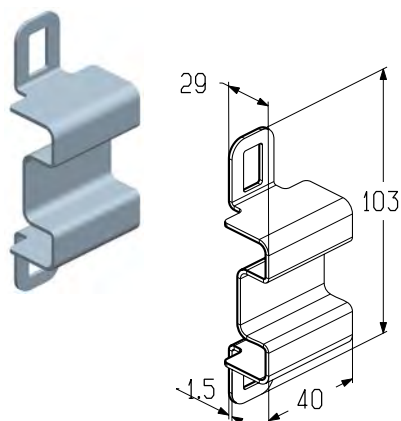


Кронштейн

Предназначен для изготовления системы телескопического подвеса.
Используется в гаражных воротах низкого типа монтажа.

Материал оцинкованная сталь
Вес, кг/шт. 0,065
Единица измерения шт.
Норма поставки, шт. 210

Арт.	Код	Розничная цена, евро с НДС
ТВ004	402610800	2,40



УСТАНОВКА ТЕЛЕСКОПИЧЕСКОГО ПОДВЕСА



Кронштейн подвеса

Предназначен для изготовления системы телескопического подвеса.

Используется:

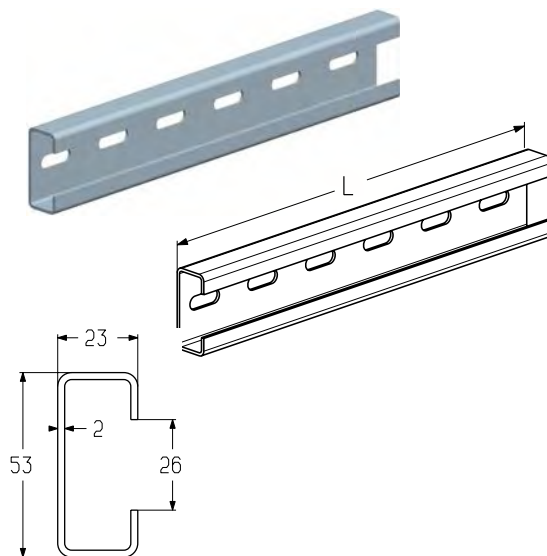
- в гаражных воротах высокого типа монтажа;
- промышленных воротах всех типов монтажа.

Материал оцинкованная сталь

Единица измерения шт.

Норма поставки, шт. 100

Арт.	Код	Длина (L), мм	Вес, кг/шт.	Розничная цена, евро с НДС
ТВ607-300	402610000	300	0,48	2,50
ТВ607-500	402610100	500	0,80	4,00
ТВ607-800	402610200	800	1,28	6,50
ТВ607-1000	402610300	1000	1,60	8,00
ТВ607-1500	402610400	1500	2,40	12,00



Кронштейн монтажный

Предназначен для подвеса горизонтальных направляющих.

Устанавливается совместно с кронштейном (ТВ006).

Используется в промышленных воротах низкого и наклонного низкого типов монтажа.

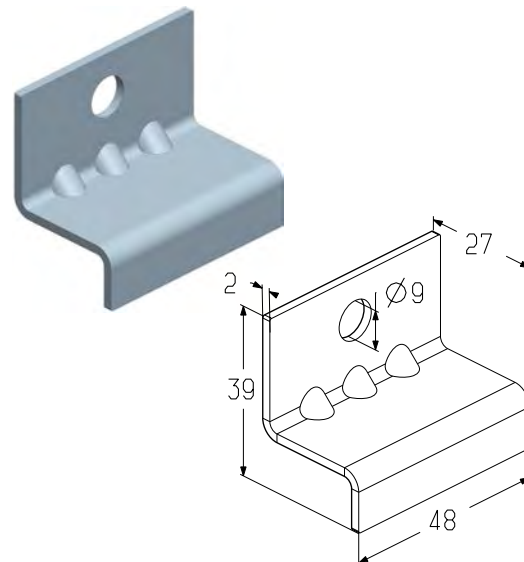
Материал оцинкованная сталь

Вес, кг/шт. 0,038

Единица измерения шт.

Норма поставки, шт. 500

Арт.	Код	Розничная цена, евро с НДС
ТВ603	402620200	0,80



СИСТЕМА ТЕЛЕСКОПИЧЕСКОГО ПОДВЕСА

Кронштейн монтажный

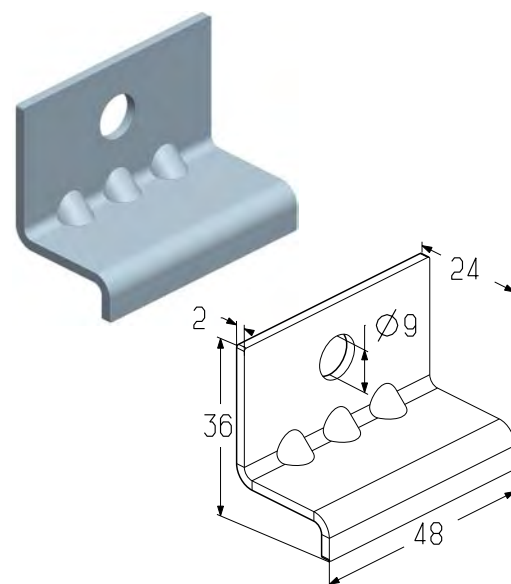
Предназначен для подвеса горизонтальных направляющих.

Устанавливается совместно с кронштейном (ТВ006):

- в гаражных воротах высокого типа монтажа;
- в промышленных воротах всех типов монтажа, кроме низкого и наклонного низкого.

Материал оцинкованная сталь
 Вес, кг/шт. 0,038
 Единица измерения шт.
 Норма поставки, шт. 500

Арт.	Код	Розничная цена, евро с НДС
ТВ604	402620300	0,80



Пластина

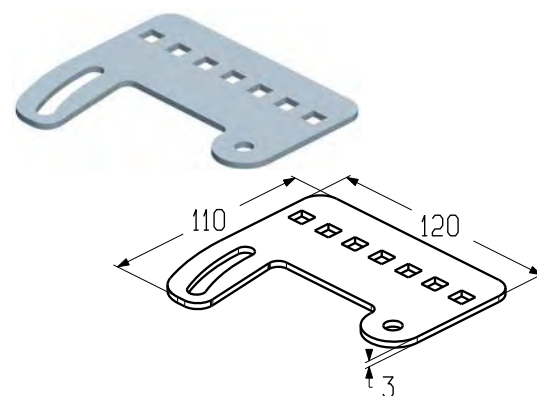
Предназначена для подвеса мерной планки.

Устанавливается совместно с кронштейном (ТВ607).

Используется в промышленных воротах низкого монтажа и наклонного низкого типа монтажа с наклоном горизонтальных направляющих до 20°.

Материал оцинкованная сталь
 Вес, кг/шт. 0,18
 Единица измерения шт.
 Норма поставки, шт. 140

Арт.	Код	Розничная цена, евро с НДС
ТВ1922	403490300	4,00



Пластина

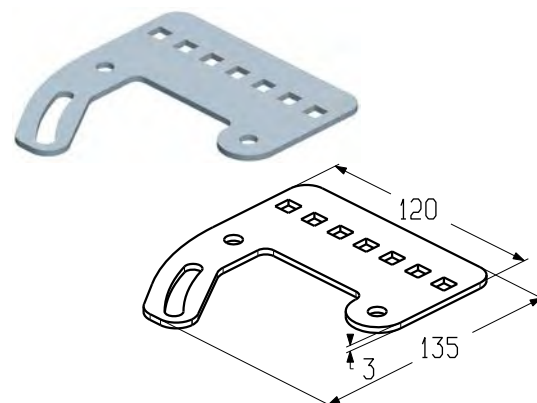
Предназначена для подвеса мерной планки.

Устанавливается совместно с кронштейном (ТВ607).

Используется в промышленных воротах наклонного низкого типа монтажа с наклоном горизонтальных направляющих 25-30°.

Материал оцинкованная сталь
 Вес, кг/шт. 0,20
 Единица измерения шт.
 Норма поставки, шт. 45

Арт.	Код	Розничная цена, евро с НДС
ТВ1923	403490400	4,00



СИСТЕМА ТЕЛЕСКОПИЧЕСКОГО ПОДВЕСА
Кронштейн

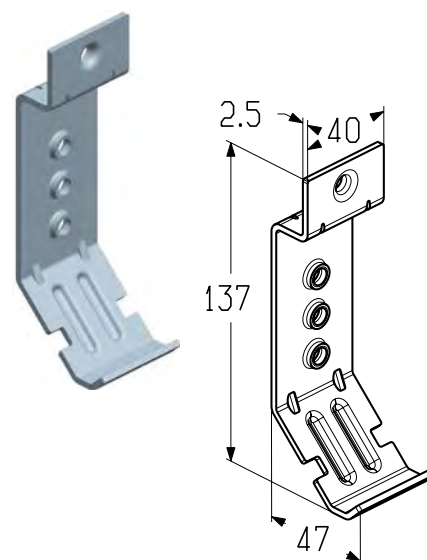
Предназначен для подвеса горизонтальных направляющих.
 Устанавливается совместно с кронштейном монтажным (ТВ603)
 в промышленных воротах низкого и наклонного низкого типов монтажа.
 Используется для подвеса мерной планки промышленных ворот низкого типа монтажа.

Устанавливается совместно с кронштейном монтажным (ТВ604):

- в гаражных воротах высокого типа монтажа;
- в промышленных воротах всех типов монтажа кроме низкого и наклонного низкого.

Материал оцинкованная сталь
 Вес, кг/шт. 0,112
 Единица измерения шт.
 Норма поставки, шт. 300

Арт.	Код	Розничная цена, евро с НДС
ТВ006	402610500	2,40

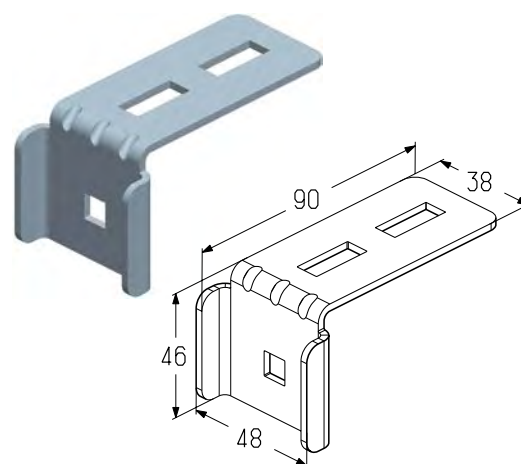

Кронштейн угловой

Предназначен для крепления кронштейна подвеса (ТВ607) к потолку.
 Используется для подвеса горизонтальных направляющих:

- в гаражных воротах высокого типа монтажа;
- промышленных воротах всех типов монтажа.

Материал оцинкованная сталь
 Вес, кг/шт. 0,115
 Единица измерения шт.
 Норма поставки, шт. 200

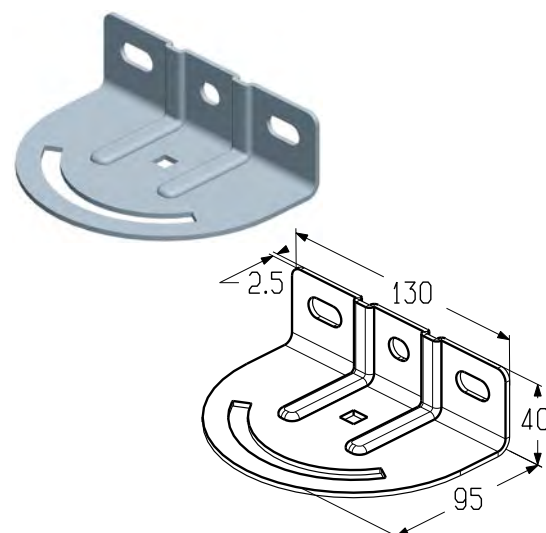
Арт.	Код	Розничная цена, евро с НДС
ТВ007	402630000	2,30


Кронштейн

Предназначен для крепления кронштейна подвеса (ТВ607) к потолку.
 Используется для подвеса мерной планки промышленных ворот наклонного низкого типов монтажа.

Материал оцинкованная сталь
 Вес, кг/шт. 0,28
 Единица измерения шт.
 Норма поставки, шт. 45

Арт.	Код	Розничная цена, евро с НДС
ТВ1924	403490500	4,20



СИСТЕМА ТЕЛЕСКОПИЧЕСКОГО ПОДВЕСА

Профиль монтажный

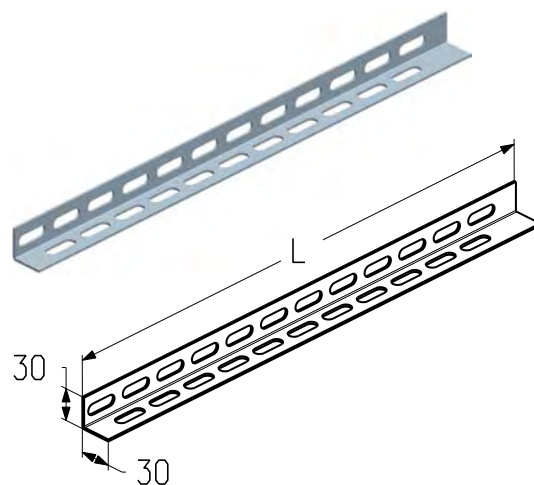
Предназначен для усиления телескопического подвеса.
Устанавливается совместно с кронштейном подвеса (ТВ607-300, ТВ607-500, ТВ607-800).

Используется:

- в гаражных воротах высокого типа монтажа;
- промышленных воротах всех типов монтажа.

Материал Оцинкованная сталь
Вес, кг/м 0,614
Единица измерения М

Арт.	Код	Длина (L), мм	Норма поставки		Розничная цена, евро с НДС
			м	шт.	
PRG09	402410400	1160	92,8	80	5,00
		1480	118,4	80	
		1800	144,0	80	
		3000	240,0	80	



С-профиль

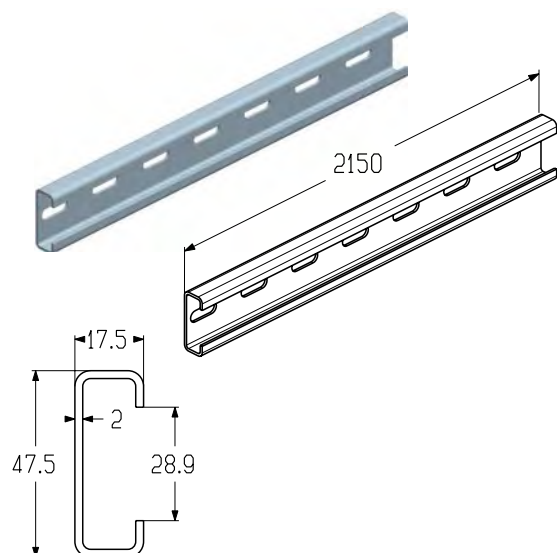
Перфорированный, предназначен для усиления телескопического подвеса.
Устанавливается совместно с кронштейном подвеса (ТВ607-1000, ТВ607-1500).

Используется:

- в гаражных воротах высокого типа монтажа;
- промышленных воротах всех типов монтажа.

Длина, мм 2150
Материал оцинкованная сталь
Вес, кг/м 1,38
Единица измерения М
Норма поставки, м 107,5

Арт.	Код	Розничная цена, евро с НДС
PRG06	402421700	6,30



УСТАНОВКА ДЕМПФЕРА



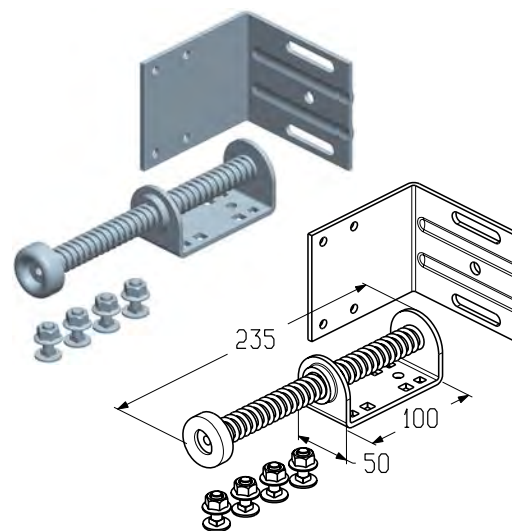
Демпфер

Предназначен для ограничения перемещения полотна промышленных ворот. Используется в промышленных воротах:

- без электропривода (цепного редуктора) стандартного типа монтажа;
- с навальным электроприводом (цепным редуктором) наклонного низкого типа монтажа;
- высокого, вертикального, наклонного высоко типов монтажа с верхним и нижним расположением вала; наклонного типа монтажа (для всех типов управления ворот).

Длина, мм 235
 Материал оцинкованная сталь
 Вес, кг/шт. 1,15
 Единица измерения шт.
 Норма поставки, шт. 60

Арт.	Код	Розничная цена, евро с НДС
SB-235	402910000	15,00

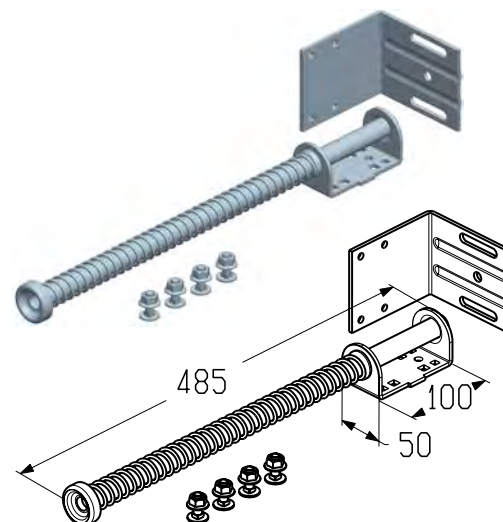


Демпфер

Предназначен для ограничения перемещения полотна промышленных ворот. Используется в промышленных воротах с навальным электроприводом и цепным редуктором стандартного и низкого типов монтажа.

Длина, мм 485
 Материал оцинкованная сталь
 Вес, кг/шт. 1,5
 Единица измерения шт.
 Норма поставки, шт. 30

Арт.	Код	Розничная цена, евро с НДС
SB-485	402910100	17,00



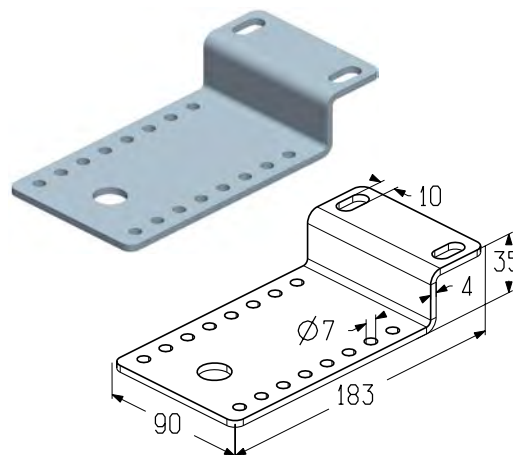
ОГРАНИЧИТЕЛИ ХОДА ПОЛОТНА

Кронштейн для демпфера

Предназначен для установки демпфера (SB-235, SB-485).
Используется в промышленных воротах низкого и наклонного низкого типов монтажа.

Материал оцинкованная сталь
Вес, кг/шт. 0,554
Единица измерения шт.
Норма поставки, шт. 40

Арт.	Код	Розничная цена, евро с НДС
BSB0302	402600500	9,50

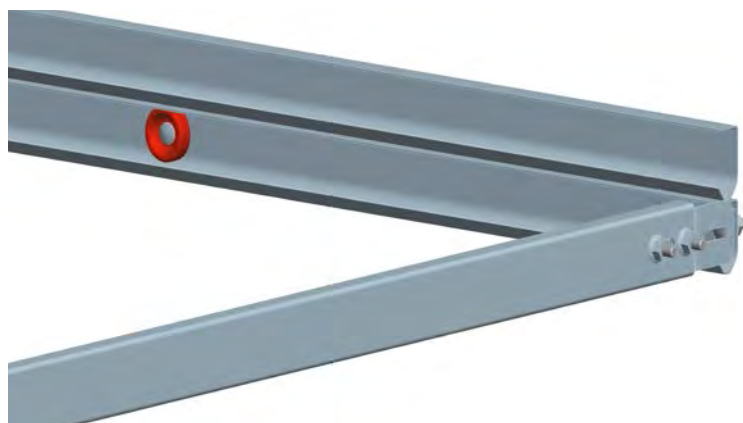


3.3

УСТАНОВКА ОГРАНИЧИТЕЛЯ И ФИКСАТОРА

Установка ограничителя

Установка фиксатора



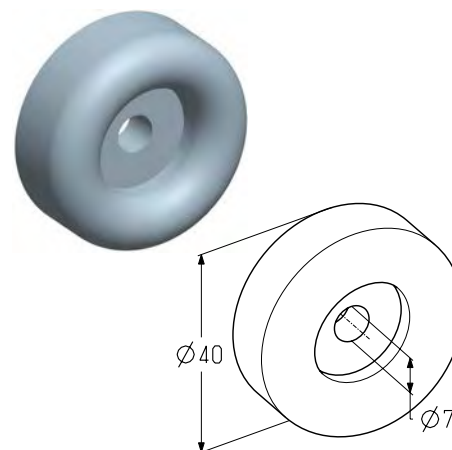
Ограничитель

Предназначен для ограничения перемещения полотна гаражных и промышленных ворот ворот.

Используется:

- в гаражных воротах низкого и стандартного типов монтажа с автоматическим управлением;
- в гаражных воротах высокого типа монтажа с автоматическим и ручным управлением;
- в промышленных воротах низкого и наклонного низкого типов монтажа с ручным управлением и с реечным электроприводом.

Материал ТРЕ
 Вес, кг/шт..... 0,03
 Единица измерения шт.
 Норма поставки, шт. 200

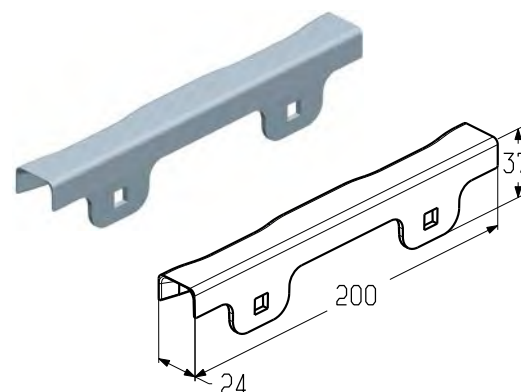


Арт.	Код	Розничная цена, евро с НДС
RS0301	402910200	1,40

Фиксатор

Предназначен для ограничения перемещения полотна гаражных ворот. Используется в гаражных воротах низкого и стандартного типов монтажа с ручным управлением.

Материал РА
 Вес, кг/шт..... 0,154
 Единица измерения шт.
 Норма поставки, шт. 128



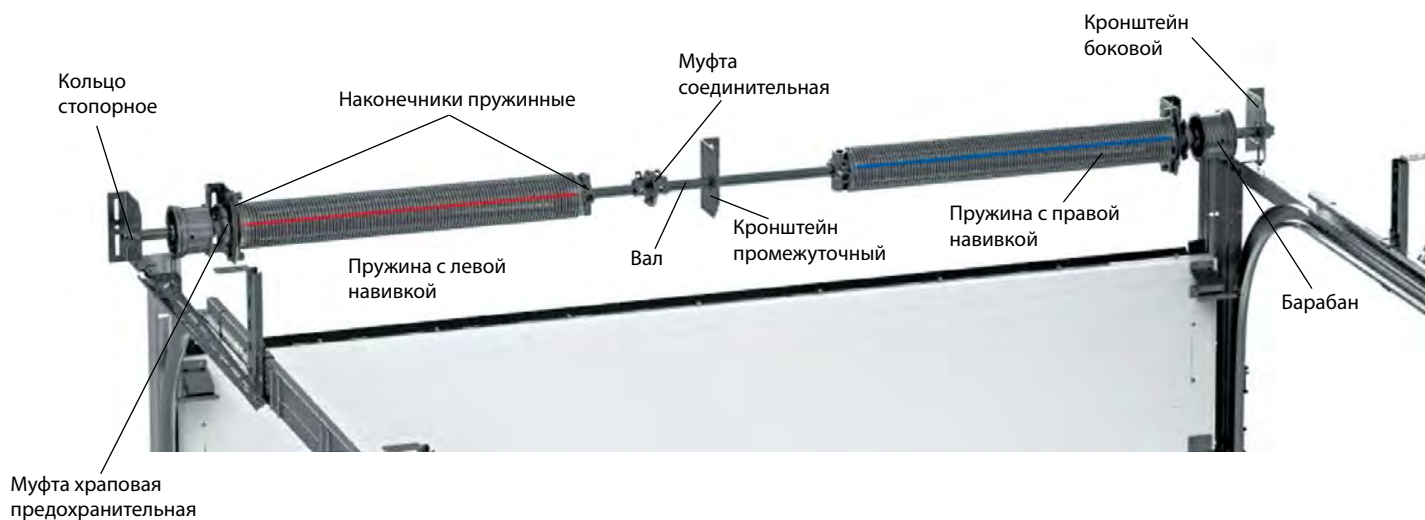
Арт.	Код	Розничная цена, евро с НДС
LH3004	402910900	6,50



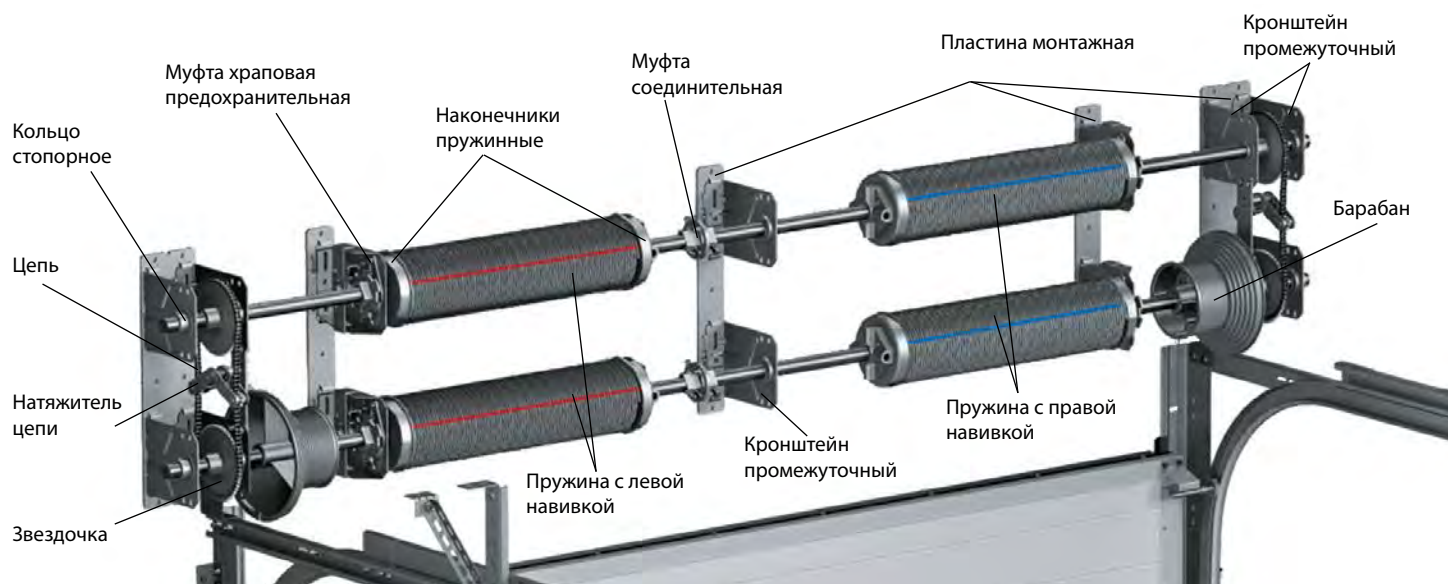
ТОРСИОННЫЙ ВАЛ

ТИПОВАЯ КОНСТРУКЦИЯ ТОРСИОННОГО ВАЛА В СОБРЕ

ОДНОВАЛЬНАЯ СИСТЕМА БАЛАНСИРОВКИ ПОЛОТНА ГАРАЖНЫХ И ПРОМЫШЛЕННЫХ ВОРОТ



ДВУХВАЛЬНАЯ СИСТЕМА БАЛАНСИРОВКИ ПОЛОТНА ПРОМЫШЛЕННЫХ ВОРОТ



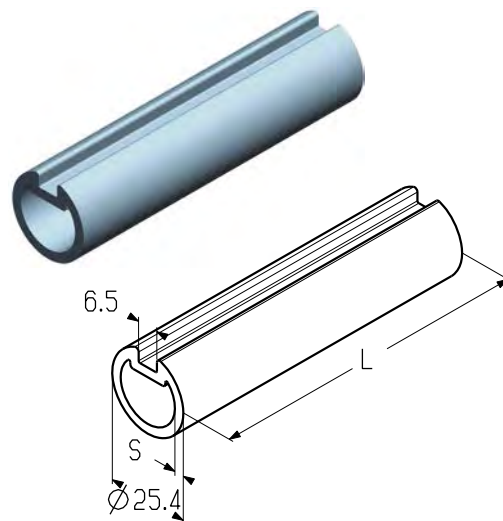
ВАЛЫ И МУФТЫ СОЕДИНИТЕЛЬНЫЕ

Вал

Применяется при массе полотна ворот менее 200 кг.
Используется для гаражных и промышленных ворот всех типов монтажа с одновальной системой балансировки.

Диаметр вала, мм..... 25,4
Материал..... оцинкованная сталь
Единица измерениям

Арт.	Код	Длина, мм	Вес, кг/м	Норма поставки		Розничная цена, евро с НДС
				м	шт.	
TSH-3000	403220000	3000	1,73	150	50	9,50
TSH-4500	403220100	4500	1,73	225	50	9,50
TSH-5500	403220200	5500	1,73	275	50	9,50

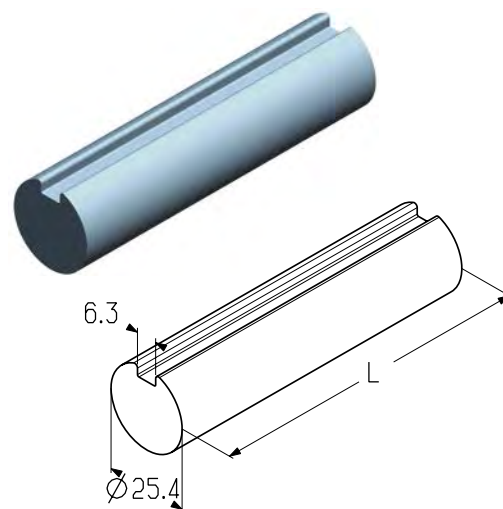


Вал

Применяется при массе полотна от 200 до 350 кг.
Используется для гаражных и промышленных ворот всех типов монтажа с одновальной системой балансировки.

Диаметр вала, мм..... 25,4
Материал..... оцинкованная сталь
Вес, кг/м..... 3,80
Единица измерениям

Арт.	Код	Длина, мм	Норма поставки		Розничная цена, евро с НДС
			м	шт.	
TSS-4500	403220500	4500	112,5	25	24,00
TSS-5000	403220300	5000	125,0	25	24,00

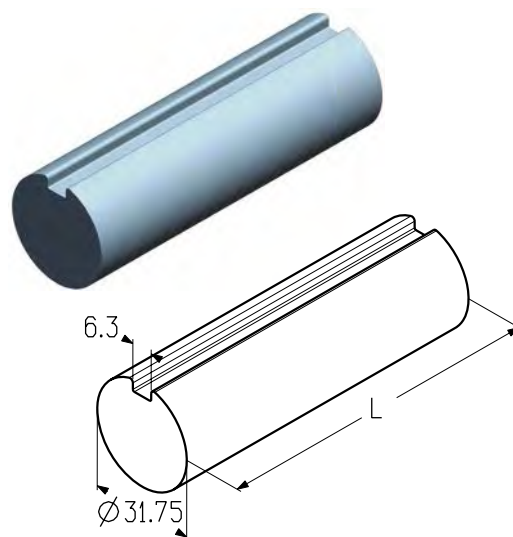


Вал

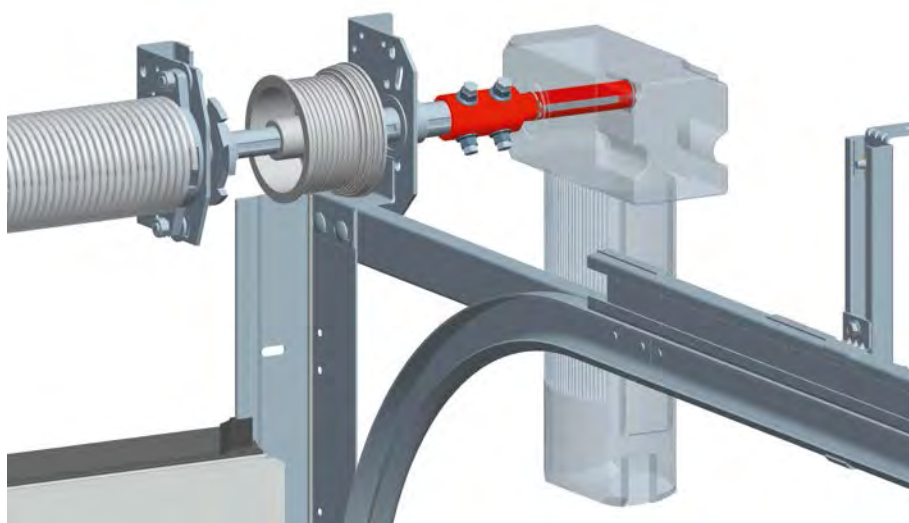
Применяется при массе полотна свыше 350 кг.
Используется для промышленных ворот всех типов монтажа с одновальной и двухвальной системами балансировки.

Диаметр вала, мм..... 31,75
Материал..... оцинкованная сталь
Вес, кг/м..... 6,02
Единица измерениям

Арт.	Код	Длина, мм	Норма поставки		Розничная цена, евро с НДС
			м	шт.	
TSS-5/4-3800	403230400	3800	95	25	38,00
TSS-5/4-5800	403230100	5800	145	25	45,00
TSS-5/4-6000	403230200	6000	150	25	78,00



УСТАНОВКА АДАПТЕРА ВАЛА

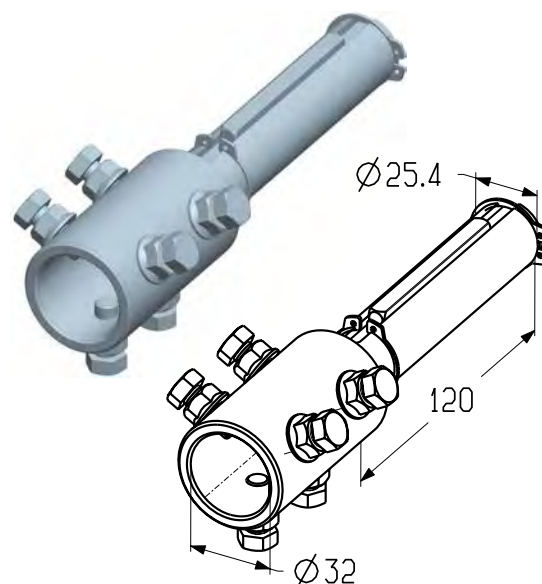


Адаптер

Предназначен для установки навалных электроприводов Nice и цепного редуктора на вал диаметром 31,75 мм.
Используется в промышленных воротах всех типов монтажа с одновальной и двухвальной системами балансировки.

Материал оцинкованная сталь
Вес, кг/шт. 0,944
Единица измерения шт.
Норма поставки, шт. 10

Арт.	Код	Розничная цена, евро с НДС
SA-5/4	403720000	35,50

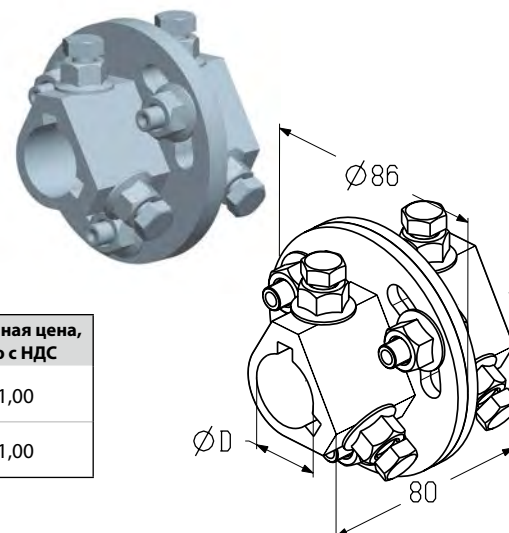


Муфта соединительная

Предназначена для сборки торсионного вала.
Используется в гаражных и промышленных воротах всех типов монтажа.

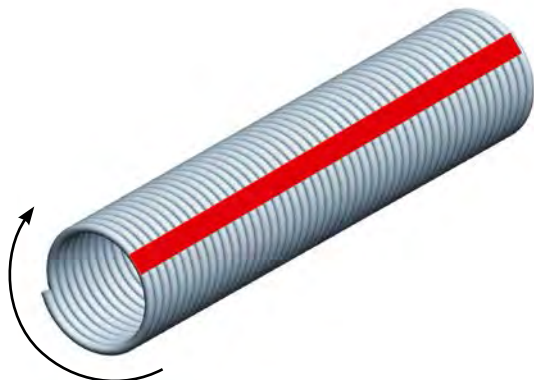
Материал оцинкованная сталь
Единица измерения шт.

Арт.	Код	Диаметр вала, мм	Применение	Вес, кг/шт.	Норма поставки, шт.	Розничная цена, евро с НДС
АС-1	403710000	25,4	одновальная система балансировки	0,73	100	21,00
АС-5/4	403710100	31,75	двухвальная система балансировки	0,70	14	21,00

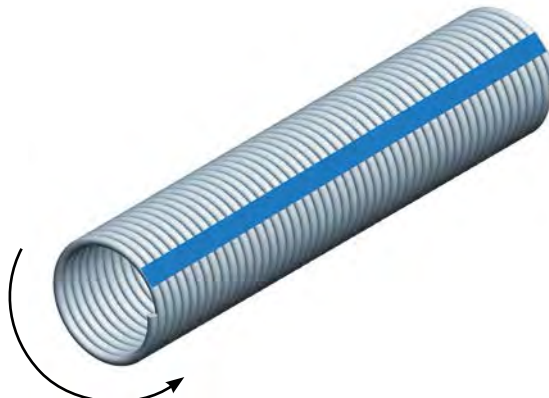


ПРУЖИНЫ И НАКОНЕЧНИКИ ПРУЖИННЫЕ

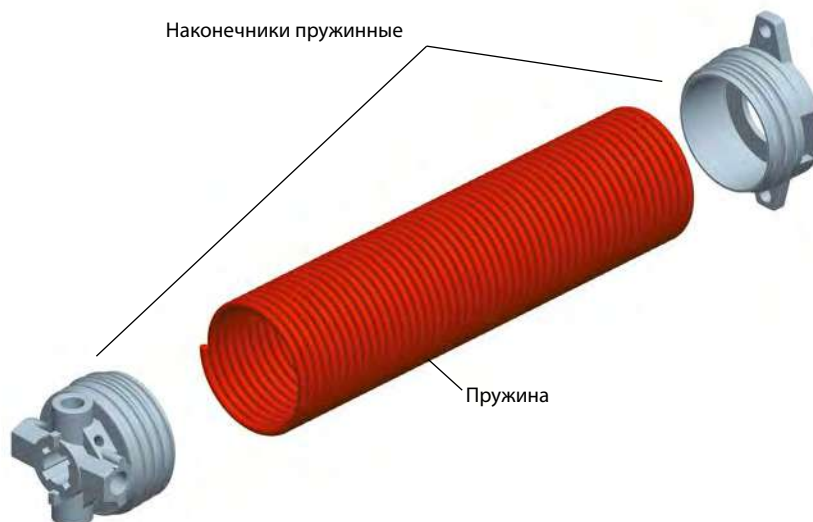
ПРУЖИНА С ЛЕВОЙ НАВИВКОЙ — L
(МАРКИРУЕТСЯ КРАСНЫМ ЦВЕТОМ)



ПРУЖИНА С ПРАВОЙ НАВИВКОЙ — R
(МАРКИРУЕТСЯ ЛЮБЫМ ДРУГИМ ЦВЕТОМ)



СХЕМАТИЧЕСКОЕ ИЗОБРАЖЕНИЕ ПРУЖИНЫ С НАКОНЕЧНИКАМИ ПРУЖИННЫМИ



СХЕМАТИЧЕСКОЕ ИЗОБРАЖЕНИЕ ДУПЛЕКСНОЙ ПРУЖИНЫ

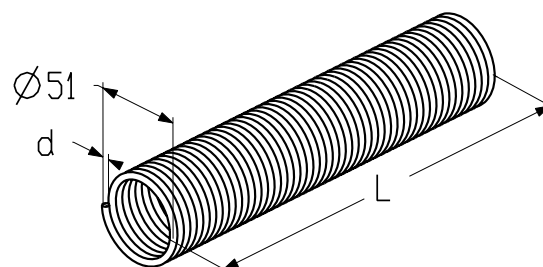


3.4

Пружина

Используется в гаражных и промышленных воротах всех типов монтажа с одновальной системой балансировки.

Внутренний диаметр, мм51
 Диаметр вала, мм 25,4
 Материал стальная проволока
 Покрытие полимерное
 Цвет RAL9006
 Единица измерения м


3.4

w

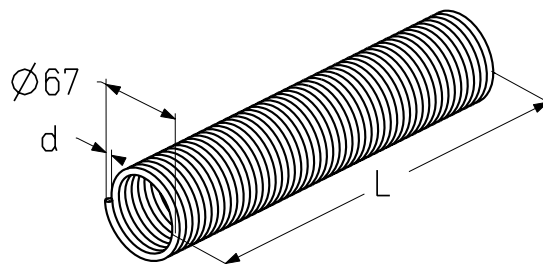
Арт.	Код	d, мм	Длина, мм	Вес, кг/м	Норма поставки		Розничная цена, евро с НДС
					м	шт.	
TSA42,5x51x900R	403380000	4,25	900	4,55	4,50	5	50,00
TSA42,5x51x900L	403380100	4,25	900	4,55	4,50	5	50,00
TSA45x51x1100R	403380200	4,50	1100	4,80	5,50	5	53,00
TSA45x51x1100L	403380300	4,50	1100	4,80	5,50	5	53,00
TSA47,5x51x1250R	403380400	4,75	1250	5,00	6,25	5	50,00
TSA47,5x51x1250L	403380500	4,75	1250	5,00	6,25	5	50,00
TSA50x51x1350R	403800100	5,00	1350	5,40	6,75	5	61,00
TSA50x51x1350L	403800200	5,00	1350	5,40	6,75	5	61,00
TSA52,5x51x1400R	403800500	5,25	1400	5,70	7,00	5	65,00
TSA52,5x51x1400L	403800600	5,25	1400	5,70	7,00	5	65,00
TSA52,5x51x1100R	403800300	5,25	1100	5,70	5,50	5	65,00
TSA52,5x51x1100L	403800400	5,25	1100	5,70	5,50	5	65,00
TSA55x51x1400R	403800700	5,50	1400	6,00	7,00	5	68,00
TSA55x51x1400L	403800800	5,50	1400	6,00	7,00	5	68,00
TSA57,5x51x1600R	403800900	5,75	1600	6,35	8,00	5	72,00
TSA57,5x51x1600L	403801000	5,75	1600	6,35	8,00	5	72,00
TSA60x51x1700R	403801100	6,00	1700	6,62	8,50	5	64,00
TSA60x51x1700L	403801200	6,00	1700	6,62	8,50	5	64,00
TSA62,5x51x1800R	403801300	6,25	1800	6,80	9,00	5	79,00
TSA62,5x51x1800L	403801400	6,25	1800	6,80	9,00	5	79,00
TSA65x51x1900R	403801500	6,50	1900	7,24	9,50	5	83,00
TSA65x51x1900L	403801600	6,50	1900	7,24	9,50	5	83,00
TSA70x51x1400R	403382000	7,00	1400	7,70	7,00	5	77,00
TSA70x51x1400L	403382100	7,00	1400	7,70	7,00	5	77,00
TSA70x51x2000R	403384800	7,00	2000	7,70	10,00	5	77,00
TSA70x51x2000L	403384900	7,00	2000	7,70	10,00	5	77,00

ПРУЖИНЫ И НАКОНЕЧНИКИ ПРУЖИННЫЕ

Пружина

Используется в гаражных и промышленных воротах всех типов монтажа с одновальным системой балансировки полотна.

Внутренний диаметр, мм67
 Диаметр вала, мм..... 25,4
 Материал..... стальная проволока
 Покрытие..... полимерное
 Цвет..... RAL9006
 Единица измеренияМ

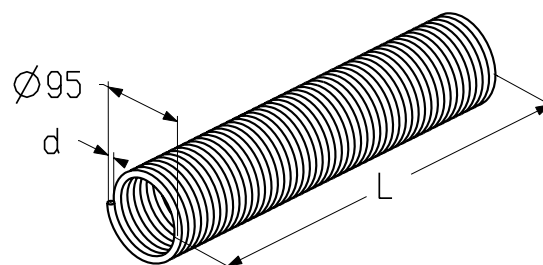


Арт.	Код	d, мм	Длина, мм	Вес, кг/м	Норма поставки		Розничная цена, евро с НДС
					м	шт.	
TSA55×67×1200R	403383700	5,50	1200	7,72	6,00	5	76,00
TSA55×67×1200L	403382400	5,50	1200	7,72	6,00	5	76,00
TSA57,5×67×1400R	403382500	5,75	1400	8,10	7,00	5	78,00
TSA57,5×67×1400L	403382600	5,75	1400	8,10	7,00	5	78,00
TSA60×67×1500R	403802700	6,00	1500	8,50	7,50	5	93,00
TSA60×67×1500L	403802800	6,00	1500	8,50	7,50	5	93,00
TSA62,5×67×1700R	403387200	6,25	1700	8,87	8,50	5	100,00
TSA62,5×67×1700L	403387300	6,25	1700	8,87	8,50	5	100,00
TSA65×67×1800R	403802100	6,50	1900	9,25	9,00	5	102,00
TSA65×67×1800L	403802200	6,50	1900	9,25	9,00	5	102,00
TSA70×67×2050R	403802300	7,00	2050	10,00	10,25	5	113,00
TSA70×67×2050L	403802400	7,00	2050	10,00	10,25	5	113,00
TSA75×67×2200R	403802500	7,50	2200	10,90	11,00	5	120,00
TSA75×67×2200L	403802600	7,50	2200	10,90	11,00	5	120,00

Пружина

Используется:

- в гаражных воротах высокого типа монтажа;
- в промышленных воротах всех типов монтажа с одновальными и двухвальными системами балансировки.

 Внутренний диаметр, мм95
 Диаметр вала, мм..... 25,4/31,75
 Материал..... стальная проволока
 Покрытие..... полимерное
 Цвет..... RAL9006
 Единица измерениям


3.4

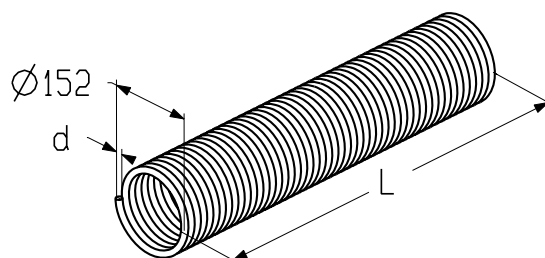
Арт.	Код	d, мм	Длина, мм	Вес, кг/м	Норма поставки		Розничная цена, евро с НДС
					м	шт.	
TSA65×95×1500L	403376300	6,5	1500	12,80	7,50	5	109,00
TSA65×95×1500R	403376200	6,5	1500	12,80	7,50	5	109,00
TSA70×95×1150L	403376500	7,0	1150	13,80	5,75	5	113,00
TSA70×95×1150R	403376400	7,0	1150	13,80	5,75	5	113,00
TSA70×95×1650L	403376700	7,0	1650	13,80	8,25	5	113,00
TSA70×95×1650R	403376600	7,0	1650	13,80	8,25	5	113,00
TSA75×95×1300L	403376900	7,5	1300	14,90	6,50	5	122,00
TSA75×95×1300R	403376800	7,5	1300	14,90	6,50	5	122,00
TSA75×95×1750L	403377100	7,5	1750	14,90	8,75	5	122,00
TSA75×95×1750R	403377000	7,5	1750	14,90	8,75	5	122,00
TSA80×95×1500L	403700200	8,0	1500	16,00	7,50	5	116,00
TSA80×95×1500R	403700100	8,0	1500	16,00	7,50	5	116,00
TSA80×95×2100L	403370700	8,0	2100	16,00	10,50	5	116,00
TSA80×95×2100R	403370800	8,0	2100	16,00	10,50	5	116,00
TSA85×95×1250L	403370900	8,5	1250	17,00	6,25	5	128,00
TSA85×95×1250R	403371000	8,5	1250	17,00	6,25	5	128,00
TSA85×95×1600L	403377300	8,5	1600	17,00	8,00	5	128,00
TSA85×95×1600R	403377200	8,5	1600	17,00	8,00	5	128,00
TSA90×95×1400L	403371100	9,0	1400	18,20	7,00	5	139,00
TSA90×95×1400R	403371200	9,0	1400	18,20	7,00	5	139,00
TSA90×95×1500L	403377500	9,0	1500	18,20	7,50	5	139,00
TSA90×95×1500R	403377400	9,0	1500	18,20	7,50	5	139,00
TSA90×95×1800L	403373700	9,0	1800	18,20	9,00	5	139,00
TSA90×95×1800R	403373800	9,0	1800	18,20	9,00	5	139,00
TSA95×95×1600L	403371300	9,5	1600	19,30	8,00	5	149,00
TSA95×95×1600R	403371400	9,5	1600	19,30	8,00	5	149,00
TSA95×95×1750L	403375200	9,5	1750	19,30	8,75	5	149,00
TSA95×95×1750R	403375300	9,5	1750	19,30	8,75	5	149,00

ПРУЖИНЫ И НАКОНЕЧНИКИ ПРУЖИННЫЕ

Пружина

Используется в промышленных воротах всех типов монтажа с одновальными и двухвальными системами балансировки.

Внутренний диаметр, мм 152
 Диаметр вала, мм 25,4/31,75
 Материал стальная проволока
 Покрытие полимерное
 Цвет RAL9006
 Единица измерения м



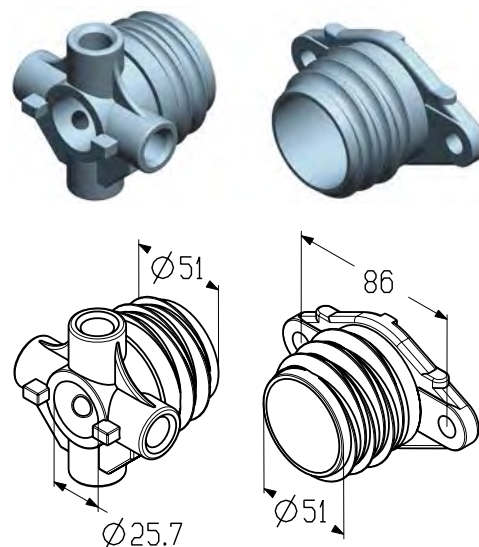
Арт.	Код	d, мм	Длина, мм	Вес, кг/м	Норма поставки		Розничная цена, евро с НДС
					м	шт.	
TSA75×152×1300L	403377700	7,5	1300	23,20	6,50	5	180,00
TSA75×152×1300R	403377600	7,5	1300	23,20	6,50	5	180,00
TSA80×152×1500L	403377900	8,0	1500	24,90	7,50	5	203,00
TSA80×152×1500R	403377800	8,0	1500	24,90	7,50	5	203,00
TSA85×152×1250L	403700600	8,5	1250	26,40	6,25	5	215,00
TSA85×152×1250R	403700500	8,5	1250	26,40	6,25	5	215,00
TSA85×152×1750L	403700400	8,5	1750	26,40	8,75	5	215,00
TSA85×152×1750R	403700300	8,5	1750	26,40	8,75	5	215,00
TSA90×152×2200L	403378300	9,0	2200	28,00	11,00	5	228,00
TSA90×152×2200R	403378200	9,0	2200	28,00	11,00	5	228,00
TSA95×152×1300L	403375700	9,5	1300	29,60	6,50	5	228,00
TSA95×152×1300R	403375600	9,5	1300	29,60	6,50	5	228,00
TSA95×152×2250L	403372300	9,5	2250	29,60	11,25	5	228,00
TSA95×152×2250R	403372400	9,5	2250	29,60	11,25	5	228,00
TSA100×152×1400L	403700800	10,0	1400	31,30	7,00	5	266,00
TSA100×152×1400R	403700700	10,0	1400	31,30	7,00	5	266,00
TSA100×152×2450L	403701000	10,0	2450	31,30	12,25	5	266,00
TSA100×152×2450R	403700900	10,0	2450	31,30	12,25	5	266,00
TSA105×152×1400L	403372700	10,5	1400	33,13	7,00	5	270,00
TSA105×152×1400R	403372800	10,5	1400	33,13	7,00	5	270,00
TSA105×152×1650L	403378900	10,5	1650	33,13	8,25	5	270,00
TSA105×152×1650R	403378800	10,5	1650	33,13	8,25	5	270,00
TSA110×152×1550L	403375800	11,0	1550	34,70	7,75	5	251,00
TSA110×152×1550R	403375900	11,0	1550	34,70	7,75	5	251,00
TSA110×152×1800L	403379100	11,0	1800	34,70	9,00	5	251,00
TSA110×152×1800R	403379000	11,0	1800	34,70	9,00	5	251,00
TSA115×152×1800L	403701200	11,5	1800	36,51	9,00	5	305,00
TSA115×152×1800R	403701100	11,5	1800	36,51	9,00	5	305,00
TSA120×152×1700L	403379500	12,0	1700	38,10	8,50	5	280,00
TSA120×152×1700R	403379400	12,0	1700	38,10	8,50	5	280,00
TSA120×152×2100L	403373300	12,0	2100	38,10	10,50	5	280,00
TSA120×152×2100R	403373400	12,0	2100	38,10	10,50	5	280,00

Наконечники пружинные 51 мм

Используются совместно с пружинами с внутренним диаметром 51 мм.

 Материалалюминий
 Диаметр вала, мм..... 25,4
 Вес, кг/пара0,7
 Единица измеренияпара
 Норма поставки, пара 100

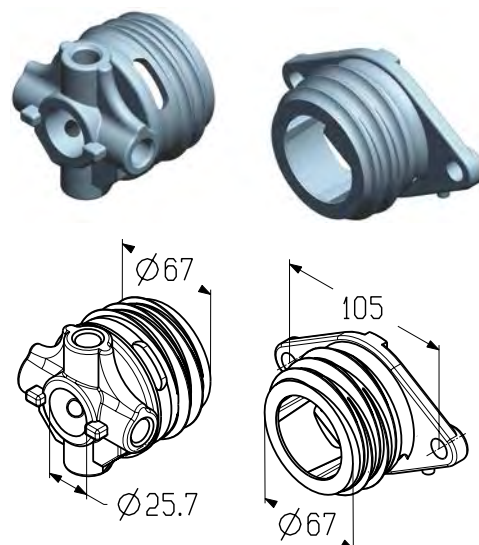
Арт.	Код	Розничная цена, евро с НДС
SF-51	403120000	11,00


Наконечники пружинные 67 мм

Используются совместно с пружинами с внутренним диаметром 67 мм.

 Материалалюминий
 Диаметр вала, мм..... 25,4
 Вес, кг/пара 1
 Единица измеренияпара
 Норма поставки, пара 100

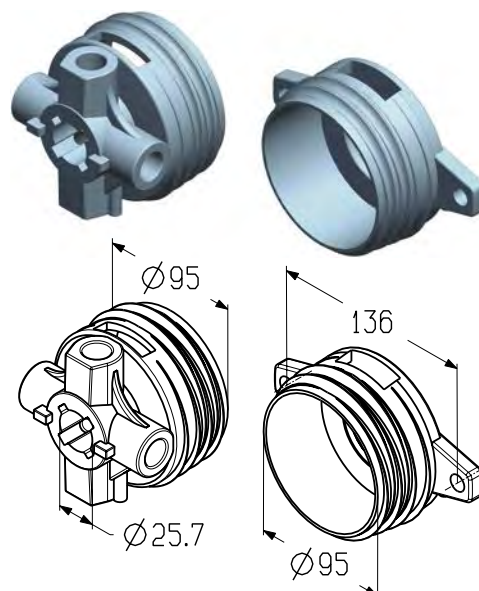
Арт.	Код	Розничная цена, евро с НДС
SF-67	403120100	15,00


Наконечники пружинные 95 мм

Используются совместно с пружинами с внутренним диаметром 95 мм.

 Материалалюминий
 Диаметр вала, мм..... 25,4
 Вес, кг/пара3,2
 Единица измеренияпара
 Норма поставки, пара20

Арт.	Код	Розничная цена, евро с НДС
SF-95	403120200	19,00



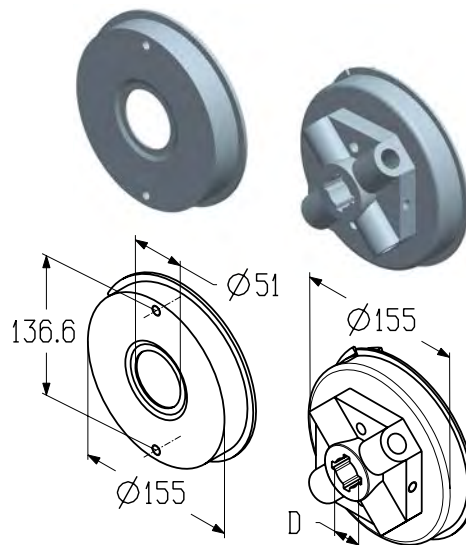
ПРУЖИНЫ И НАКОНЕЧНИКИ ПРУЖИННЫЕ

Наконечники пружинные 152 мм

Используются совместно с пружинами с внутренним диаметром 152 мм.

Материал.....алюминий
 Вес, кг/пара..... 1,33
 Единица измеренияпара
 Норма поставки, пара 7

Арт.	Код	Диаметр вала, мм	Примечание	Розничная цена, евро с НДС
SF-152L	403120500	25,4	Левый	28,00
SF-152R	403120400		Правый	28,00
SF-152L-5/4	403130200	31,75	Левый	28,00
SF-152R-5/4	403130100		Правый	28,00

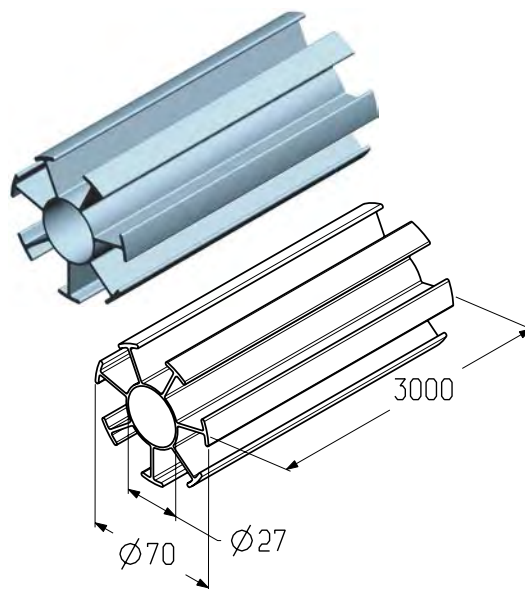


Профиль проставочный

Применяется совместно с пружиной с внутренним диаметром 95 мм.

Диаметр вала, мм..... 25,4
 Длина, мм.....3000
 Материал.....ПВХ
 Вес, кг/м.....1,7
 Единица измерениям
 Норма поставки, м 150

Арт.	Код	Розничная цена, евро с НДС
IP-95-3000	403520000	11,00

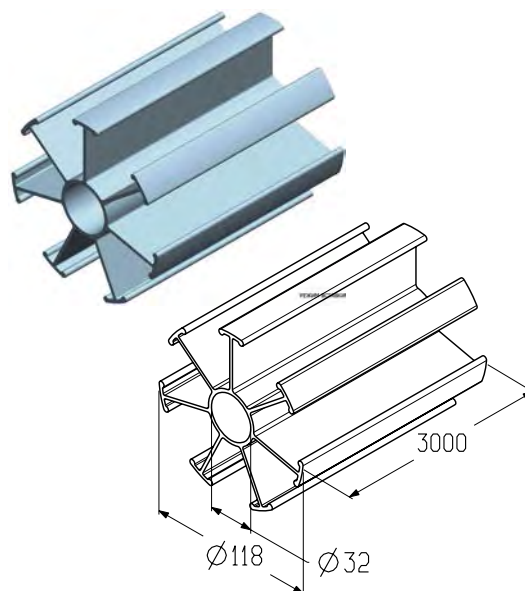


Профиль проставочный

Применяется совместно с пружиной с внутренним диаметром 152 мм.

Диаметр вала, мм..... 25,4/31,75
 Длина, мм.....3000
 Материал.....ПВХ
 Вес, кг/м.....1,16
 Единица измерениям
 Норма поставки, м 225

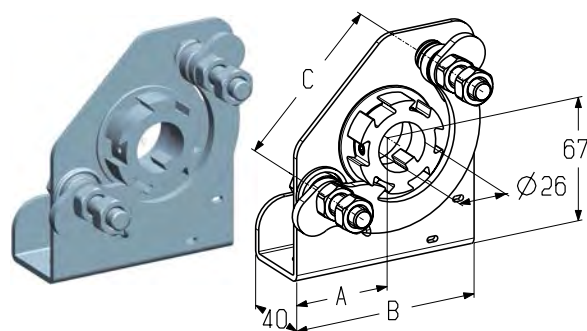
Арт.	Код	Розничная цена, евро с НДС
IP-152-3000	403520100	21,00



МУФТЫ ПРЕДОХРАНИТЕЛЬНЫЕ ХРАПОВЫЕ
Муфта предохранительная храповая

Предназначена для блокировки вала при поломке пружины.
Используется в гаражных воротах стандартного и низкого типов монтажа.

Материал оцинкованная сталь
Диаметр вала, мм 25,4
Единица измерения шт.



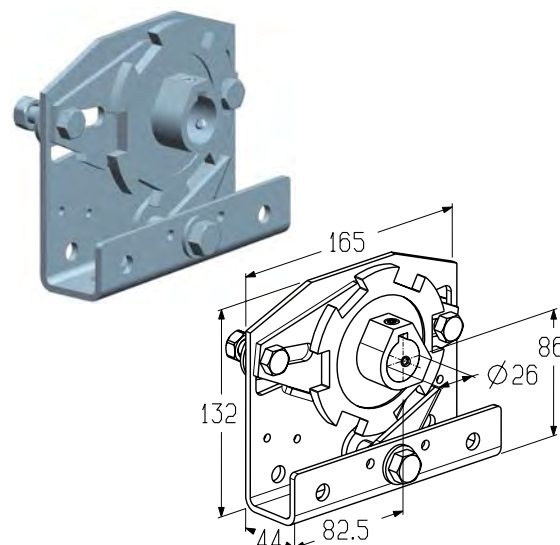
Арт.	Код	Основные размеры, мм			Вес, кг/шт.	Примечание	Применение	Норма поставки, шт.	Розничная цена, евро с НДС
		А	В	С					
SBD-51L	403730000	50	100	86	0,740	Левая	Устанавливается совместно с пружиной с внутренним диаметром 51 мм	24	24,00
SBD-51R	403730100	50	100	86	0,740	Правая		24	24,00
SBD-67L	403730200	55	110	105	0,795	Левая	Устанавливается совместно с пружиной с внутренним диаметром 67 мм	24	24,00
SBD-67R	403730300	55	110	105	0,795	Правая		24	24,00

Муфта предохранительная храповая

Предназначена для блокировки вала при поломке пружины.
Используется:

- в гаражных воротах высокого типа монтажа;
- в промышленных воротах всех типов монтажа с одновальным системой балансировки.

Диаметр вала, мм 25,4
Материал оцинкованная сталь
Вес, кг/шт 1,67
Единица измерения шт.
Норма поставки, шт 10

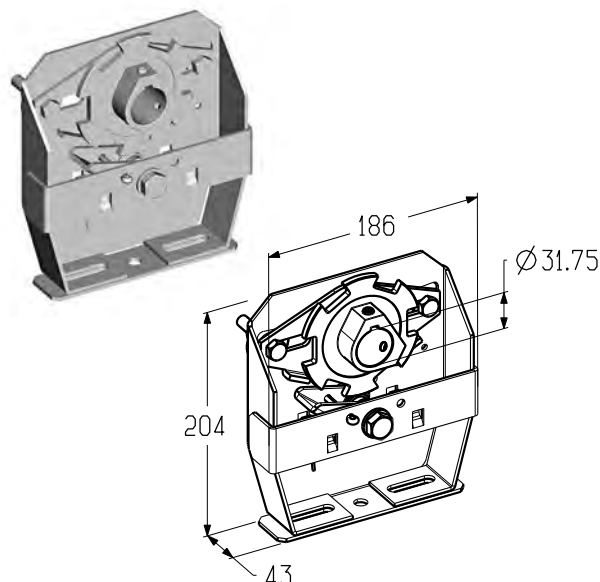


Арт.	Код	Примечание	Применение	Розничная цена, евро с НДС
SBD-1L	403730400	Левая	Устанавливается совместно с пружинами с внутренним диаметром 51, 67, 95, 152 мм	40,00
SBD-1R	403730500	Правая		40,00

Муфта предохранительная храповая

Предназначена для блокировки вала при поломке пружины.
Используется в промышленных воротах всех типов монтажа с одновальной и двухвальной системой балансировки.
Устанавливается совместно с пружинами с внутренним диаметром 95, 152 мм.

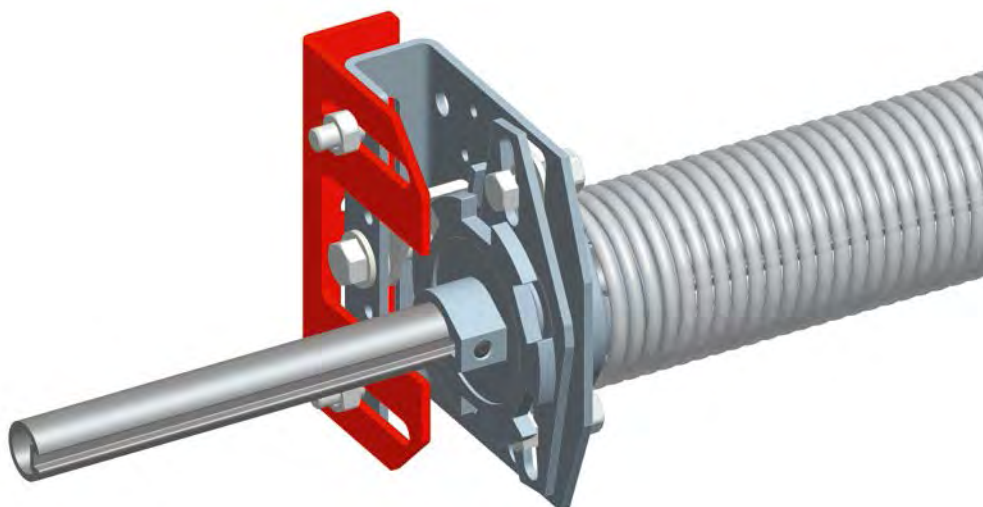
Материал оцинкованная сталь
Диаметр вала, мм 31,75
Единица измерения шт.
Вес, кг/шт 2,50
Норма поставки, шт 20



Арт.	Код	Примечание	Розничная цена, евро с НДС
SBD-TSS5/4L	403730800	Левый	84,00
SBD-TSS5/4R	403730900	Правый	84,00

МУФТЫ ПРЕДОХРАНИТЕЛЬНЫЕ ХРАПОВЫЕ

УСТАНОВКА КРОНШТЕЙНА



Кронштейн

Предназначен для крепления муфты предохранительной храповой (SBD-1L/R) к стене.

Используется:

- в гаражных воротах высокого типа монтажа;
- в промышленных воротах всех типов монтажа с одновальным системой балансировки.

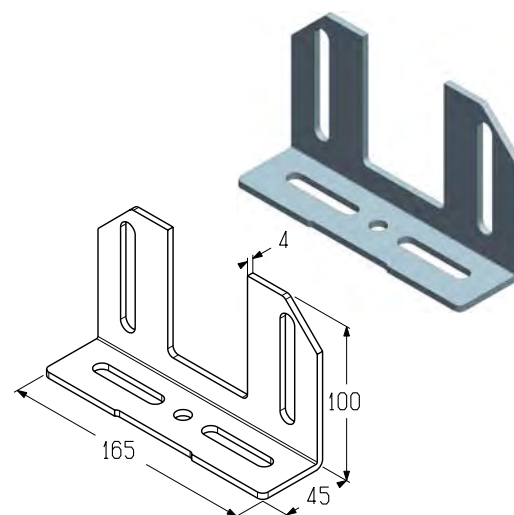
Материал оцинкованная сталь

Вес, кг/шт. 0,46

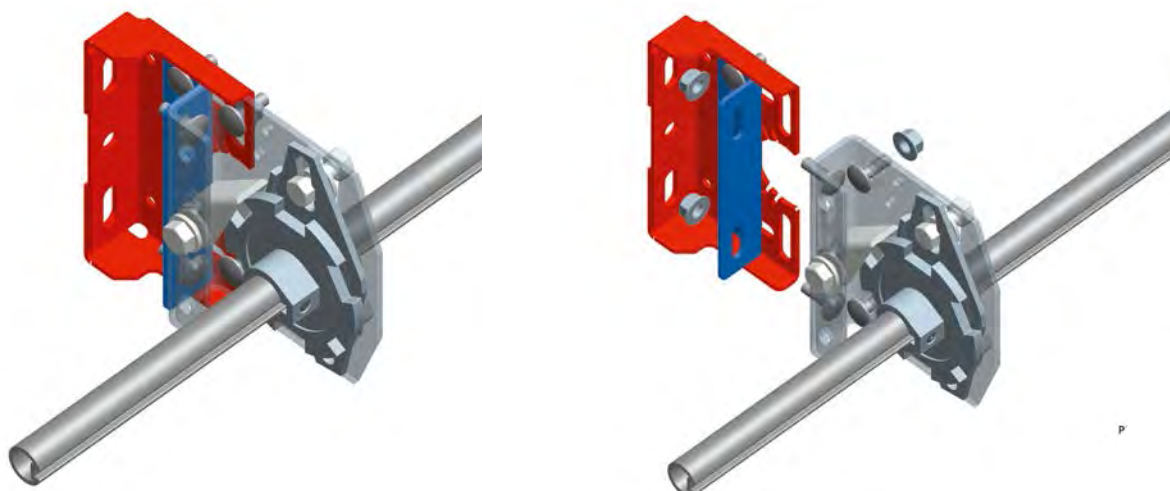
Единица измерения шт.

Норма поставки, шт. 40

Арт.	Код	Применение	Розничная цена, евро с НДС
B-86	403420000	При расстоянии от стены до оси вала более 86 мм	8,50



УСТАНОВКА КРОНШТЕЙНОВ



Кронштейн

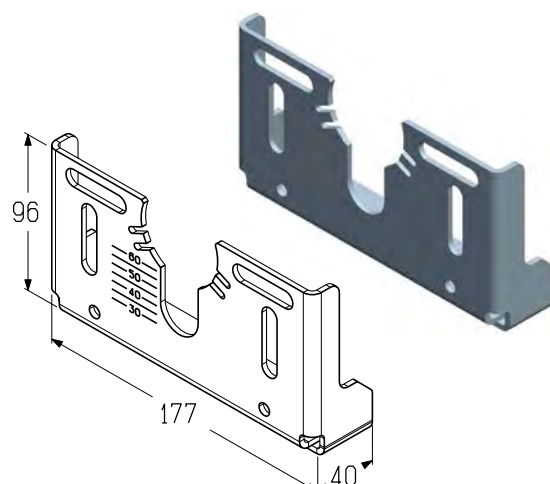
Предназначен для крепления муфты предохранительной храповой (SBD-1L/R) к стене.

Устанавливается совместно с кронштейном (В-152А).

Используется в промышленных воротах всех типов монтажа с одновальным системой балансировки.

Материал оцинкованная сталь
 Вес, кг/шт. 0,55
 Единица измерения шт.
 Норма поставки, шт. 25

Арт.	Код	Применение	Розничная цена, евро с НДС
В-152	403420100	При расстоянии от стены до оси вала 86—152 мм и массе полотна свыше 250 кг	12,00



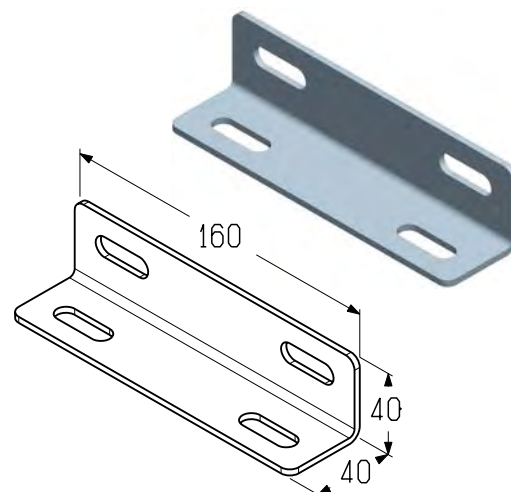
Кронштейн

Применяется совместно с кронштейном (В-152).

Используется в промышленных воротах всех типов монтажа с одновальным системой балансировки.

Материал оцинкованная сталь
 Вес, кг/шт. 0,25
 Единица измерения шт.
 Норма поставки, шт. 25

Арт.	Код	Применение	Розничная цена, евро с НДС
В-152А	403420200	При расстоянии от стены до оси вала 152 мм	4,50



БАРАБАНЫ

Барaban

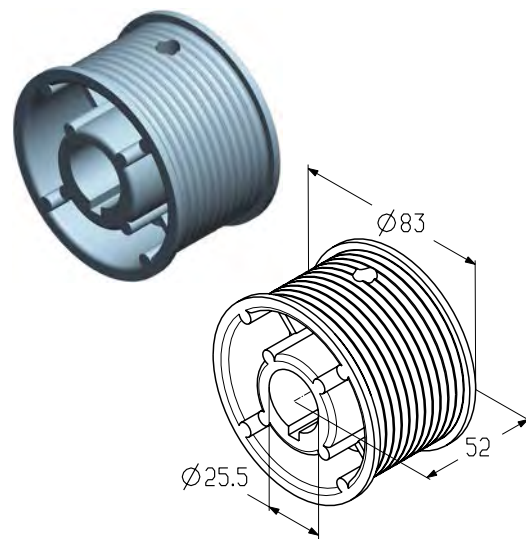
Предназначен для намотки троса Ø 3 мм.

Используется:

- в гаражных воротах стандартных и низких типов монтажа;
- в промышленных воротах стандартных, низких, наклонных низких и наклонных типов монтажа с одновальной системой балансировки.

Диаметр вала, мм.....	25,4
Мах высота ворот, мм.....	3000
Мах масса полотна ворот, кг.....	320
Материал.....	алюминий
Вес, кг/пара.....	0,8
Единица измерения.....	пара
Норма поставки, пара.....	25

Арт.	Код	Розничная цена, евро с НДС
CD010N	403020000	22,00



Барaban

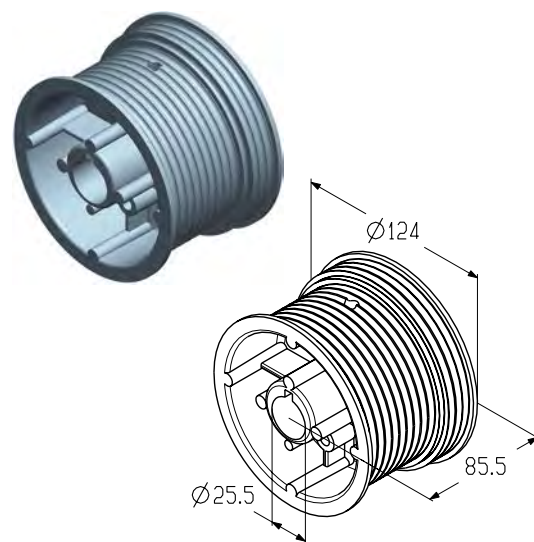
Предназначен для намотки троса Ø 3, 4, 5 мм.

Используется:

- в гаражных воротах стандартных и низких типов монтажа;
- в промышленных воротах стандартных, низких, наклонных низких и наклонных типов монтажа с одновальной системой балансировки.

Диаметр вала, мм.....	25,4
Мах высота ворот, мм.....	3680
Мах масса полотна ворот, кг.....	500
Материал.....	алюминий
Вес, кг/пара.....	1,1
Единица измерения.....	пара
Норма поставки, пара.....	20

Арт.	Код	Розничная цена, евро с НДС
CD012N	403020100	24,00



Барaban

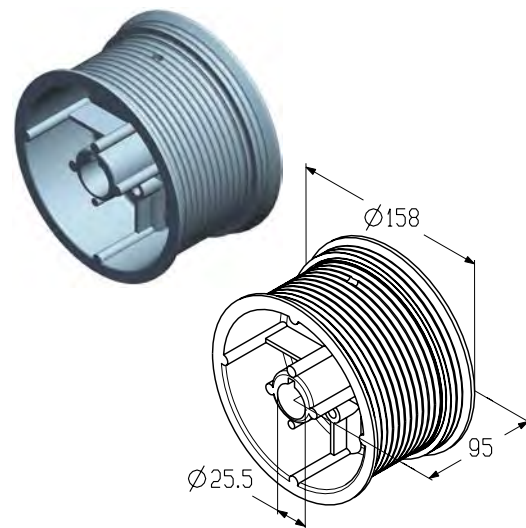
Предназначен для намотки троса Ø 3, 4, 5 мм.

Используется:

- в гаражных воротах стандартных и низких типов монтажа;
- в промышленных воротах стандартных, низких, наклонных низких и наклонных типов монтажа с одновальной системой балансировки.

Диаметр вала, мм.....	25,4
Мах высота ворот, мм.....	5570
Мах масса полотна ворот, кг.....	500
Материал.....	алюминий
Вес, кг/пара.....	1,6
Единица измерения.....	пара
Норма поставки, пара.....	15

Арт.	Код	Розничная цена, евро с НДС
CD018N	403020200	44,00



Барaban

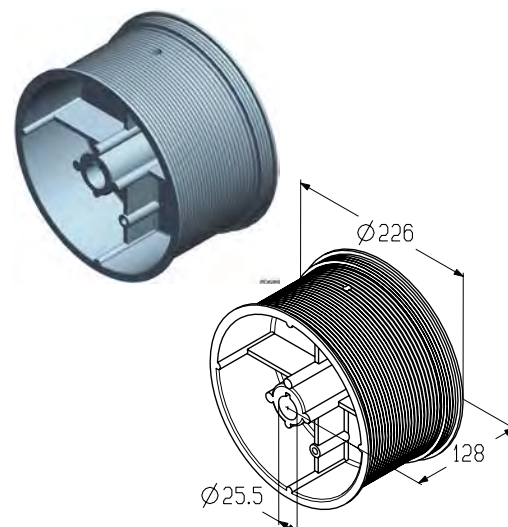
Предназначен для крепления троса Ø 3, 4, 5, 6 мм.

Используется:

- в гаражных воротах стандартных и низких типов монтажа;
- в промышленных воротах стандартных, низких, наклонных низких и наклонных типов монтажа с одновальнoй системой балансировки.

Диаметр вала, мм.....	25,4
Мах высота ворот, мм.....	10175
Мах масса полотна ворот, кг.....	700
Материал.....	алюминий
Вес, кг/пара.....	5,1
Единица измерения.....	пара
Норма поставки, пара.....	4

Арт.	Код	Розничная цена, евро с НДС
CD032N	403020300	223,00



Барaban

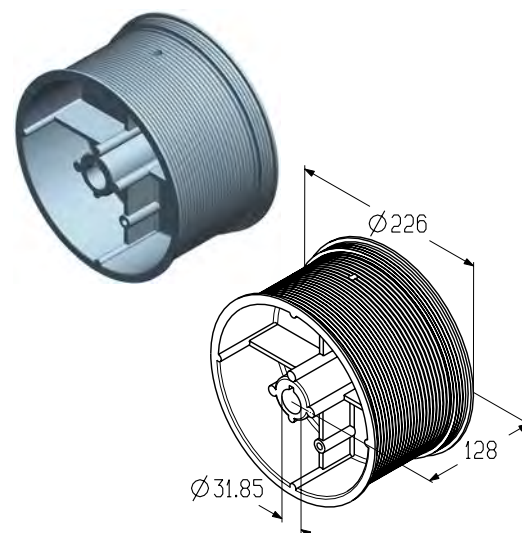
Предназначен для крепления троса Ø 3, 4, 5, 6 мм.

Используется:

- в гаражных воротах стандартных и низких типов монтажа;
- в промышленных воротах стандартных, низких, наклонных низких и наклонных типов монтажа с одновальнoй и двухвальнoй системой балансировки.

Диаметр вала, мм.....	31,75
Мах высота ворот, мм.....	10175
Мах масса полотна ворот, кг.....	700
Материал.....	алюминий
Вес, кг/пара.....	5,1
Единица измерения.....	пара
Норма поставки, пара.....	2

Арт.	Код	Розничная цена, евро с НДС
CD032N-5/4	403030000	223,00



Барaban

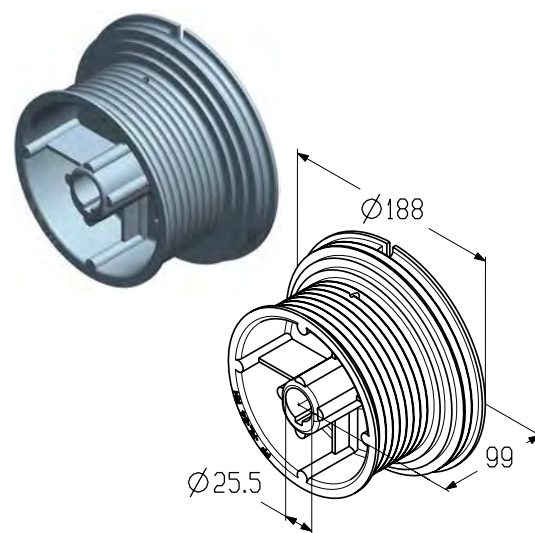
Предназначен для крепления троса Ø 3, 4, 5 мм.

Используется:

- в гаражных воротах высокого типа монтажа;
- в промышленных воротах высоких и высоких наклонных типов монтажа с одновальнoй системой балансировки.

Диаметр вала, мм.....	25,4
Мах высота ворот, мм.....	4800
Мах масса полотна ворот, кг.....	500
Мах HL*, мм.....	1370
Материал.....	алюминий
Вес, кг/пара.....	2,1
Единица измерения.....	пара
Норма поставки, пара.....	6

Арт.	Код	Розничная цена, евро с НДС
CD054H	403020400	60,00



* Максимальное расстояние от нижнего края перемычки до нижнего края горизонтальных направляющих.

БАРАБАНЫ

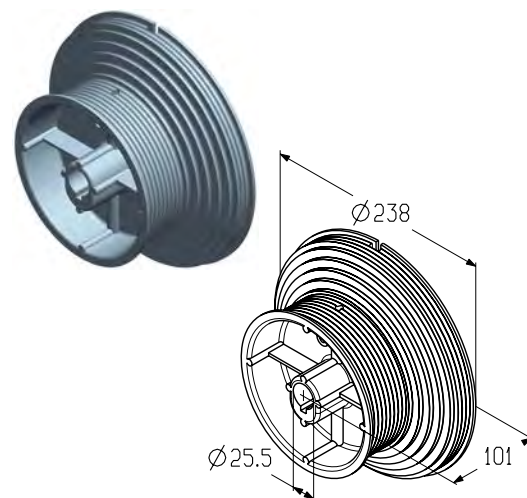
Барабан

Предназначен для крепления троса $\varnothing 3, 4, 5$ мм.
Используется в промышленных воротах высоких и высоких наклонных типов монтажа с одновальным системой балансировки.

Диаметр вала, мм.....	25,4
Мах высота ворот, мм.....	5050
Мах масса полотна ворот, кг.....	500
Мах HL*, мм.....	3050
Материал.....	алюминий
Вес, кг/пара.....	2,9
Единица измерения.....	пара
Норма поставки, пара.....	5

Арт.	Код	Розничная цена, евро с НДС
CD120H	403020500	85,00

* Максимальное расстояние от нижнего края перемычки до нижнего края горизонтальных направляющих.



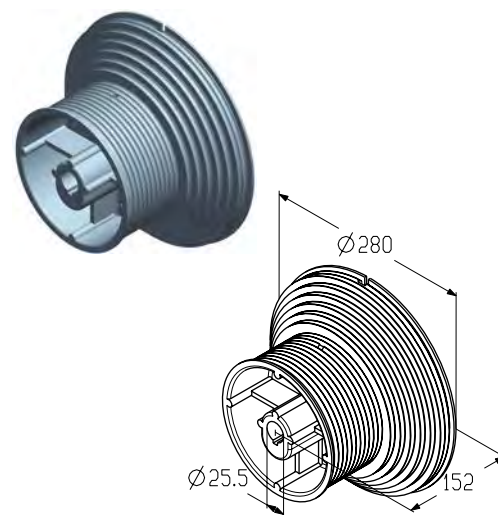
Барабан

Предназначен для крепления троса $\varnothing 3, 4, 5, 6$ мм.
Используется в промышленных воротах высоких и высоких наклонных типов монтажа с одновальным системой балансировки.

Диаметр вала, мм.....	25,4
Мах высота ворот, мм.....	6000
Мах масса полотна ворот, кг.....	650
Мах HL*, мм.....	4100
Материал.....	алюминий
Вес, кг/пара.....	6,5
Единица измерения.....	пара
Норма поставки, пара.....	3

Арт.	Код	Розничная цена, евро с НДС
CD164H	403020600	266,00

* Максимальное расстояние от нижнего края перемычки до нижнего края горизонтальных направляющих.



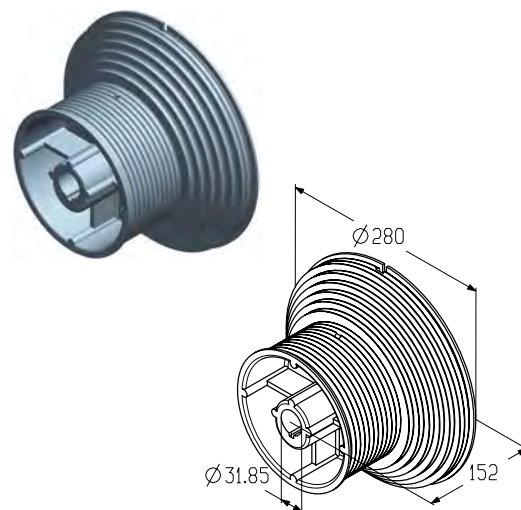
Барабан

Предназначен для крепления троса $\varnothing 3, 4, 5, 6$ мм.
Используется в промышленных воротах высоких и высоких наклонных типов монтажа с одновальным и двухвальным системами балансировки.

Диаметр вала, мм.....	31,75
Мах высота ворот, мм.....	6000
Мах масса полотна ворот, кг.....	650
Мах HL*, мм.....	4100
Материал.....	алюминий
Вес, кг/пара.....	6,5
Единица измерения.....	пара
Норма поставки, пара.....	2

Арт.	Код	Розничная цена, евро с НДС
CD164H-5/4	403030100	266,00

* Максимальное расстояние от нижнего края перемычки до нижнего края горизонтальных направляющих.

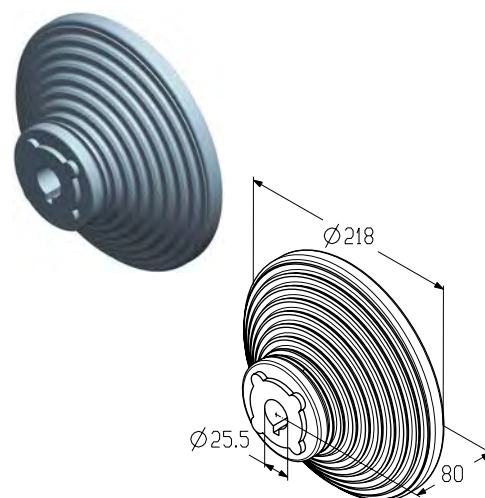


Барaban

Предназначен для крепления троса Ø 3, 4, 5 мм.
 Используется в промышленных воротах вертикальных типов монтажа
 с одновальным системой балансировки.

Диаметр вала, мм.....	25,4
Мах высота ворот, мм.....	3300
Мах масса полотна ворот, кг.....	500
Материал.....	алюминий
Вес, кг/пара.....	1,9
Единица измерения.....	пара
Норма поставки, пара.....	9

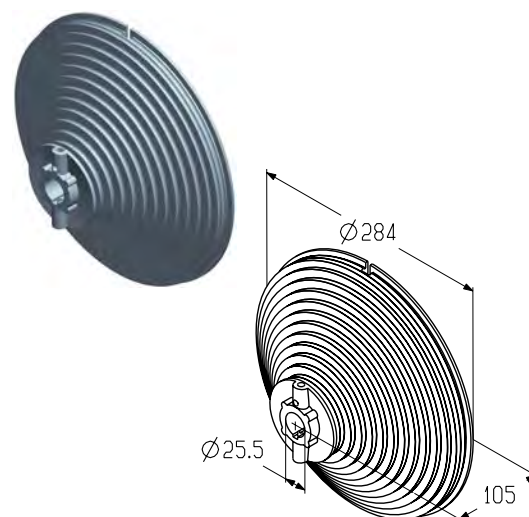
Арт.	Код	Розничная цена, евро с НДС
CD011V	403020700	60,00


Барaban

Предназначен для крепления троса Ø 3, 4, 5 мм.
 Используется в промышленных воротах вертикальных типов монтажа
 с одновальным системой балансировки.

Диаметр вала, мм.....	25,4
Мах высота ворот, мм.....	6000
Мах масса полотна ворот, кг.....	600
Материал.....	алюминий
Вес, кг/пара.....	4
Единица измерения.....	пара
Норма поставки, пара.....	5

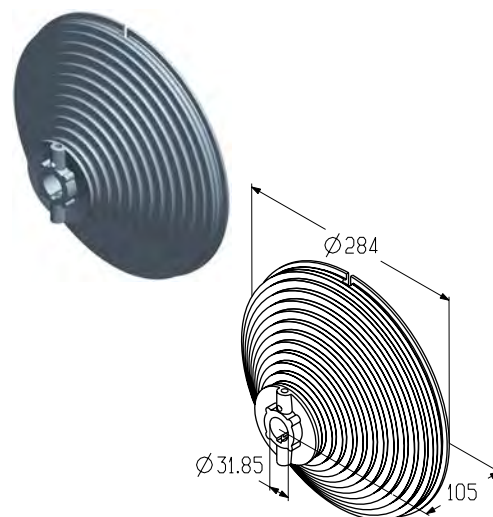
Арт.	Код	Розничная цена, евро с НДС
CD018V	403020800	120,00


Барaban

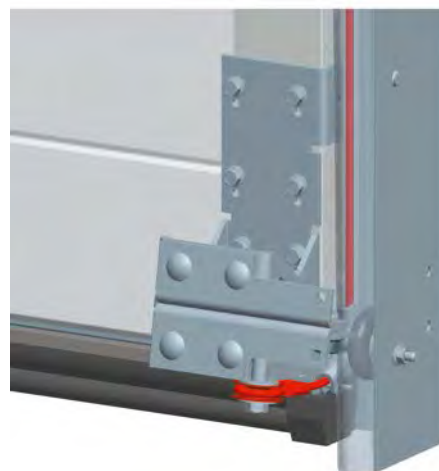
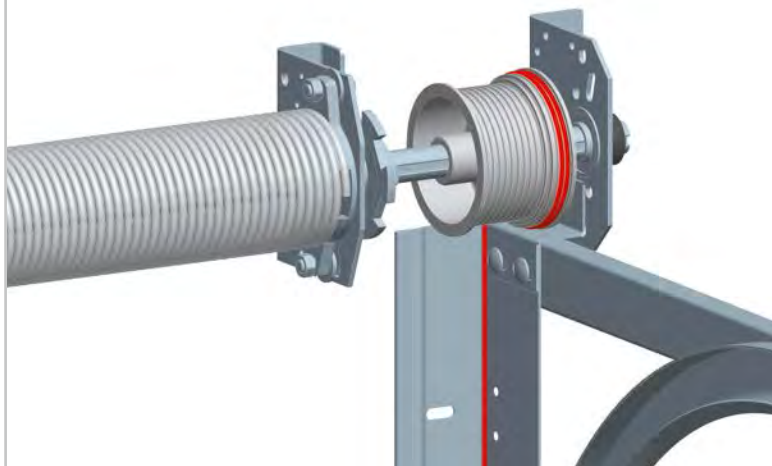
Предназначен для крепления троса Ø 3, 4, 5 мм.
 Используется в промышленных воротах вертикальных типов монтажа
 с одновальным и двухвальным системой балансировки.

Диаметр вала, мм.....	31,75
Мах высота ворот, мм.....	6000
Мах масса полотна ворот, кг.....	600
Материал.....	алюминий
Вес, кг/пара.....	4
Единица измерения.....	пара
Норма поставки, пара.....	4

Арт.	Код	Розничная цена, евро с НДС
CD018V-5/4	403030200	120,00



УСТАНОВКА ТРОСА

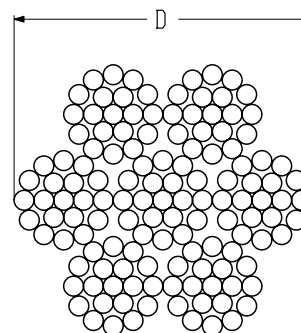


Трос

Предназначен для подъема полотна ворот.

Материал оцинкованная сталь
Единица измерения м
Норма поставки, м 250

Арт.	Код	Диаметр троса, мм	Вес, кг/м	Для ворот с массой полотна	Розничная цена, евро с НДС
CR-3-250	403930000	3	0,032	до 135 кг	0,70
CR-4-250	403930100	4	0,064	от 135 до 200 кг	2,30
CR-5-250	403930200	5	0,090	от 200 до 450 кг	3,00
CR-6-250	403930300	6	0,140	от 450 кг	3,80



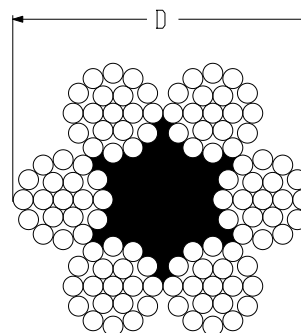
Трос

Предназначен для подъема полотна ворот.

Применяется в гаражных и промышленных воротах низких типов монтажа.

Материал оцинкованная сталь+PVC
Единица измерения м
Норма поставки, м 250

Арт.	Код	Диаметр троса, мм	Вес, кг/м	Для ворот с массой полотна	Розничная цена, евро с НДС
CR-3-250-P	403930800	3	0,055	до 135 кг	1,30
CR-4-250-P	403930900	4	0,086	от 135 до 200 кг	1,50
CR-5-250-P	403931000	5	0,125	от 200 до 450 кг	2,00
CR-6-250-P	403931100	6	0,177	от 450 кг	2,40

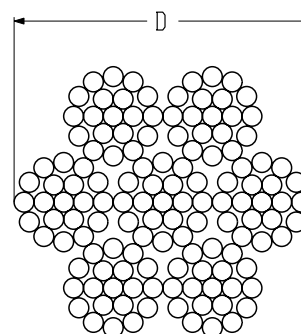


Трос

Предназначен для подъема полотна ворот.

Материал нержавеющая сталь
Единица измерения м
Норма поставки, м 250

Арт.	Код	Диаметр троса, мм	Вес, кг/м	Для ворот с массой полотна	Розничная цена, евро с НДС
CR-3-250-SS	403930400	3	0,036	до 135 кг	4,30
CR-4-250-SS	403930500	4	0,062	от 135 до 200 кг	7,20
CR-5-250-SS	403930600	5	0,102	от 200 до 450 кг	9,40
CR-6-250-SS	403930700	6	0,154	от 450 кг	16,80



Коуш

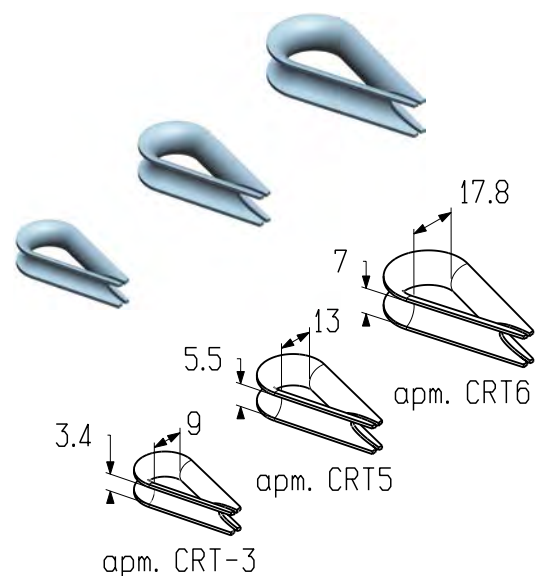
Предназначен для заделки троса.

Материал.....оцинкованная сталь

Единица измеренияшт.

Норма поставки, шт.1000

Арт.	Код	Диаметр троса, мм	Вес, кг/шт.	Розничная цена, евро с НДС
CRT-3	403950000	3	0,002	0,30
CRT-5	403950100	5 и 4	0,005	0,40
CRT-6	403950200	6	0,008	0,50



3.4

Зажим

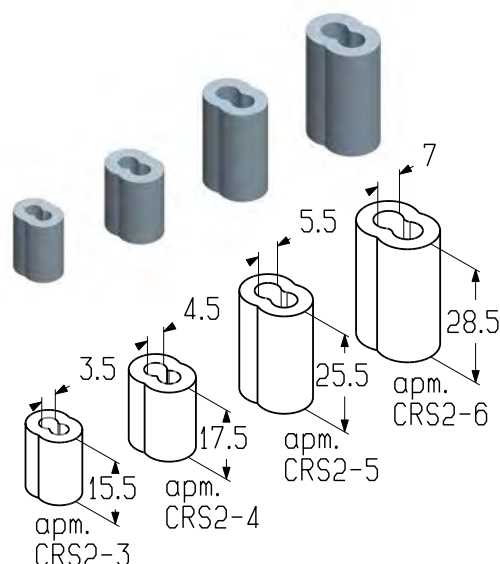
Предназначен для заделки троса.

Материал.....алюминий

Единица измеренияшт.

Норма поставки, шт.1000

Арт.	Код	Диаметр троса, мм	Вес, кг/шт.	Розничная цена, евро с НДС
CRS2-3	403940000	3	0,003	0,25
CRS2-4	403940100	4	0,004	0,30
CRS2-5	403940200	5	0,007	0,50
CRS2-6	403940300	6	0,011	0,80



Зажим

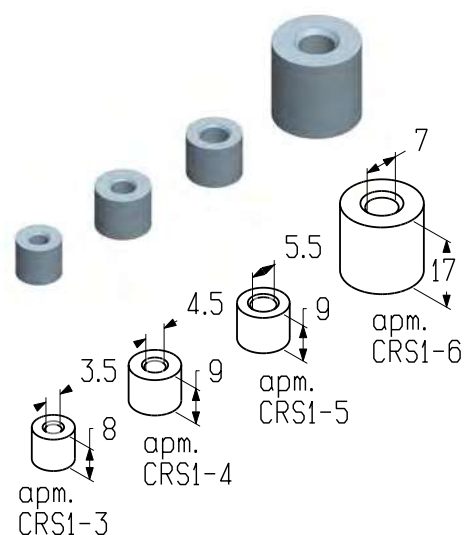
Предназначен для заделки троса.

Материал.....алюминий

Единица измеренияшт.

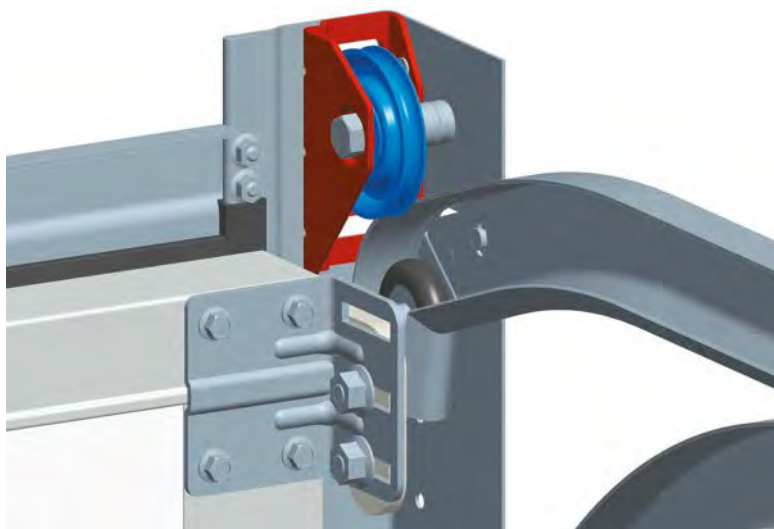
Норма поставки, шт.1000

Арт.	Код	Диаметр троса, мм	Вес, кг/шт.	Розничная цена, евро с НДС
CRS1-3	403940400	3	0,001	0,20
CRS1-4	403940500	4	0,002	0,30
CRS1-5	403940600	5	0,002	0,30
CRS1-6	403940700	6	0,004	0,80



ШКИВЫ И КРОНШТЕЙНЫ ДЛЯ УСТАНОВКИ ТОРСИОННОГО ВАЛА

УСТАНОВКА ШКИВА



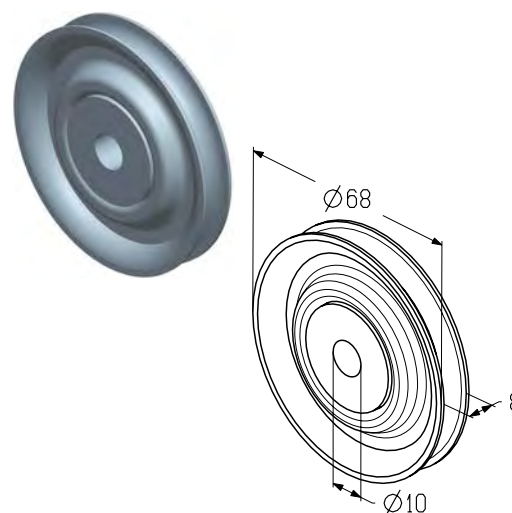
3.4

Шкив

Предназначен для установки троса Ø 3 мм.
Используется в гаражных воротах низкого типа монтажа.

Внешний диаметр, мм68
 Материал.....оцинкованная сталь
 Вес, кг/шт.....0,09
 Единица измеренияшт.
 Норма поставки, шт.....50

Арт.	Код	Розничная цена, евро с НДС
CRP-68	403660000	7,50

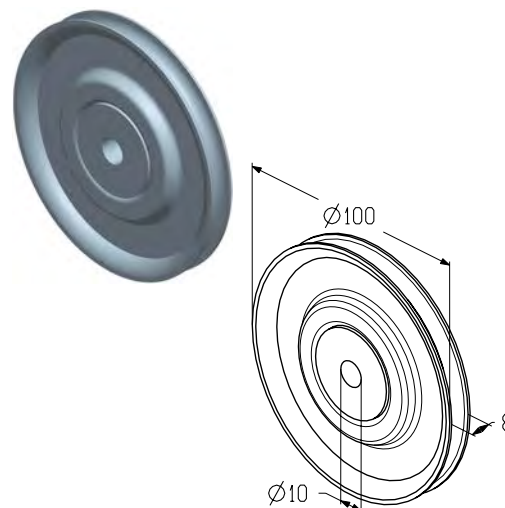


Шкив

Предназначен для установки троса Ø 3, 4, 5 мм.
Используется в промышленных воротах низкого и наклонного низкого типов монтажа с одновальнoй системой балансировки.

Внешний диаметр, мм100
 Материал.....оцинкованная сталь
 Вес, кг/шт.....0,275
 Единица измеренияшт.
 Норма поставки, шт.....50

Арт.	Код	Розничная цена, евро с НДС
CRP-100	403610000	14,00

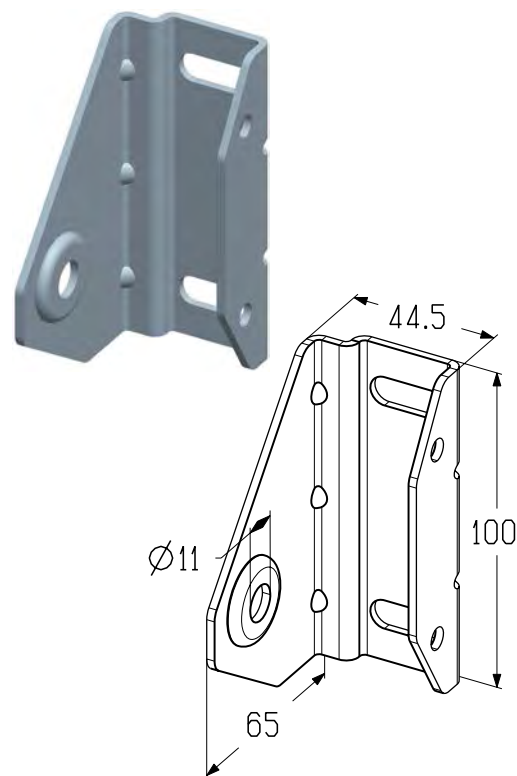


ШКИВЫ И КРОНШТЕЙНЫ ДЛЯ УСТАНОВКИ ТОРСИОННОГО ВАЛА
Кронштейн левый
Кронштейн правый

Предназначен для крепления шкива (CRP-68).
 Используется в гаражных воротах низкого типа монтажа.

Материал.....оцинкованная сталь
 Вес, кг/шт.....0,182
 Единица измеренияшт.
 Норма поставки, шт.....25

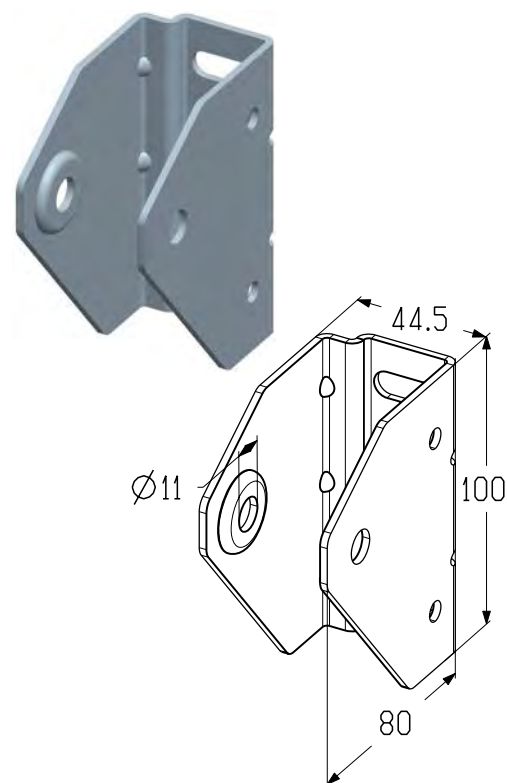
Арт.	Код	Примечание	Розничная цена, евро с НДС
PB-68L	403410000	Левый	4,30
PB-68R	403410100	Правый	4,30


3.4
Кронштейн

Предназначен для крепления шкива (CRP-100).
 Используется в промышленных воротах низкого и наклонного низкого типов монтажа с одновальным системой балансировки.

Материал.....оцинкованная сталь
 Вес, кг/шт.....0,275
 Единица измеренияшт.
 Норма поставки, шт.....25

Арт.	Код	Примечание	Розничная цена, евро с НДС
PB-100L	403410200	Левый	6,70
PB-100R	403410300	Правый	6,70



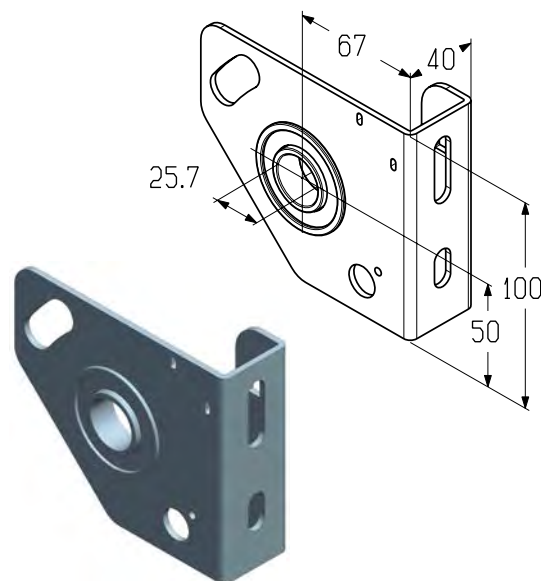
ШКИВЫ И КРОНШТЕЙНЫ ДЛЯ УСТАНОВКИ ТОРСИОННОГО ВАЛА

Кронштейн промежуточный

Предназначен для установки торсионного вала диаметром 25,4 мм.
Используется в гаражных воротах стандартного и низкого типов монтажа.

Материал оцинкованная сталь
Вес, кг/шт. 0,41
Единица измерения шт.
Норма поставки, шт. 70

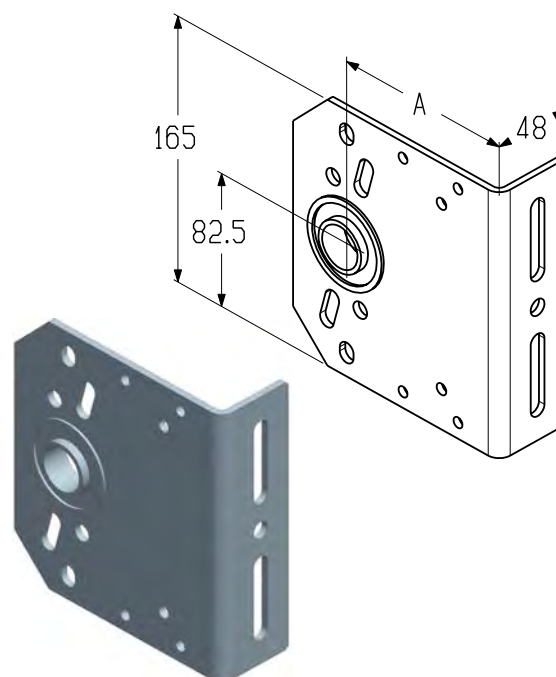
Арт.	Код	Примечание	Розничная цена, евро с НДС
IB-67L	403430000	Левый	8,00
IB-67R	403430100	Правый	8,00



Кронштейн промежуточный

Предназначен для установки торсионного вала.
Используется:
• в гаражных воротах высокого типа монтажа;
• в промышленных воротах всех типов монтажа.

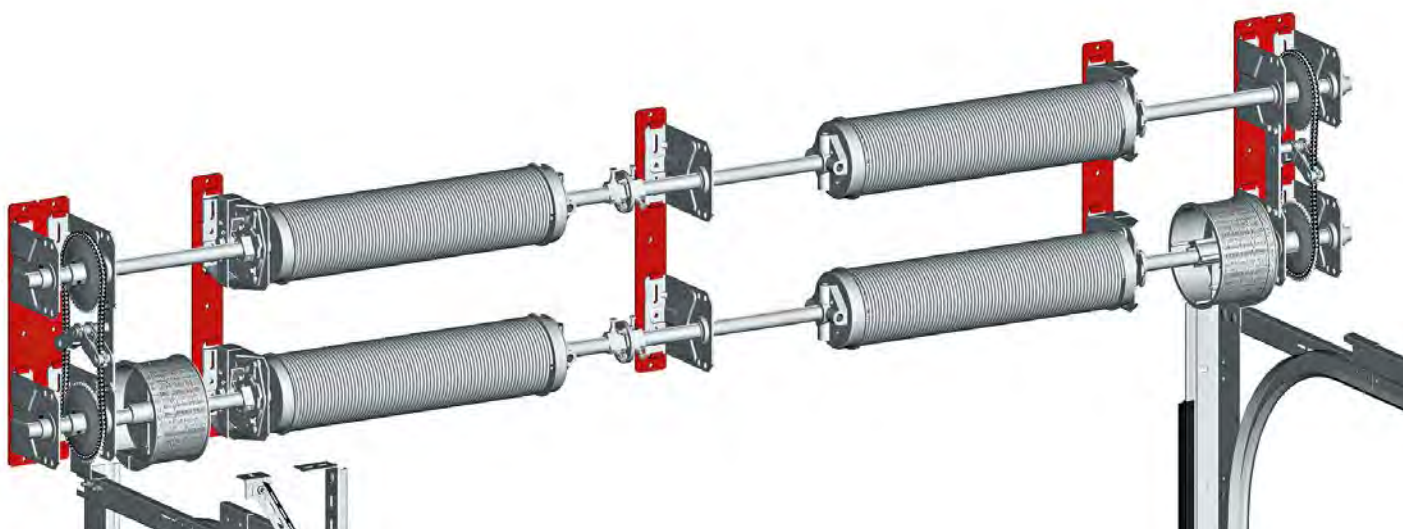
Материал оцинкованная сталь
Единица измерения шт.
Норма поставки, шт. 20



Арт.	Код	Размер (А*), мм	Диаметр вала, мм	Примечание	Вес, кг/шт.	Розничная цена, евро с НДС
IB-86	403430200	86	25,40	Одновальная система балансировки	0,948	9,90
IB-111	403430300	111	25,40		0,782	10,10
IB-127	403430400	127	25,40		0,990	11,80
IB-152	403430500	152	25,40		1,098	13,20
IB-152-5/4	403430600	152	31,75	Двухвальная система балансировки	1,248	27,10

* Расстояние от стены до оси вала.

УСТАНОВКА ПЛАСТИНЫ МОНТАЖНОЙ



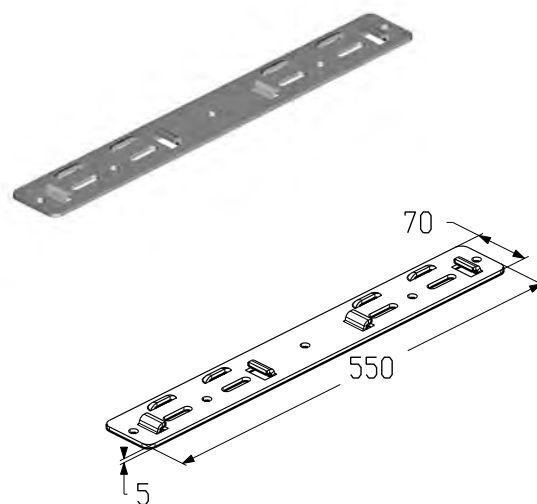
3.4

Пластина монтажная

Предназначена для крепления муфты предохранительной храповой (SBD-TSS5/4L/R), кронштейна промежуточного (IB-152-5/4) к стене. Используется в промышленных воротах всех типов монтажа с верхним расположением вала с двухвальной системой балансировки.

Материал оцинкованная сталь
 Вес, кг/шт..... 1,44
 Единица измерения шт.
 Норма поставки, шт. 16

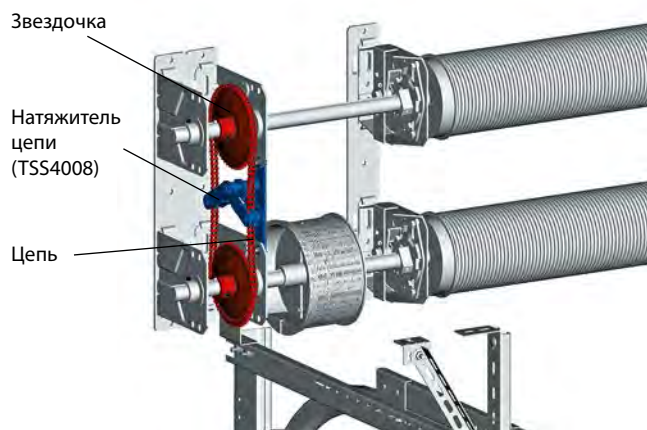
Арт.	Код	Розничная цена, евро с НДС
TSS4004	403901100	26,50



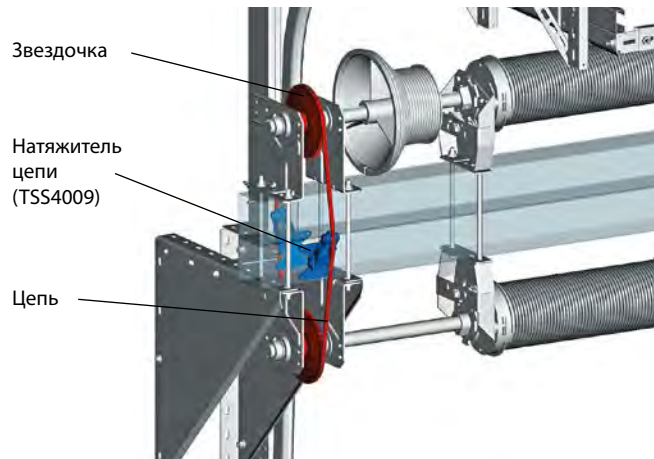
ШКИВЫ И КРОНШТЕЙНЫ ДЛЯ УСТАНОВКИ ТОРСИОННОГО ВАЛА

УСТАНОВКА ЗВЕЗДОЧКИ, ЦЕПИ И НАТЯЖИТЕЛЯ ЦЕПИ

Верхнее расположение вала



Нижнее расположение вала

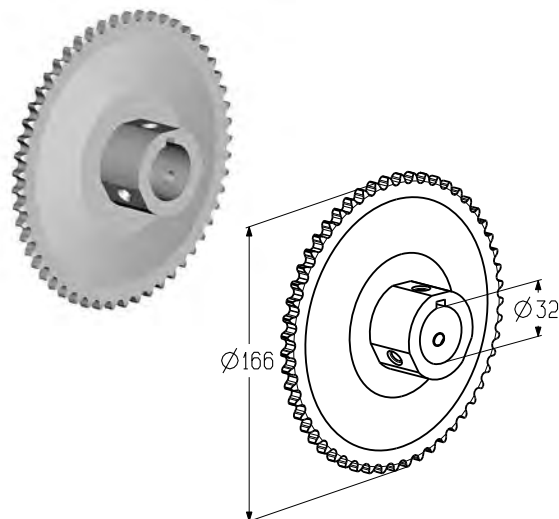


Звездочка

Предназначена для передачи крутящего момента между двумя валами. Используется в промышленных воротах всех типов монтажа с двухвальной системой балансировки.

Материал оксидированная сталь
Вес, кг/шт..... 2,1
Единица измерения шт.
Норма поставки, шт. 168

Арт.	Код	Розничная цена, евро с НДС
TSS4005	403901200	67,00



Цепь

Предназначена для передачи крутящего момента между двумя валами. Используется в промышленных воротах всех типов монтажа с двухвальной системой балансировки.

Материал оцинкованная сталь
Единица измерения шт.



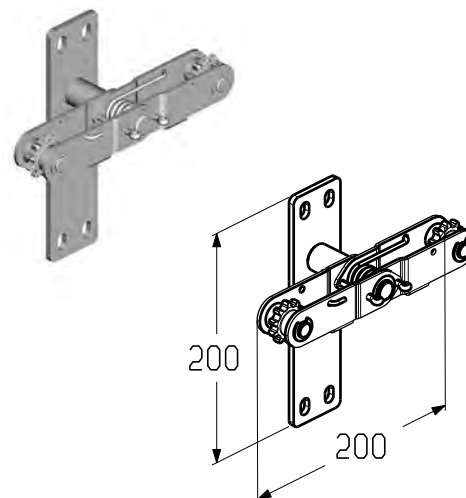
Арт.	Код	Диаметр вала, мм	Примечание	Вес, кг/шт.	Норма поставки, шт.	Розничная цена, евро с НДС
TSS4006	403901300	1133	С верхним расположением вала	0,3	50	27,00
TSS4007	403901400	1514	С нижним расположением вала	0,4	40	36,00

ШКИВЫ И КРОНШТЕЙНЫ ДЛЯ УСТАНОВКИ ТОРСИОННОГО ВАЛА
Натяжитель цепи

Предназначен для натяжения цепи (TSS4006, TSS4007).
 Используется в промышленных воротах стандартного, наклонного, высокого, вертикального, наклонного высокого типов монтажа с верхним расположением вала с двухвальной системой балансировки.

Вес, кг/шт..... 1,05
 Единица измерения шт.
 Норма поставки, шт. 21

Арт.	Код	Розничная цена, евро с НДС
TSS4008	403901500	42,00



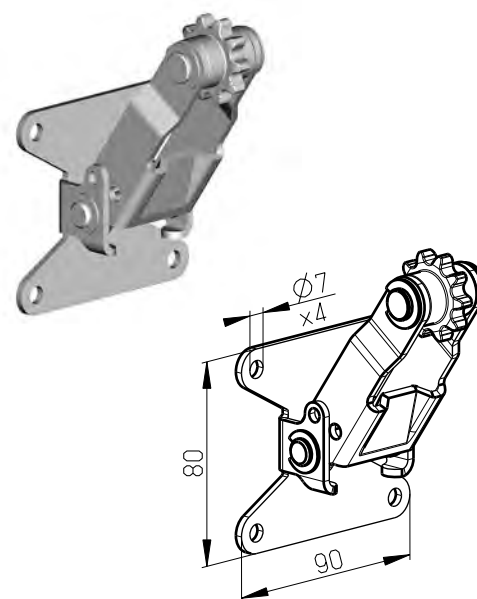
3.4

Натяжитель цепи

Предназначен для натяжения цепи (TSS4006, TSS4007).
 Используется в промышленных воротах высокого, наклонного высокого и вертикального типов монтажа с низким расположением вала с двухвальной системой балансировки.

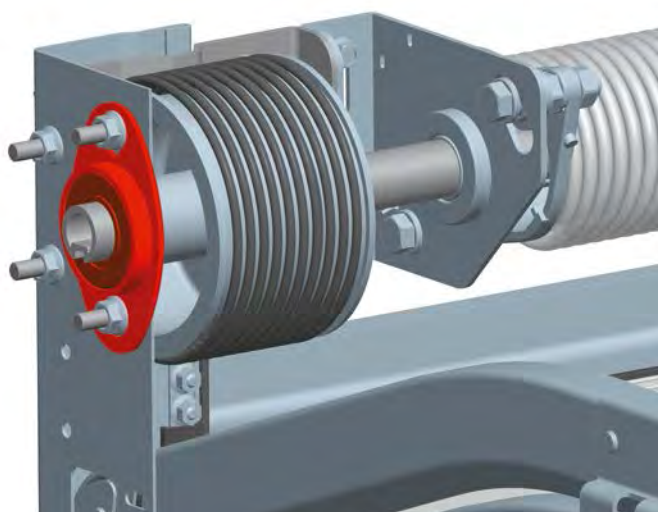
Вес, кг/шт..... 0,39
 Единица измерения шт.
 Норма поставки, шт. 56

Арт.	Код	Розничная цена, евро с НДС
TSS4009	403901600	21,00



ШКИВЫ И КРОНШТЕЙНЫ ДЛЯ УСТАНОВКИ ТОРСИОННОГО ВАЛА

УСТАНОВКА ПОДШИПНИКА

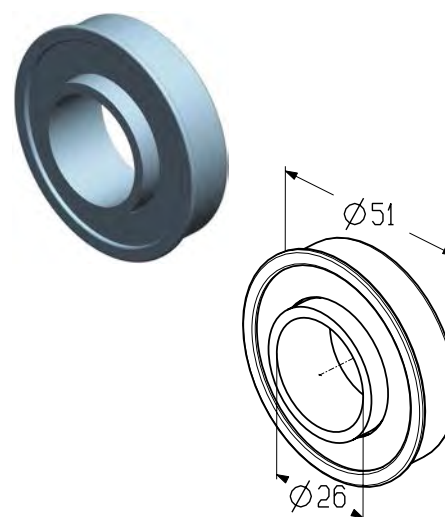


Подшипник

Предназначен для установки совместно с корпусом подшипника (BR0400).
Используется в гаражных воротах стандартного типа монтажа.

Вес, кг/шт.....0,112
Единица измеренияшт.
Норма поставки, шт. 200

Арт.	Код	Розничная цена, евро с НДС
ВВ0401	403910000	3,00

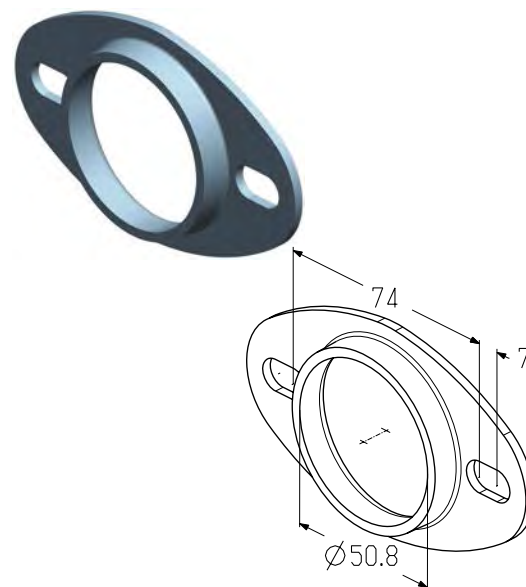


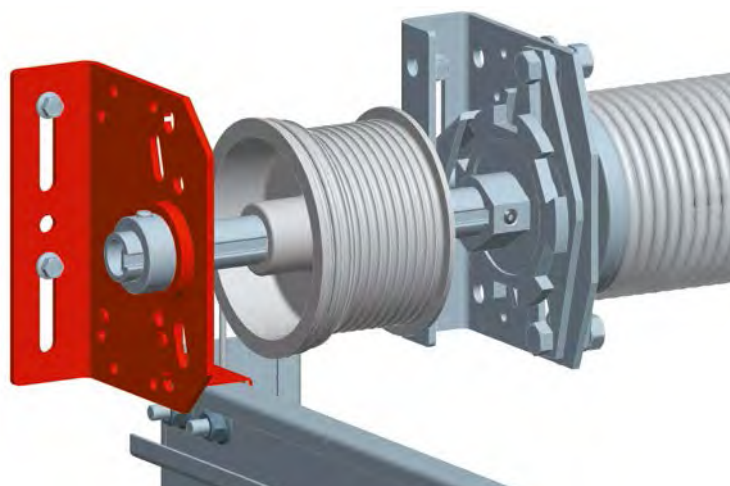
Корпус подшипника

Предназначен для установки совместно с подшипником (ВВ0401).
Используется в гаражных воротах стандартного типа монтажа.

Материал.....оцинкованная сталь
Вес, кг/шт.....0,118
Единица измеренияшт.
Норма поставки, шт. 200

Арт.	Код	Розничная цена, евро с НДС
BR0400	403920000	2,60



ШКИВЫ И КРОНШТЕЙНЫ ДЛЯ УСТАНОВКИ ТОРСИОННОГО ВАЛА
УСТАНОВКА КРОНШТЕЙНА БОКОВОГО


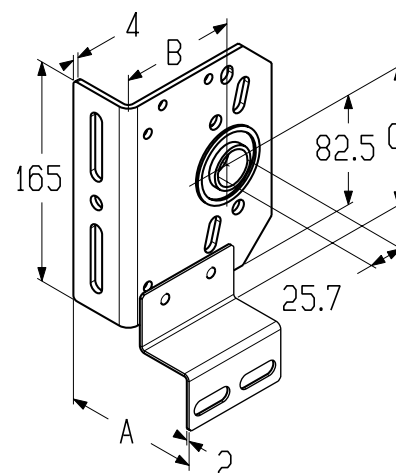
3.4

Кронштейн боковой левый
Кронштейн боковой правый

Предназначен для крепления торсионного вала к проему и профилю угловому.

Применяется для промышленных ворот с одновальным системой балансировки.

Диаметр вала, мм.....25,4
 Материал.....оцинкованная сталь
 Единица измерения шт.
 Норма поставки, шт. 15

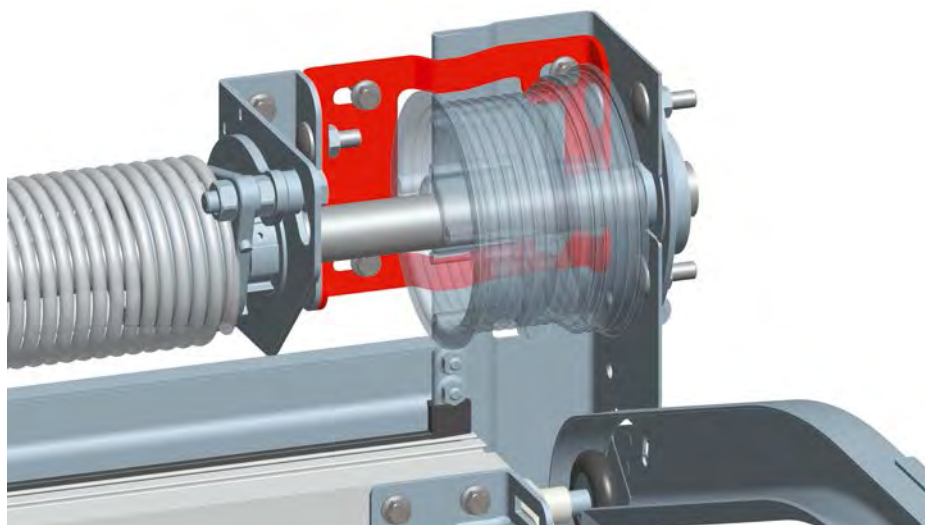


Арт.	Код	Основные размеры, мм			Диаметр вала, мм	Вес, кг/шт.	Розничная цена, евро с НДС	Примечание
		А	В*	С				
TBI510L	403420300	91	86	72,5	25,4	0,963	11,00	Для промышленных ворот стандартного и наклонного типов монтажа.
TBI510R	403420400							
TBI520L	403420500	91	111	72,5	25,4	1,082	11,00	
TBI520R	403420600							
TBI530L	403420700	91	111	82,5	25,4	1,082	11,00	
TBI530R	403420800							
TBI560L	403420900	91	127	142,5	25,4	1,242	12,00	
TBI560R	403421000							
TBI580L	403422300	91	127	142,5	31,75	1,380	26,00	
TBI580R	403422400							
TBI540L	403421100	91	111	105,5	25,4	1,080	11,00	• для гаражных ворот высокого типа монтажа; • для промышленных ворот стандартного, наклонного типов монтажа, наклонного высокого с верхним расположением вала, высокого с верхним расположением вала типов монтажа
TBI540R	403421200							
TBI550L	403421300	111	127	124,5	25,4	1,230	12,00	• для гаражных ворот высокого типа монтажа; • для промышленных ворот высокого, наклонного высокого, вертикального типов монтажа с верхним расположением вала
TBI550R	403421400							
TBI570L	403421500	126	152	144,5	25,4	1,410	13,30	• для промышленных ворот высокого, наклонного высокого, вертикального типов монтажа с верхним расположением вала.
TBI570R	403421600							
TBI590L	403422500	126	152	144,5	31,75	1,420	24,50	
TBI590R	403422600							

* Расстояние от стены до оси вала.

ШКИВЫ И КРОНШТЕЙНЫ ДЛЯ УСТАНОВКИ ТОРСИОННОГО ВАЛА

УСТАНОВКА КРОНШТЕЙНА

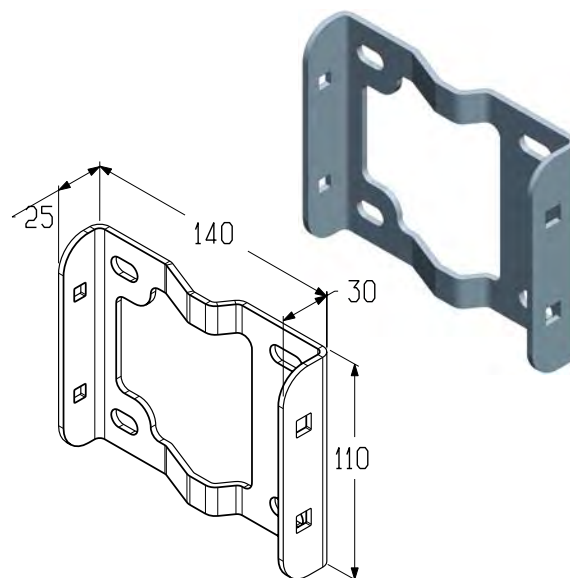


Кронштейн

Предназначен для соединения предохранительной храповой муфты (SBD-51L/R, SBD-67L/R) и профиля углового (PRG02NL/R).
Используется в гаражных воротах стандартного типа монтажа.

Материал оцинкованная сталь
Вес, кг/шт. 0,36
Единица измерения шт.
Норма поставки, шт. 90

Арт.	Код	Розничная цена, евро с НДС
TBG815	403430700	6,60



УСТАНОВКА КРОНШТЕЙНА

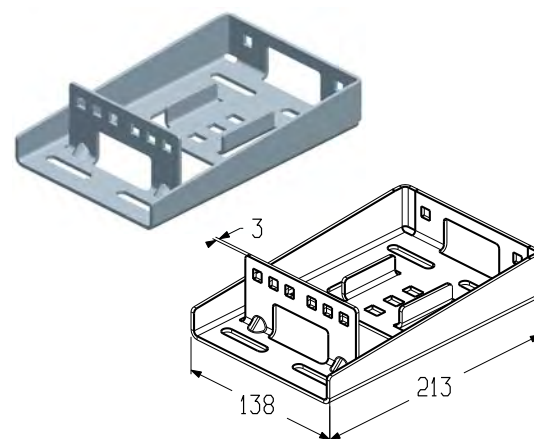


Кронштейн

Предназначен для крепления горизонтальных направляющих с мерной планкой и для крепления торсионного вала.
Используется в промышленных и воротах низкого и наклонного низкого типов монтажа с одновальным системой балансировки.

Материал оцинкованная сталь
Вес, кг/шт. 1,00
Единица измерения шт.
Норма поставки, шт. 18

Арт.	Код	Розничная цена, евро с НДС
ТВ1915	403422700	12,00

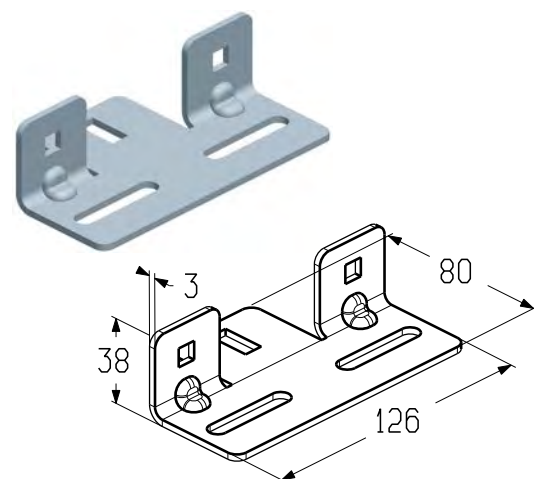


Кронштейн

Предназначен для крепления бокового кронштейна и телескопического подвеса к мерной планке.
Используется в промышленных и воротах низкого и наклонного низкого типов монтажа с одновальным системой балансировки.

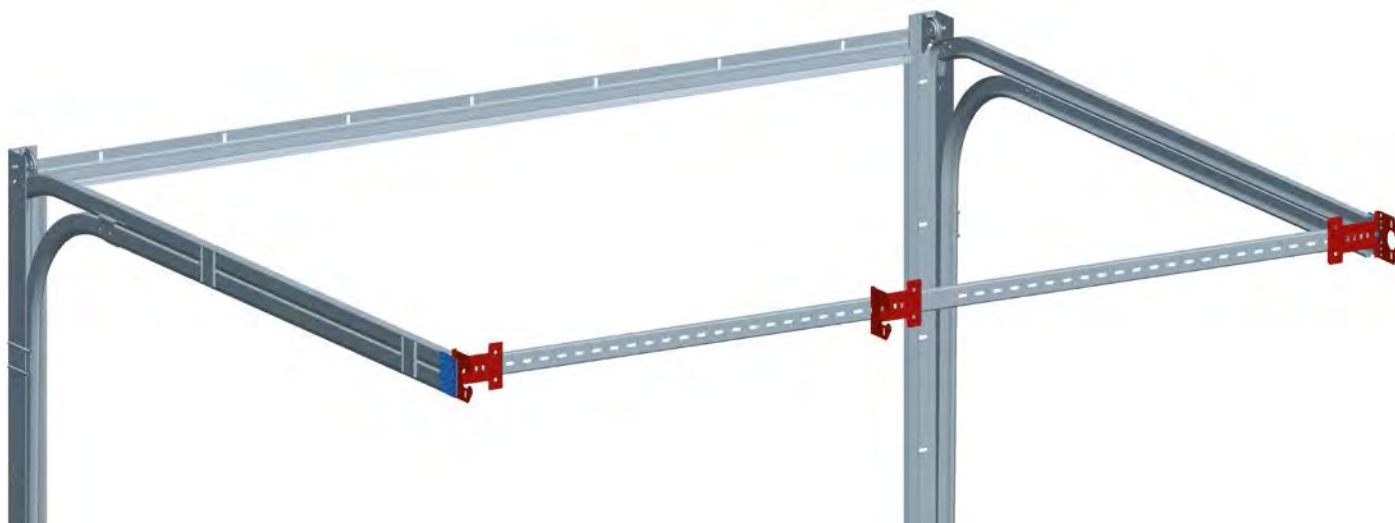
Материал оцинкованная сталь
Вес, кг/шт. 0,2
Единица измерения шт.
Норма поставки, шт. 120

Арт.	Код	Розничная цена, евро с НДС
ТВ1925	403422800	2,50



ШКИВЫ И КРОНШТЕЙНЫ ДЛЯ УСТАНОВКИ ТОРСИОННОГО ВАЛА

УСТАНОВКА КРОНШТЕЙНА И ПЛАСТИНЫ

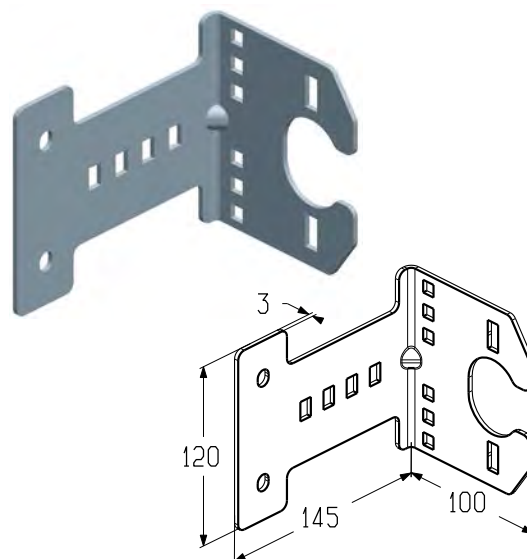


Кронштейн

Предназначен для крепления торсионного вала к мерной планке.
Используется в гаражных воротах низкого типа монтажа.

Материал оцинкованная сталь
Вес, кг/шт. 0,461
Единица измерения шт.
Норма поставки, шт. 39

Арт.	Код	Розничная цена, евро с НДС
TBG916	403490000	8,00

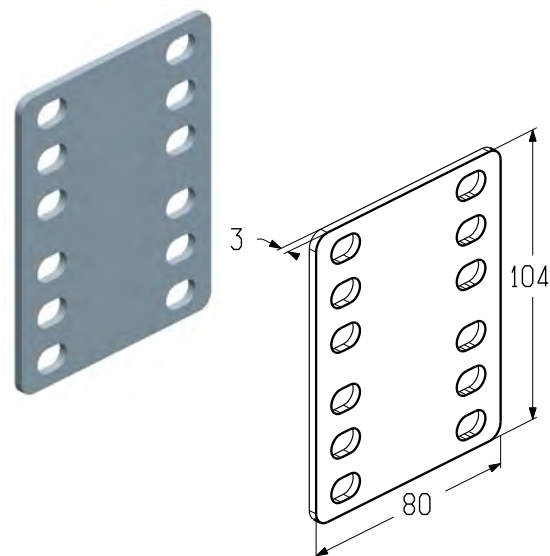


Пластина

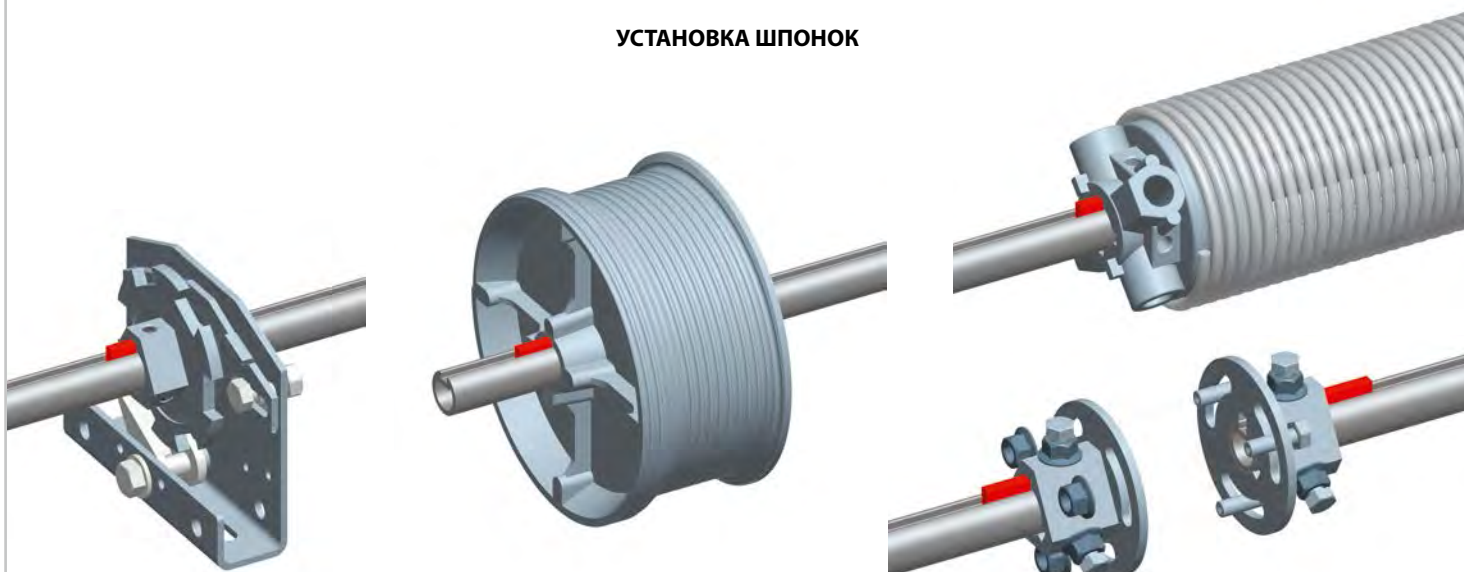
Предназначена для крепления кронштейна TBG916 к горизонтальной направляющей.
Используется в гаражных воротах низкого типа монтажа.

Материал оцинкованная сталь
Вес, кг/шт. 0,182
Единица измерения шт.
Норма поставки, шт. 100

Арт.	Код	Розничная цена, евро с НДС
MS917	403490100	3,10



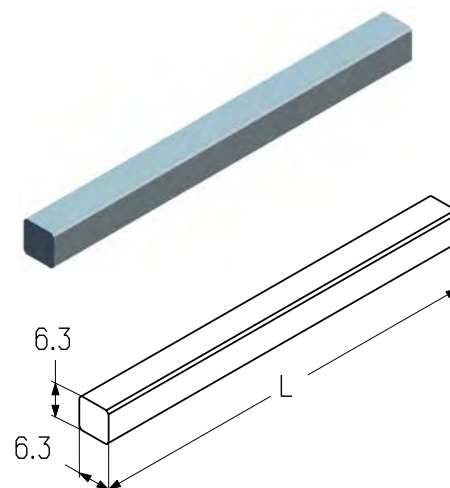
3.4

УСТАНОВКА ШПОНОК

Шпонка

Предназначена для установки на вал сплошной (TSS, TSS-5/4).

Материал оцинкованная сталь
 Единица измерения шт.

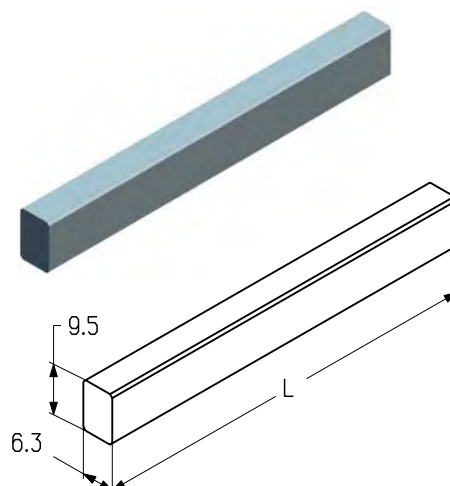
Арт.	Код	Длина, мм	Вес, кг/шт.	Применение	Норма поставки, шт.	Розничная цена, евро с НДС
SKS-38	403970000	38	0,015	Устанавливается в храповую и соединительную муфты	1000	0,60
SKS-75	403970100	75	0,026	Устанавливается в барабан и наконечник пружинный (SF-95, SP-152, SP-152-5/4)	800	0,60


Шпонка

Предназначена для установки на вал пустотелый (TSH).

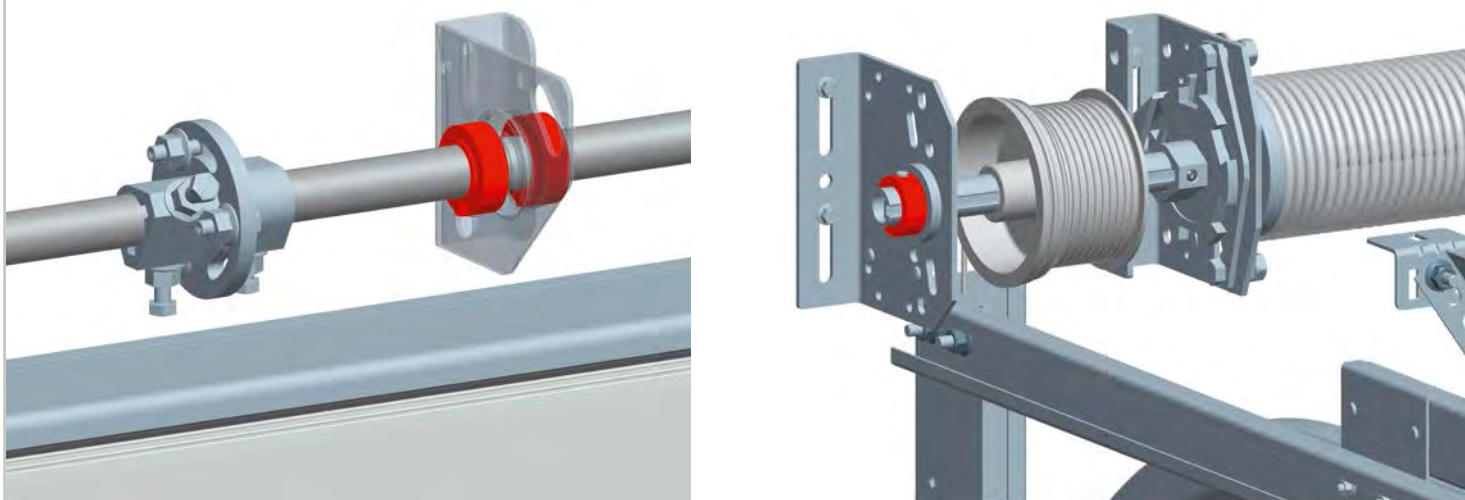
Материал оцинкованная сталь
 Единица измерения шт.

Арт.	Код	Длина, мм	Вес, кг/шт.	Применение	Норма поставки, шт.	Розничная цена, евро с НДС
SKH-38	403970200	38	0,18	Устанавливается в храповую и соединительную муфты	1200	1,10
SKH-75	403970300	75	0,21	Устанавливается в барабан и наконечник пружинный (SF-95, SP-152, SP-152-5/4)	600	1,10



ШПОНКИ И КОЛЬЦА СТОПОРНЫЕ

УСТАНОВКА КОЛЕЦ

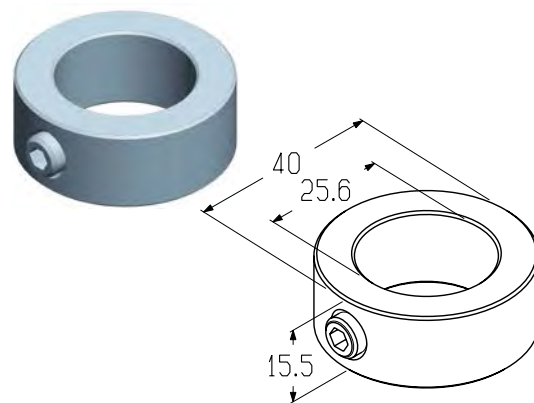


Кольцо

Предназначено для установки на вал диаметром 25,4 мм промышленных ворот всех типов монтажа с одновальной системой балансировки. Предотвращает осевое смещение вала.

Материал оцинкованная сталь
 Вес, кг/шт. 0,1
 Единица измерения шт.
 Норма поставки, шт. 200

Арт.	Код	Розничная цена, евро с НДС
SCI-1	403960000	2,50

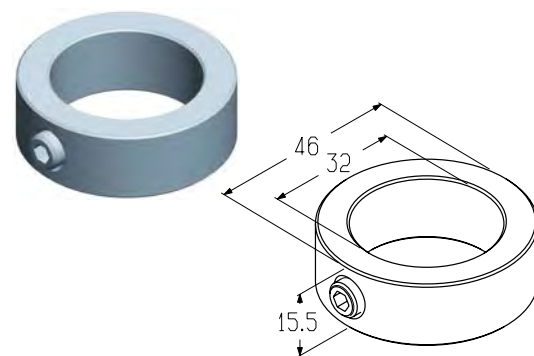


Кольцо

Предназначено для установки на вал диаметром 31,75 мм промышленных ворот всех типов монтажа с одновальной и двухвальной системами балансировки. Предотвращает осевое смещение вала.

Материал оцинкованная сталь
 Вес, кг/шт. 0,15
 Единица измерения шт.
 Норма поставки, шт. 100

Арт.	Код	Розничная цена, евро с НДС
SCI-5/4	403960100	3,30

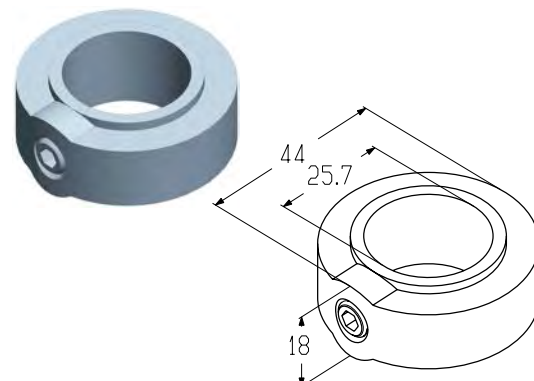


Кольцо

Предназначено для установки на вал диаметром 25,4 мм гаражных ворот всех типов монтажа. Предотвращает осевое смещение вала.

Материал нейлон
 Вес, кг/шт. 0,1
 Единица измерения шт.
 Норма поставки, шт. 200

Арт.	Код	Розничная цена, евро с НДС
SCG-1	403960200	1,50





**СЕКЦИОННЫЕ ГАРАЖНЫЕ ВОРОТА
СЕРИИ CLASSIC
С ПРУЖИНАМИ РАСТЯЖЕНИЯ**

КОНСТРУКЦИЯ СЕКЦИОННЫХ ГАРАЖНЫХ ВОРОТ СЕРИИ CLASSIC


4

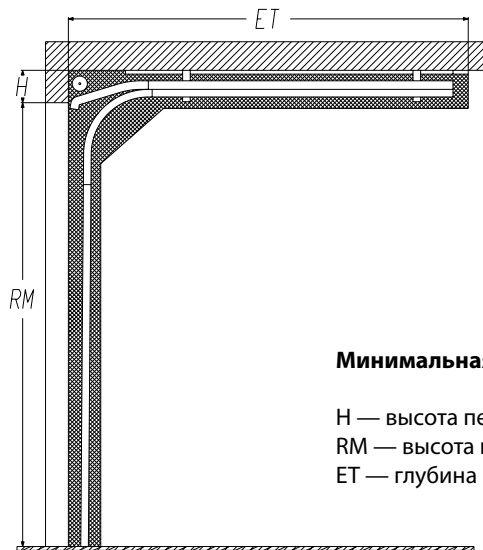
Секционные ворота АЛЮТЕХ соответствуют требованиям Европейских стандартов безопасности EN 12604 и EN 12453.

№	Наименование
Полотно ворот	
1	Сэндвич-панель
2	Накладка боковая
3	Кронштейн верхний
4	Кронштейн боковой
5	Кронштейн нижний
6	Петля промежуточная
7	Профиль концевой (верхний)
8	Вставка уплотнительная (нижняя)
9	Ручка
10	Засов
Системы направляющих и подвеса	
11	Профиль угловой
12	Профиль передний (нащельник)
13	Вставка уплотнительная

№	Наименование
14	Профиль направляющий
15	Элемент радиусный
16	Узел направляющий передний
17	C-профиль
18	Пластины соединительные
19	Кронштейн мерной планки
20	Телескопический подвес
21	Кронштейн
22	Ограничитель
Система балансировки	
23	Узел верхний
24	Пластина
25	Фиксатор
26	Кронштейн
27	Внутренняя и наружная пружина

КОНСТРУКЦИЯ СЕКЦИОННЫХ ГАРАЖНЫХ ВОРОТ СЕРИИ CLASSIC

МОНТАЖНАЯ СХЕМА СЕКЦИОННЫХ ГАРАЖНЫХ ВОРОТ СЕРИИ CLASSIC С ПРУЖИНАМИ РАСТЯЖЕНИЯ



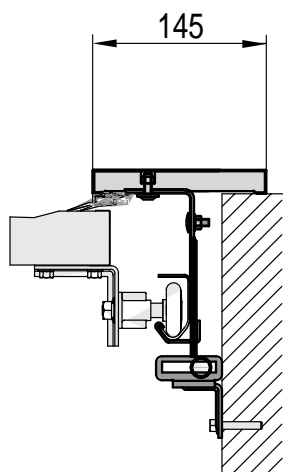
Минимальная высота перемычки (H) — 100 мм

H — высота перемычки, мм

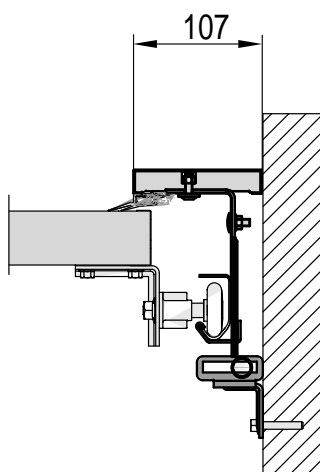
RM — высота проема, мм

ET — глубина вхождения ворот внутрь помещения, мм

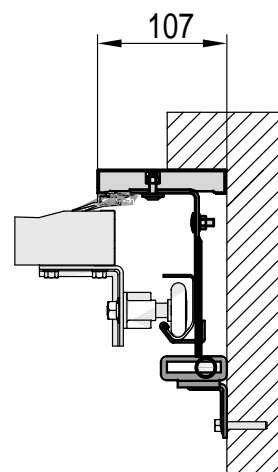
ВСТРОЕННЫЙ МОНТАЖ ГАРАЖНЫХ ВОРОТ СЕРИИ CLASSIC



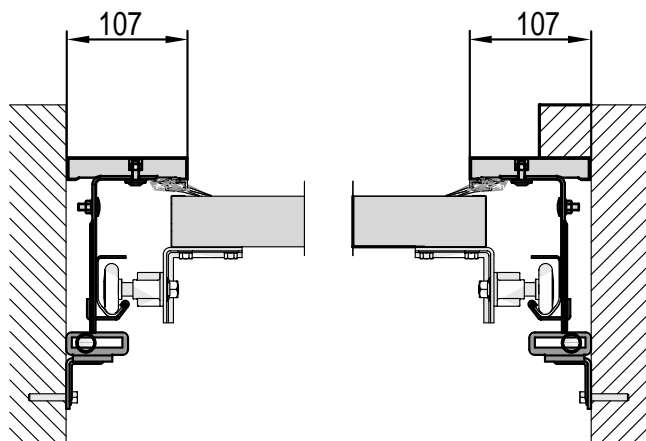
Монтаж перед проемом
Комплект FWO145



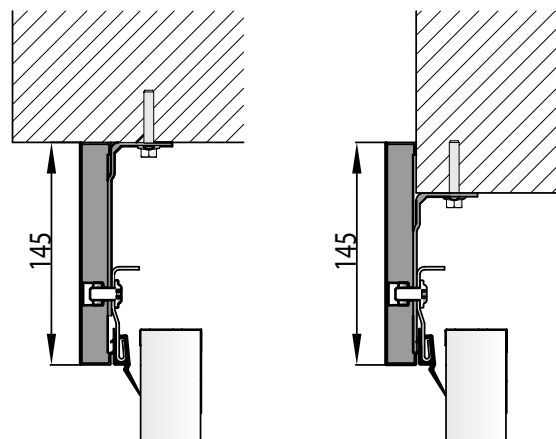
Монтаж в проеме
Комплект FWO100



Монтаж за проемом
Комплект FWO100



Комбинированный монтаж
Комплект FWO145



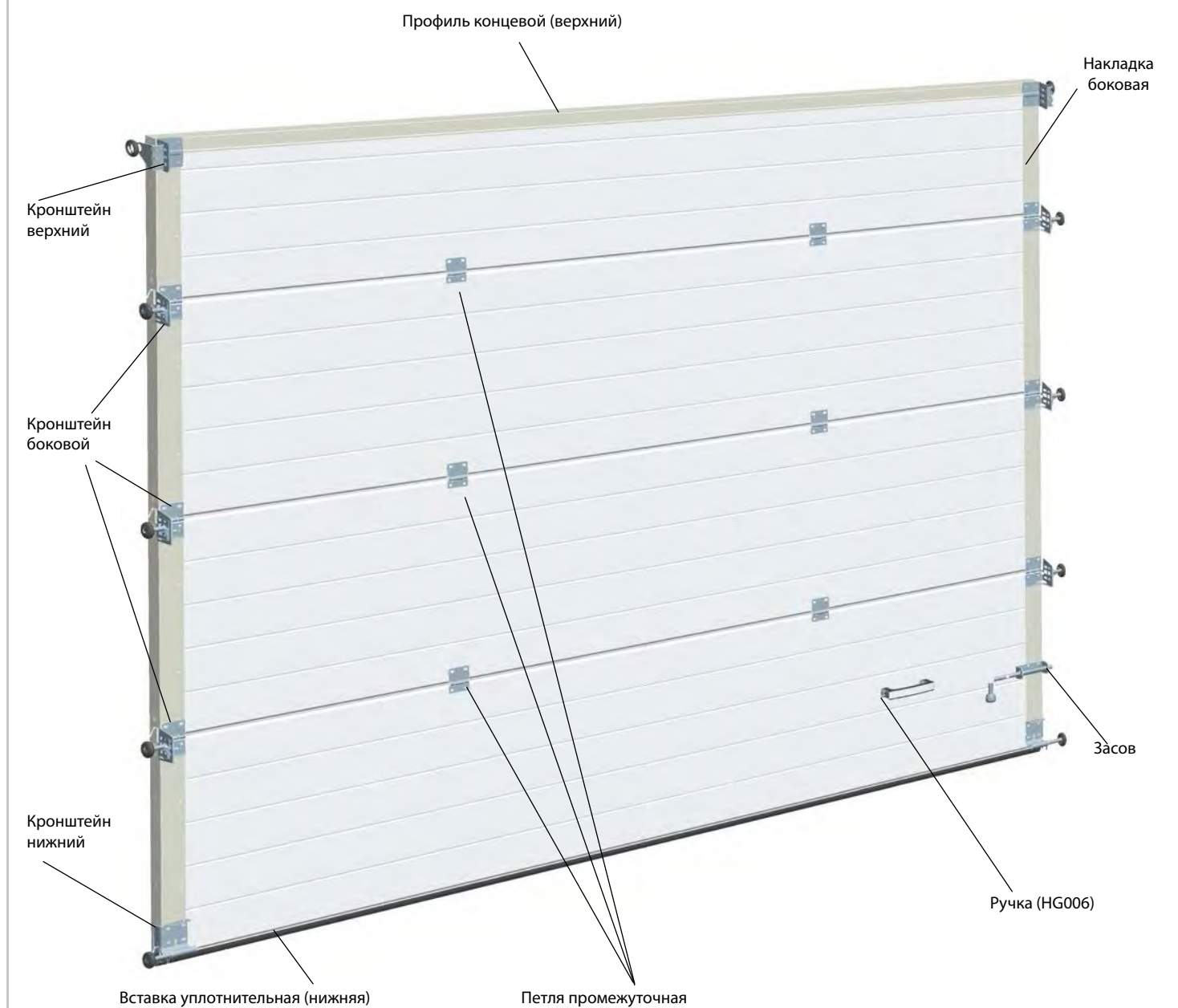
Установка декоративного нащельника



ПОЛОТНО ВОРОТ

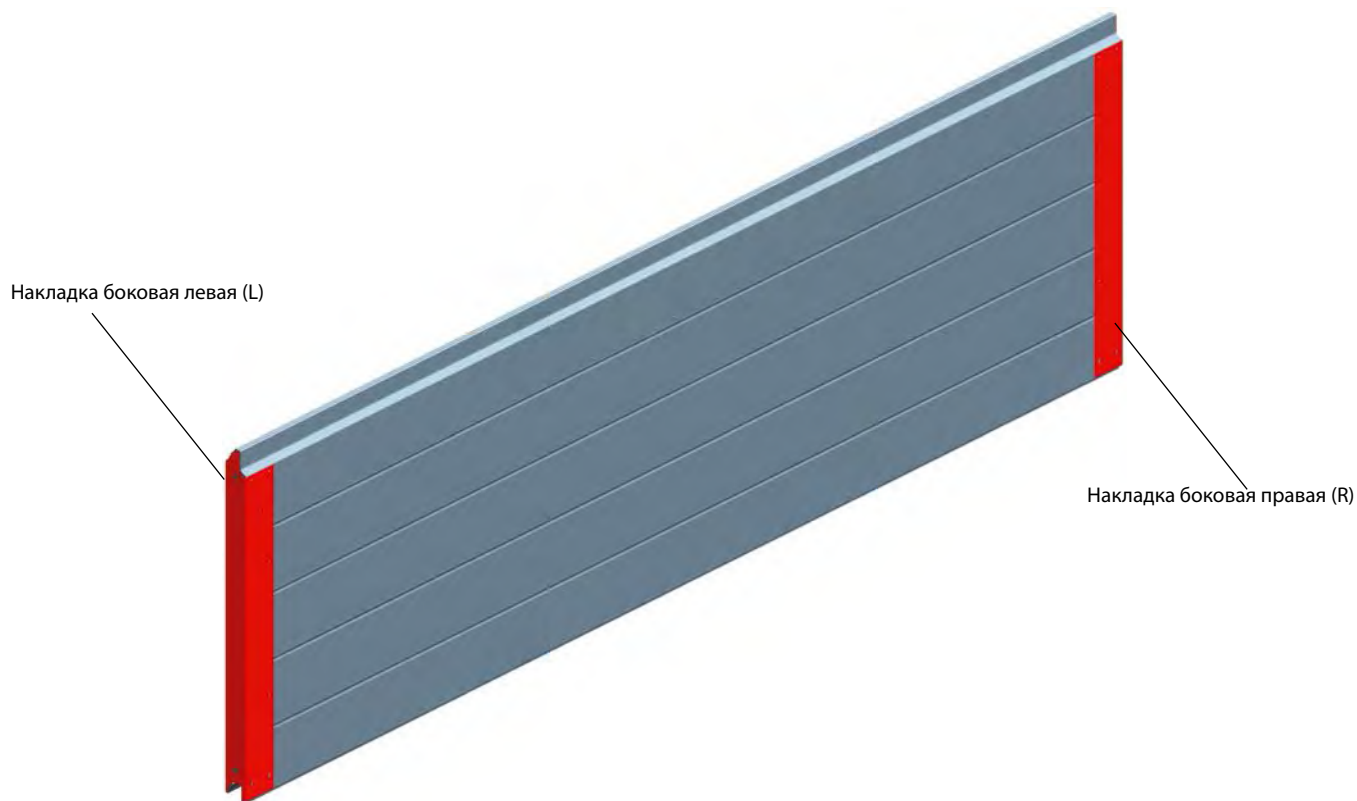
ТИПОВАЯ КОНСТРУКЦИЯ ПОЛОТНА ГАРАЖНЫХ ВОРОТ СЕРИИ CLASSIC

4.1



УСТАНОВКА НАКЛАДОК БОКОВЫХ

4.1

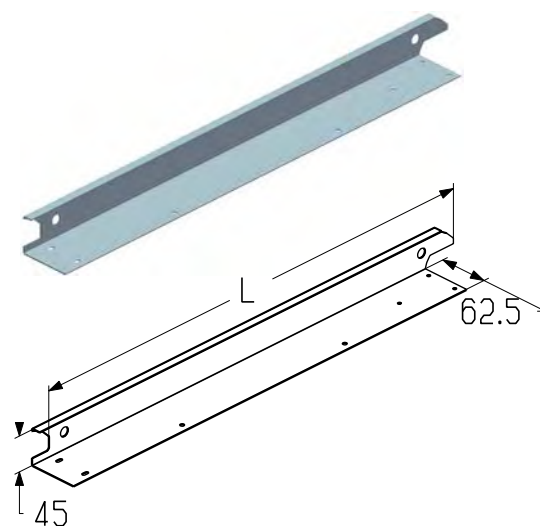


Накладка боковая

Предназначена для установки на торцы сэндвич-панели.

Толщина, мм 0,6
 Материал оцинкованная сталь
 Покрытие полимерное
 Цвет бело-серый (близкий RAL9002)
 Единица измерения шт.

Арт.	Код	Длина (L), мм	Вес, кг/шт.	Норма поставки	Розничная цена, евро с НДС
ECS-500L	401340310	500	0,27	64	2,40
ECS-500R	401340410	500	0,27	64	2,40
ECS-625L	401390310	625	0,34	52	2,80
ECS-625R	401390410	625	0,34	52	2,80

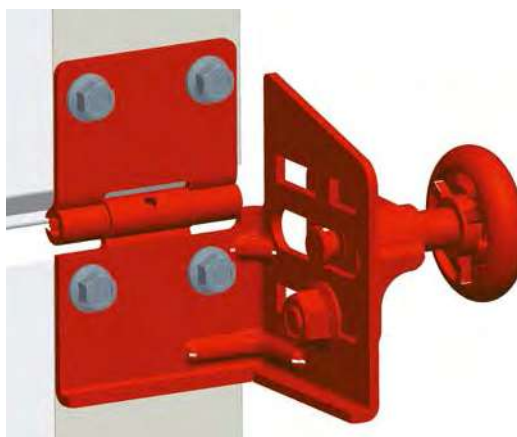


УСТАНОВКА РОЛИКОВЫХ КРОНШТЕЙНОВ

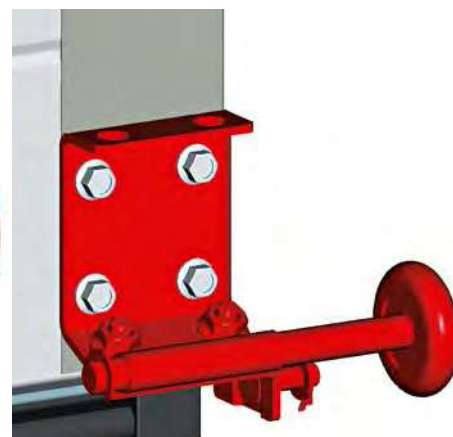
Кронштейн верхний



Кронштейн боковой



Кронштейн нижний



4.1

Кронштейн верхний

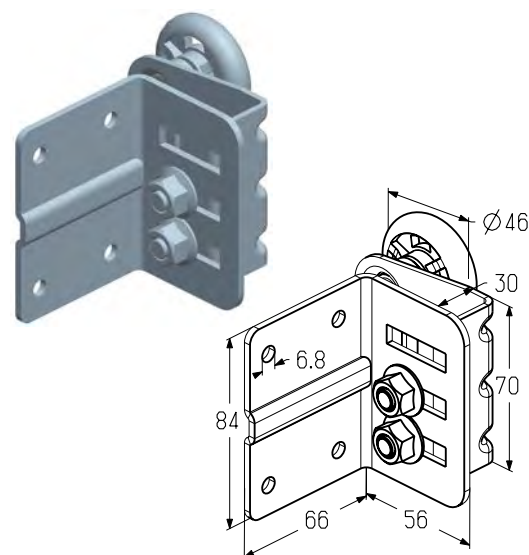
Предназначен для установки на верхнюю панель полотна ворот.

Вес, кг/шт.....0,418

Единица измеренияшт.

Норма поставки, шт.....20

Арт.	Код	Примечание	Материал	Розничная цена, евро с НДС
RBG-900TNL	401211000	Левый	Нержавеющая сталь	11,00
RBG-900TNR	401211100	Правый		11,00



Кронштейн боковой

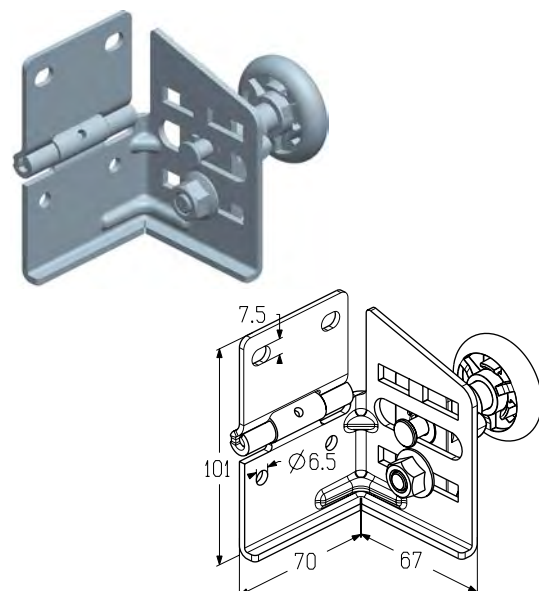
Предназначен для установки на промежуточные панели полотна ворот с рисунками «микроволна», «филенка», «S-гофр».

Вес, кг/шт.....0,368

Единица измеренияшт.

Норма поставки, шт.....30

Арт.	Код	Примечание	Материал	Розничная цена, евро с НДС
RBG-700TNL	401221400	Левый	Нержавеющая сталь	11,00
RBG-700TNR	401221500	Правый		11,00



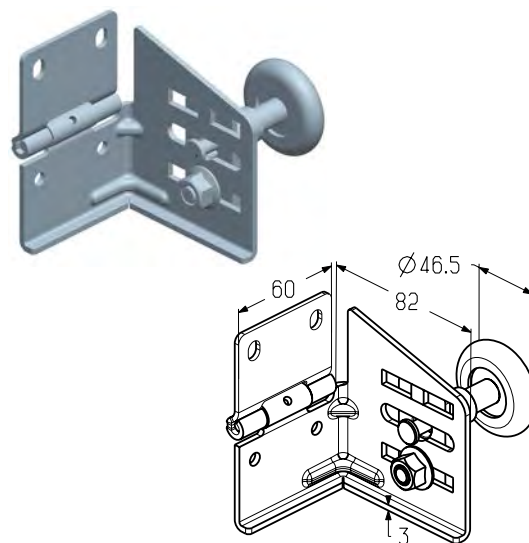
ПОЛОТНО ВОРОТ

Кронштейн боковой

Предназначен для установки на промежуточные панели полотна ворот с рисунками «М-гофр», «L-гофр».

Вес, кг/шт.....0,42
Единица измеренияшт.
Норма поставки, шт.....60

Арт.	Код	Примечание	Материал	Розничная цена, евро с НДС
RBG-750TNL	401221600	Левый	Нержавеющая сталь	13,00
RBG-750TNR	401221700	Правый		13,00

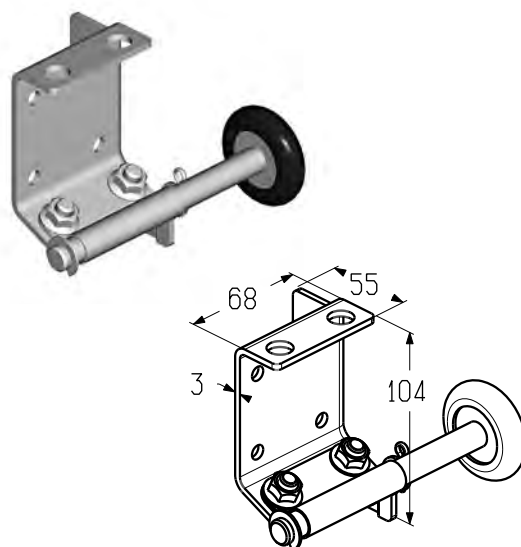


Кронштейн нижний левый
Кронштейн нижний правый

Предназначен для установки на нижнюю панель полотна ворот.

Вес, кг/шт.....0,462
Единица измеренияшт.
Норма поставки, шт.....20

Арт.	Код	Примечание	Материал	Розничная цена, евро с НДС
RBS100L	401231600	Левый	Оцинкованная сталь	9,00
RBS100R	401231700	Правый		9,00
RBG-100TNL	401233600	Левый	Нержавеющая сталь	14,00
RBG-100TNR	401233700	Правый		14,00

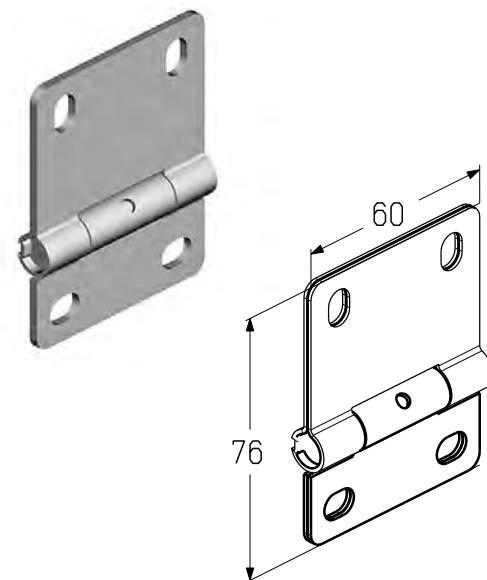


Петля промежуточная

Предназначена для соединения сэндвич-панелей полотна ворот.

Материал..... нержавеющая сталь
Вес, кг/шт.....0,111
Единица измеренияшт.
Норма поставки, шт.....288

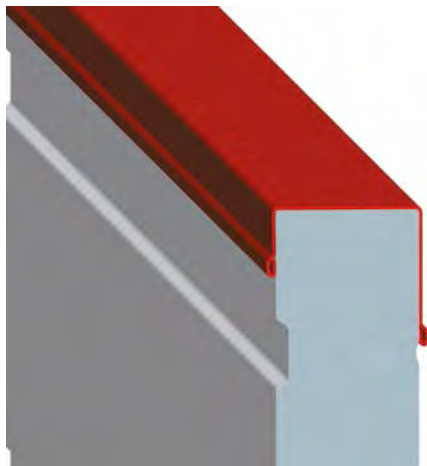
Арт.	Код	Розничная цена, евро с НДС
IN113	401190500	3,00



4.1

УСТАНОВКА ПРОФИЛЯ КОНЦЕВОГО ВЕРХНЕГО

Профиль концевой верхний (арт. PRG-14)



Профиль концевой верхний (арт. PRG-15)



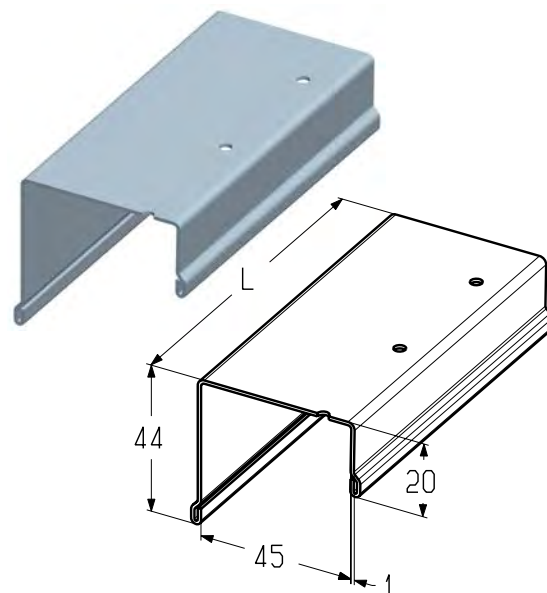
4.1

Профиль концевой (верхний)

Предназначен для установки в верхнюю панель полотна ворот.

Материал..... оцинкованная сталь
 Покрытие..... полимерное
 Цвет..... бело-серый (близкий RAL9002)
 Вес, кг/м..... 0,95
 Единица измерениям

Арт.	Код	Длина, мм	Норма поставки, м	Розничная цена, евро с НДС
PRG-14	401411310	5720	823,68	7,60
		7040	1013,76	

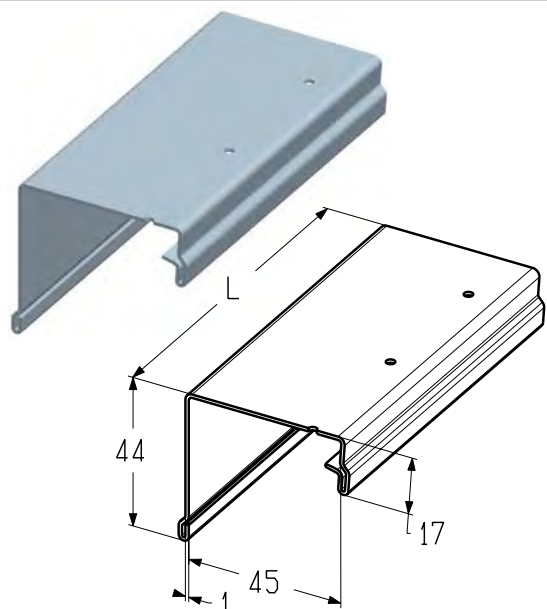


Профиль концевой (верхний)

Предназначен для установки в верхнюю панель полотна ворот.
 Устанавливается на сэндвич-панель с горизонтальным гофром в том случае, если подрезка панели попадает на паз.

Материал..... оцинкованная сталь
 Покрытие..... полимерное
 Цвет..... серо-белый (близкий RAL9002)
 Вес, кг/м..... 0,95
 Единица измерениям

Арт.	Код	Длина, мм	Норма поставки, м	Розничная цена, евро с НДС
PRG-15	401411410	5720	915,20	7,60
		7040	1126,40	



ПОЛОТНО ВОРОТ

УСТАНОВКА ПРОФИЛЯ КОНЦЕВОГО НИЖНЕГО И НИЖНЕЙ ВСТАВКИ УПЛОТНИТЕЛЬНОЙ

Установка профиля концевой нижней



Вставка уплотнительная нижняя

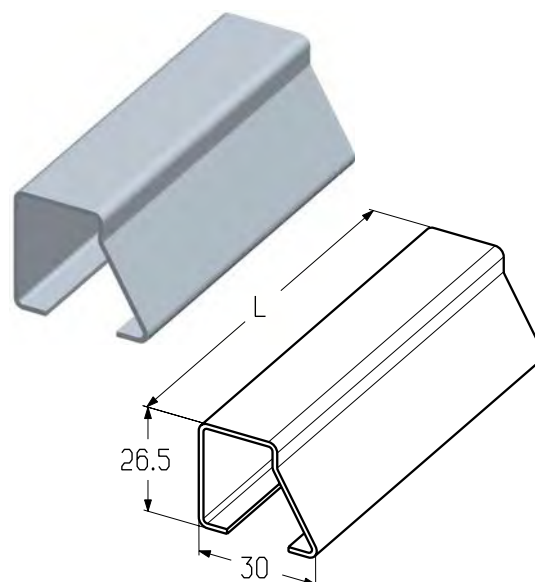


Профиль концевой (нижний)

Предназначен для установки в нижнюю панель полотна ворот.

Материал Сталь
 Вес, кг/м 0,742
 Единица измерения м

Арт.	Код	Длина, мм	Норма поставки, м	Розничная цена, евро с НДС
PRG-11	401411000	5700	45,60	4,00
		7040	56,32	

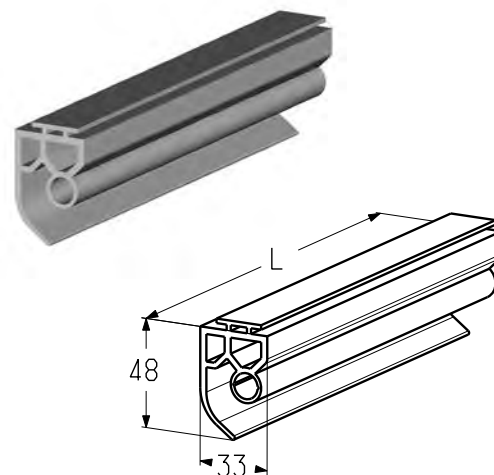


Вставка уплотнительная (нижняя)

Предназначена для герметизации нижней части проема.
 Устанавливается в профиль концевой нижней (PRG-11).

Материал EPDM
 Вес, кг/м 0,39
 Единица измерения м
 Норма поставки, м 55

Арт.	Код	Розничная цена, евро с НДС
RSB10	401510600	8,30



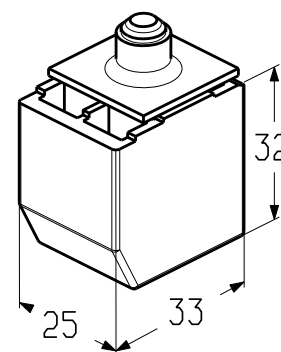
4.1

Упор нижний

Предназначен для установки в профиль воротный нижний (PRG-11).

Материал..... HDPE
 Вес, кг/м.....0,043
 Единица измеренияшт.
 Норма поставки, шт.60

Арт.	Код	Розничная цена, евро с НДС
LS1016	401940300	1,00



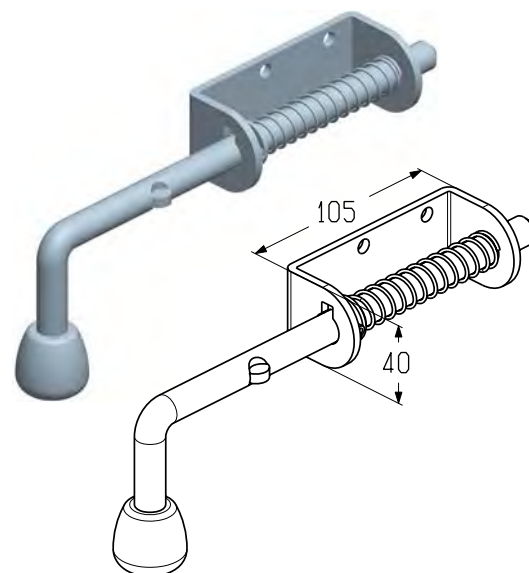
4.1

Засов

Предназначен для запираения ворот.

Материал..... оцинкованная сталь
 Вес, кг/шт.....0,583
 Единица измеренияшт.
 Норма поставки, шт.50

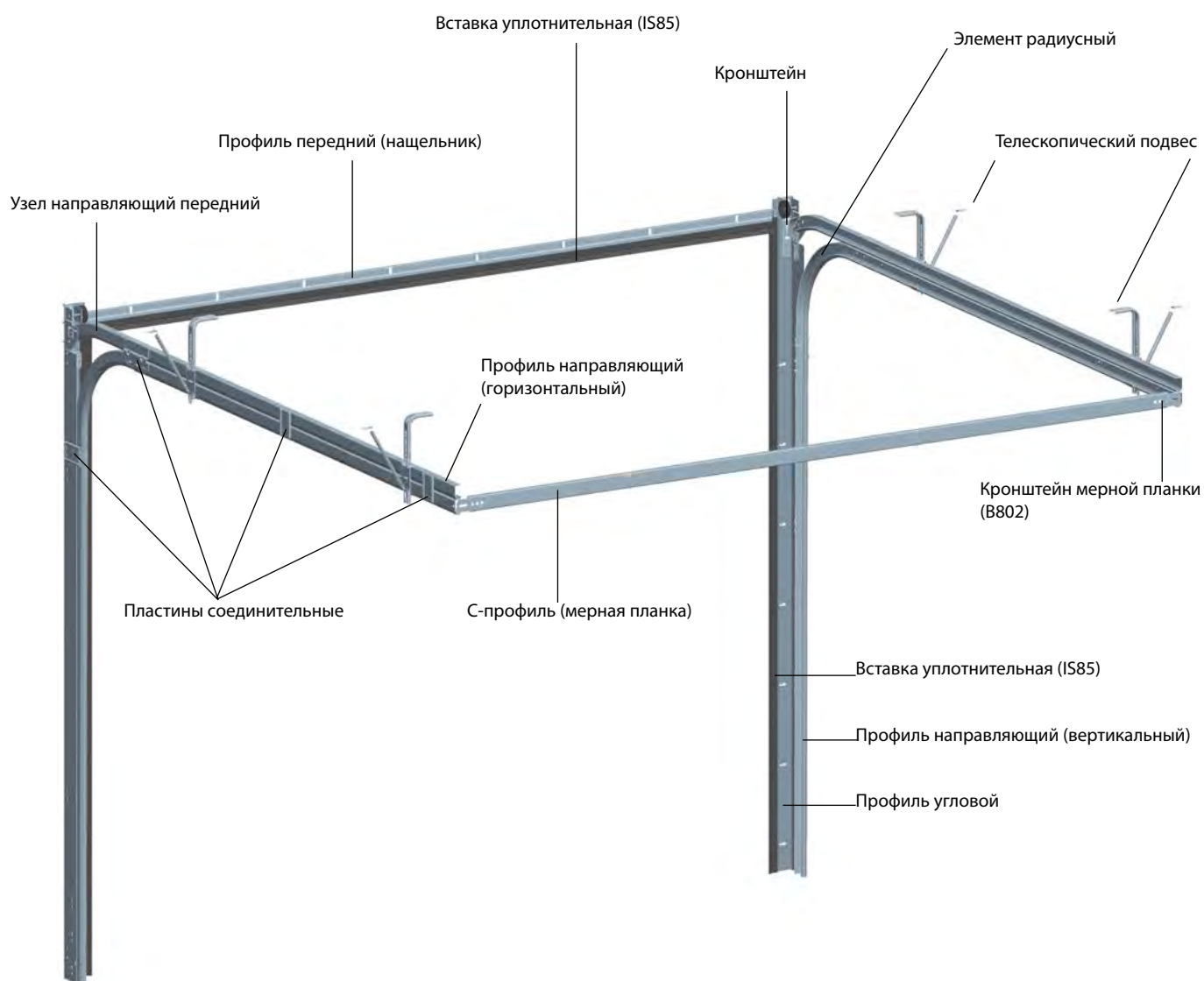
Арт.	Код	Розничная цена, евро с НДС
SB0101S	401960100	7,80





**СИСТЕМЫ НАПРАВЛЯЮЩИХ
И ПОДВЕСА**

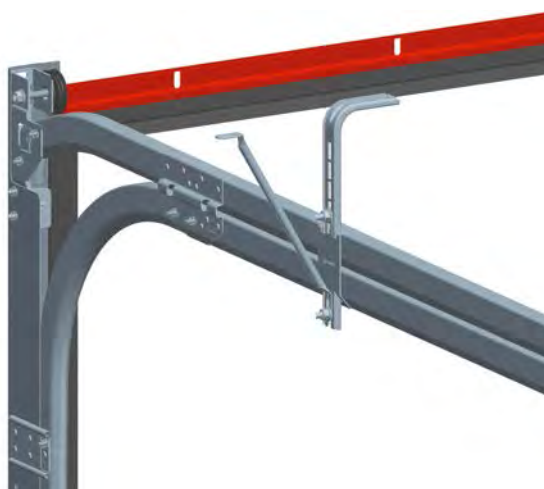
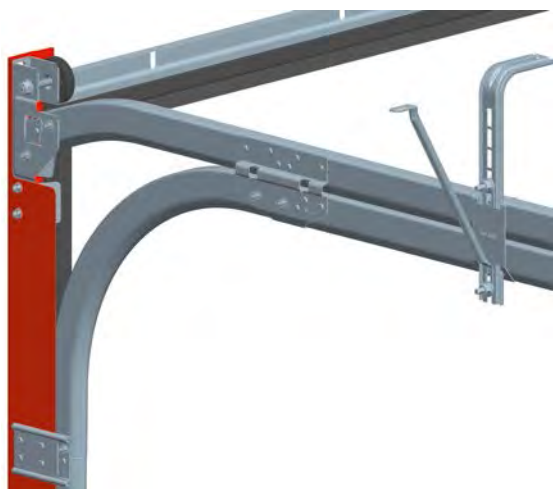
ТИПОВАЯ КОНСТРУКЦИЯ СИСТЕМЫ НАПРАВЛЯЮЩИХ И ПОДВЕСА
ГАРАЖНЫХ ВОРОТ СЕРИИ CLASSIC



4.2

СИСТЕМА НАПРАВЛЯЮЩИХ

УСТАНОВКА ПРОФИЛЯ УГЛОВОГО И ПРОФИЛЯ ПЕРЕДНЕГО

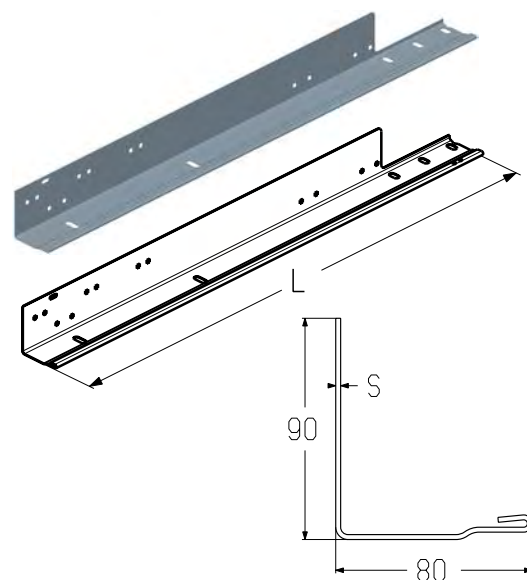


Профиль угловой

Предназначен для изготовления вертикальных направляющих.

Толщина (S), мм..... 1,2
 Материал..... оцинкованная сталь
 Вес, кг/м..... 1,593
 Единица измеренияМ

Арт.	Код	Примечание	Длина, мм	Норма поставки		Розничная цена, евро с НДС
				м	шт.	
PRG02SL	402013400	Левый	2185	131,1	60	9,50
			2350	141,0	60	
			2435	146,1	60	
			2600	156,0	60	
			2810	168,6	60	
			3185	191,1	60	
PRG02SR	402013500	Правый	2185	131,1	60	9,50
			2350	141,0	60	
			2435	146,1	60	
			2600	156,0	60	
			2810	168,6	60	
			3185	191,1	60	

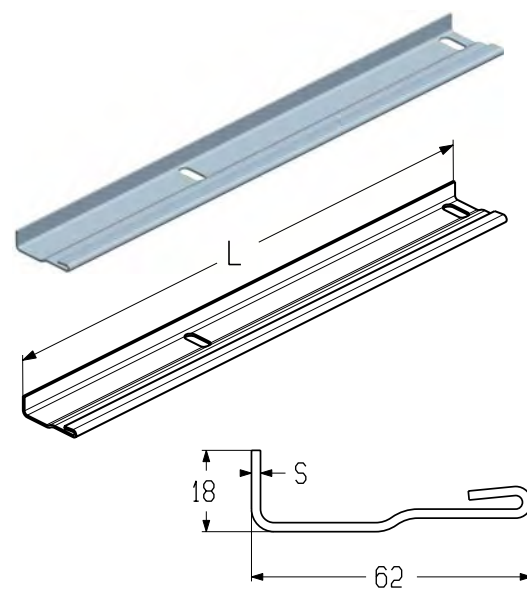


Профиль передний (нащельник)

Предназначен для соединения профилей угловых и для крепления вставки уплотнительной (IS85).

Толщина (S), мм..... 1,2
 Материал..... оцинкованная сталь
 Вес, кг/м..... 0,825
 Единица измеренияМ

Арт.	Код	Длина (L), мм	Норма поставки		Розничная цена, евро с НДС
			м	шт.	
PRG05S	402431000	2540	152,40	60	4,40
		2840	170,40	60	
		3040	182,40	60	
		3540	212,40	60	
		4040	242,40	60	
		4540	272,40	60	
		5060	303,60	60	
		6000	360,00	60	



УСТАНОВКА ПРОФИЛЯ НАПРАВЛЯЮЩЕГО И С-ПРОФИЛЯ



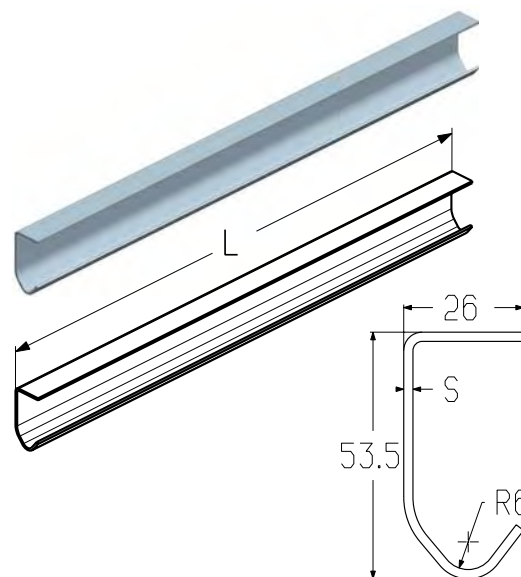
4.2

Профиль направляющий

Предназначен для создания траектории движения полотна ворот.

Толщина (S), мм..... 1,2
 Материал..... Оцинкованная сталь
 Вес, кг/м..... 0,891
 Единица измерения М

Арт.	Код	Длина (L), мм	Норма поставки		Розничная цена, евро с НДС
			м	шт.	
PRG04S	402130000	1795	89,75	50	5,00
		1920	96,00	50	
		2045	102,25	50	
		2170	108,50	50	
		2295	114,75	50	
		2435	121,75	50	
		2727	136,35	50	
2970	148,50	50			

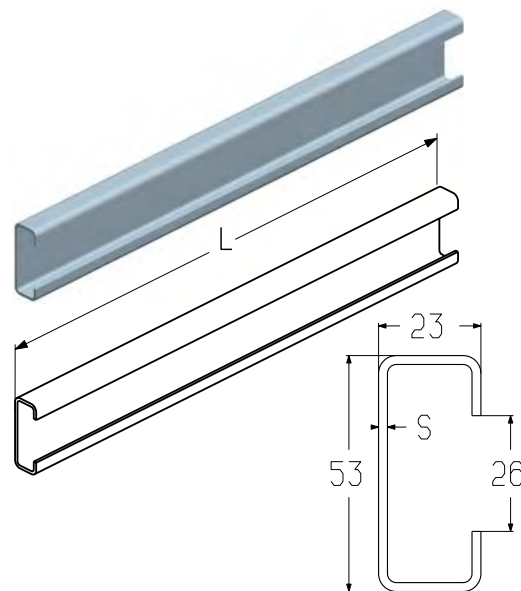


С-профиль

Предназначен для изготовления мерной планки.

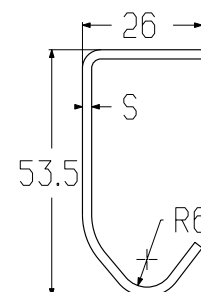
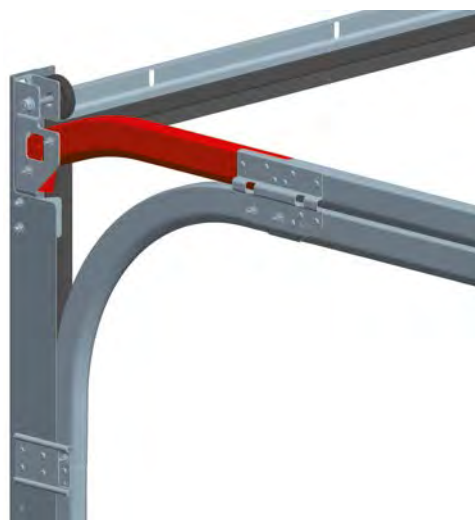
Толщина (S), мм..... 1,2
 Материал..... Оцинкованная сталь
 Вес, кг/м..... 1,76
 Единица измерения М

Арт.	Код	Длина (L), мм	Норма поставки		Розничная цена, евро с НДС
			м	шт.	
PRG07NS	402470000	2550	127,50	50	4,80
		2645	132,25	50	
		2845	142,25	50	
		3050	152,50	50	
		3545	177,25	50	



СИСТЕМА НАПРАВЛЯЮЩИХ

УСТАНОВКА ЭЛЕМЕНТА РАДИУСНОГО И УЗЛА НАПРАВЛЯЮЩЕГО ПЕРЕДНЕГО

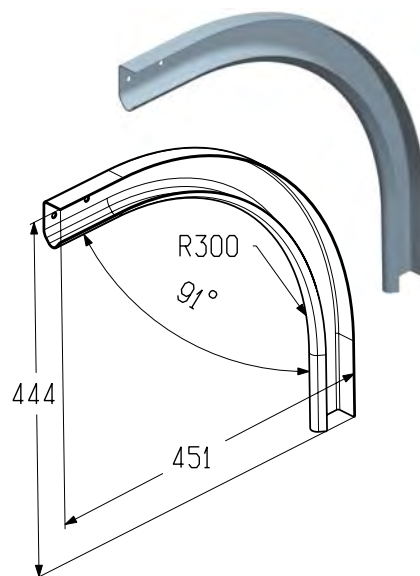


Элемент радиусный левый
Элемент радиусный правый

Предназначен для соединения вертикальной и горизонтальной направляющих.

Радиус, мм 300
Толщина (S), мм 1,2
Материал оцинкованная сталь
Вес, кг/шт. 0,605
Единица измерения шт.
Норма поставки, шт. 60

Арт.	Код	Примечание	Розничная цена, евро с НДС
RE801SL	402210000	Левый	5,80
RE801SR	402210100	Правый	5,80

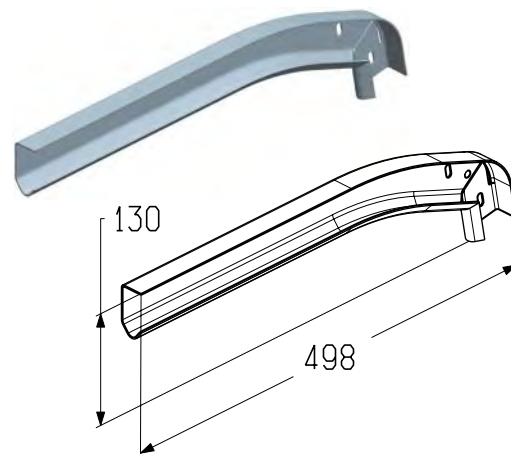


Узел направляющий передний левый
Узел направляющий передний правый

Предназначен для создания траектории движения верхней панели полотна ворот совместно с профилем направляющим (PRG04S).

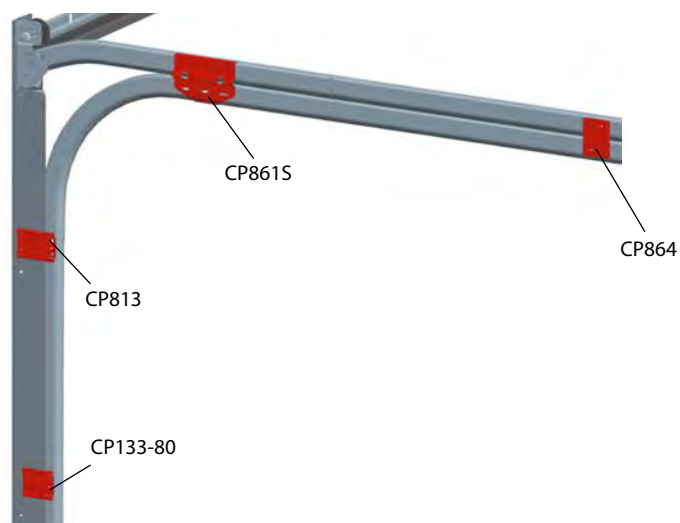
Толщина (S), мм 1,2
Материал оцинкованная сталь
Вес, кг/шт. 0,470
Единица измерения шт.
Норма поставки, шт. 60

Арт.	Код	Примечание	Розничная цена, евро с НДС
S940SL	402310000	Левый	7,00
S940SR	402310100	Правый	7,00



4.2

УСТАНОВКА ПЛАСТИН СОЕДИНИТЕЛЬНЫХ

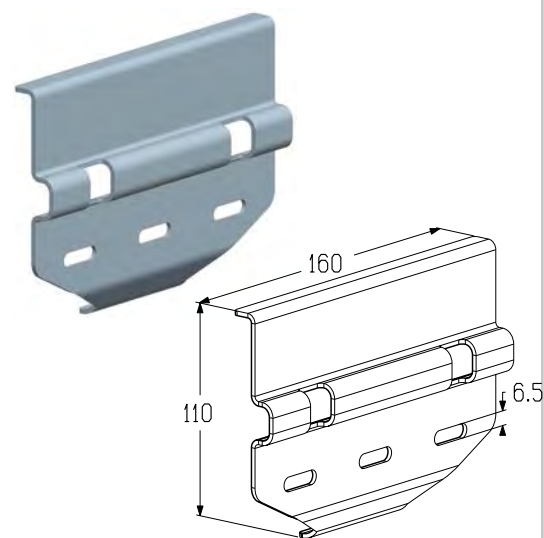


4.2

Пластина соединительная передняя

Предназначена для соединения горизонтальной направляющей с элементом радиусным и узлом направляющим передним.

Толщина, мм 1,2
 Материал оцинкованная сталь
 Вес, кг/шт. 0,170
 Единица измерения шт.
 Норма поставки, шт. 80



Арт.	Код	Розничная цена, евро с НДС
CP861S	402811400	2,50

СИСТЕМА НАПРАВЛЯЮЩИХ

УСТАНОВКА КРОНШТЕЙНА

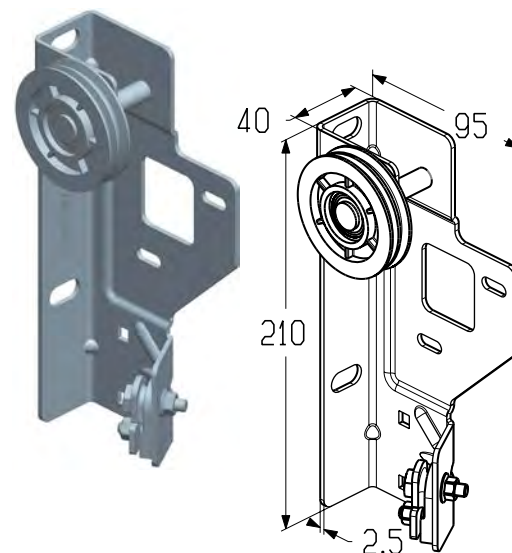


Кронштейн левый
Кронштейн правый

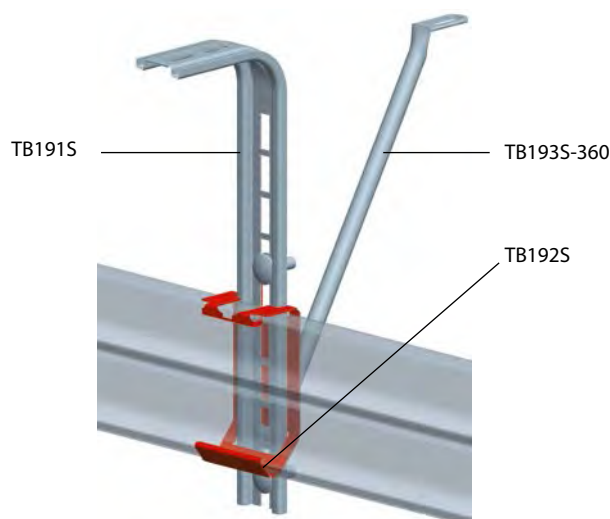
- Предназначен для:
- крепления узла направляющего переднего;
 - крепления троса.

Материалоцинкованная сталь
 Вес, кг/шт.....0,540
 Единица измеренияшт.
 Норма поставки, шт.24

Арт.	Код	Примечание	Розничная цена, евро с НДС
V180SL	402630100	Левый	21,00
V180SR	402630200	Правый	21,00



УСТАНОВКА ТЕЛЕСКОПИЧЕСКОГО ПОДВЕСА

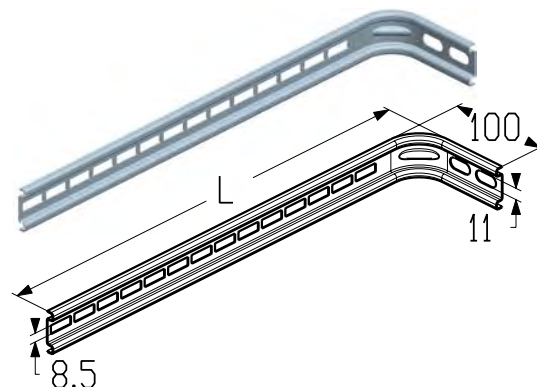


Подвес

Предназначен для изготовления системы телескопического подвеса.

Материал оцинкованная сталь
Единица измерения шт.

Арт.	Код	Длина, мм	Вес, кг/шт.	Норма поставки, шт.	Розничная цена, евро с НДС
TB191S-300	402811500	300	0,192	300	4,00
TB191S-500	402811600	500	0,282	200	6,00
TB191S-800	402811700	800	0,413	120	8,00
TB191S-1000	402811800	1000	0,514	100	9,00

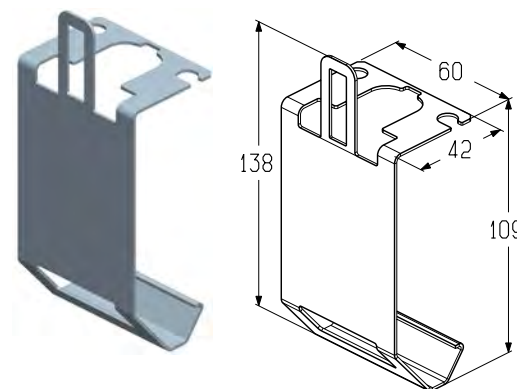


Кронштейн

Предназначен для изготовления системы телескопического подвеса.

Материал оцинкованная сталь
Вес, кг/шт. 0,082
Единица измерения шт.
Норма поставки, шт. 400

Арт.	Код	Розничная цена, евро с НДС
TB192S	402610700	2,50

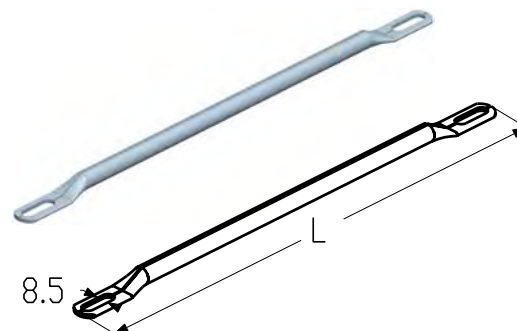


Раскос

Предназначен для изготовления системы телескопического подвеса.

Материал оцинкованная сталь
Единица измерения шт.
Норма поставки, шт. 400

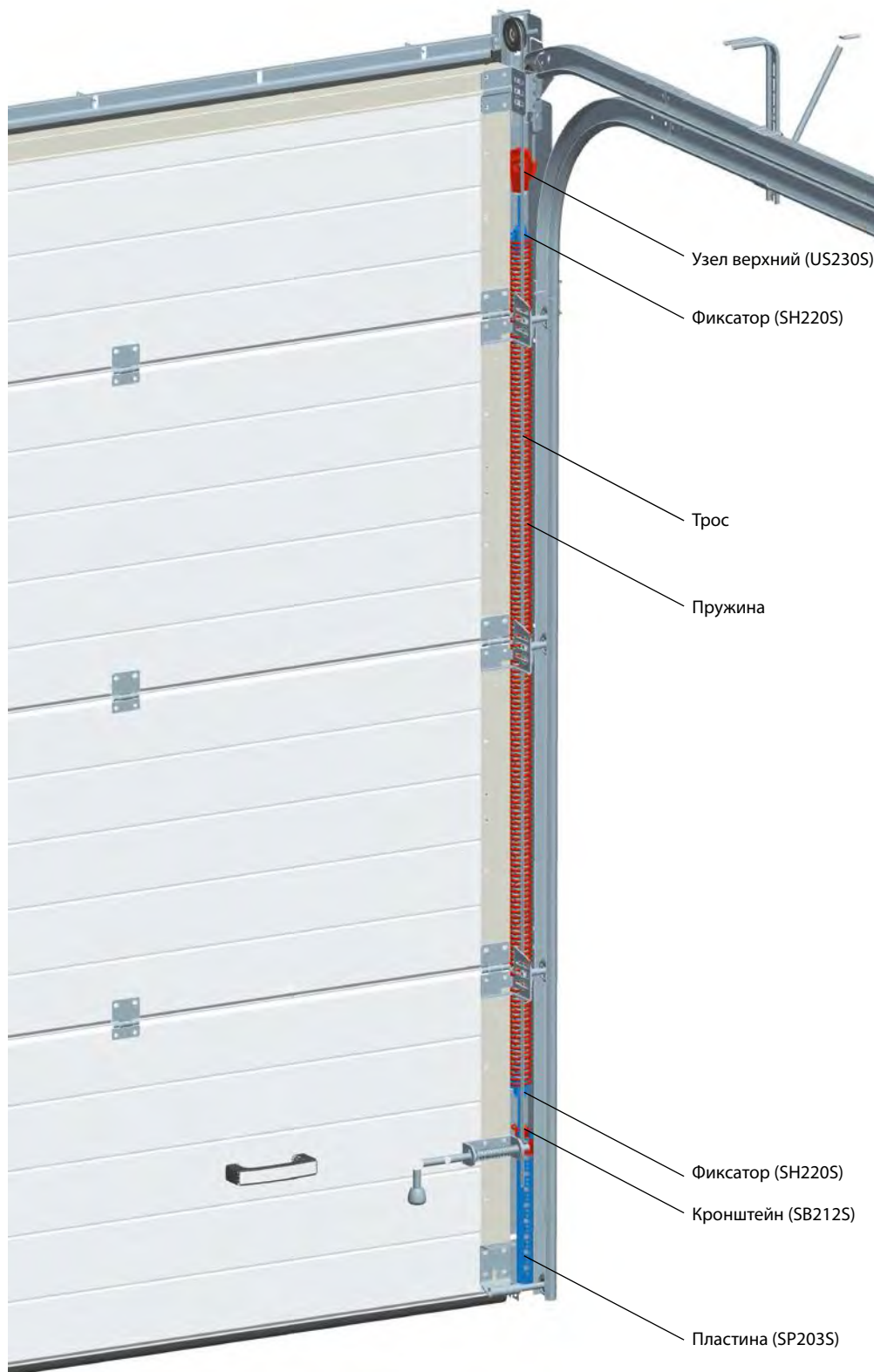
Арт.	Код	Длина, мм	Вес, кг/шт.	Розничная цена, евро с НДС
TB193S-330	402910600	330	0,082	2,00
TB193S-680	402910700	680	0,190	4,50
TB193S-910	402910800	910	0,261	5,50





СИСТЕМА БАЛАНСИРОВКИ

ТИПОВАЯ КОНСТРУКЦИЯ СИСТЕМЫ БАЛАНСИРОВКИ
ГАРАЖНЫХ ВОРОТ СЕРИИ CLASSIC



4.3

СИСТЕМА БАЛАНСИРОВКИ

УСТАНОВКА УЗЛА ВЕРХНЕГО И ПЛАСТИНЫ

Узел верхний



Пластина



4.3

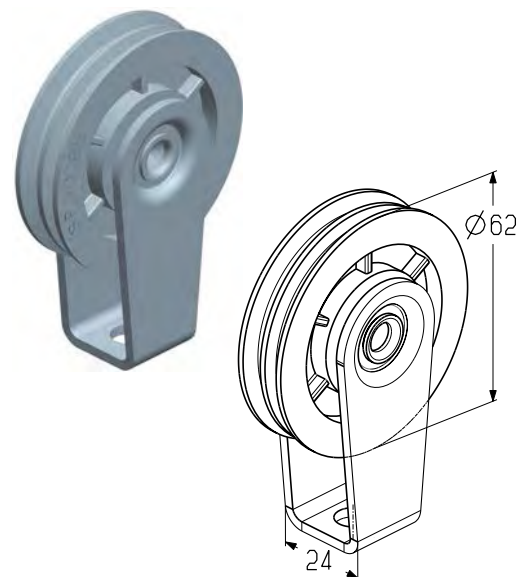
Узел верхний

Предназначен для

- установки троса;
- крепления фиксатора (SH220S).

Материал.....оцинкованная сталь
 Вес, кг/шт.....0,135
 Единица измеренияшт.
 Норма поставки, шт. 100

Арт.	Код	Розничная цена, евро с НДС
US230S	402300400	7,00

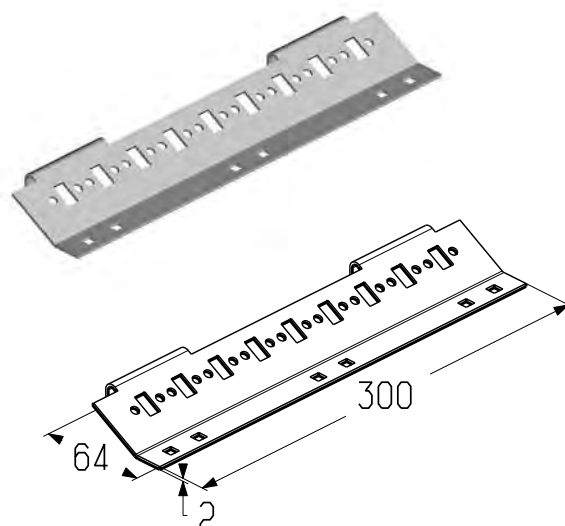


Пластина

Предназначена для регулировки натяжения пружин совместно с кронштейном (SB212S).

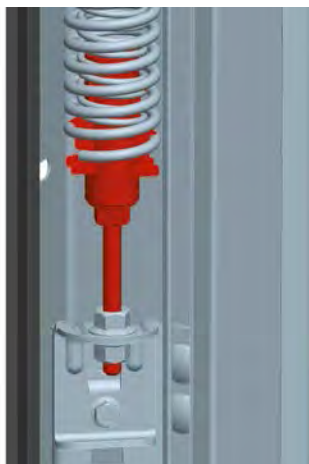
Материал.....оцинкованная сталь
 Вес, кг/шт.....0,29
 Единица измеренияшт.
 Норма поставки, шт.50

Арт.	Код	Розничная цена, евро с НДС
SP203S	402911000	6,00



УСТАНОВКА ФИКСАТОРА И КРОНШТЕЙНА

Фиксатор SH220S



Кронштейн SB212S

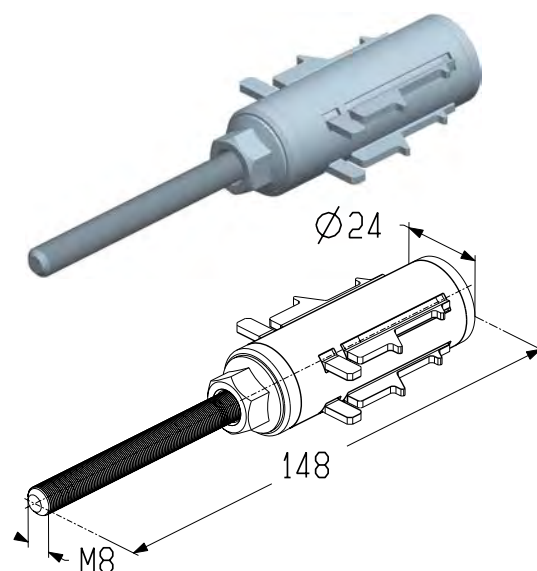


Фиксатор

Предназначен для крепления пружин.

Материал оцинкованная сталь
 Вес, кг/шт. 0,210
 Единица измерения шт.
 Норма поставки, шт. 80

Арт.	Код	Розничная цена, евро с НДС
SH220S	402910500	8,50

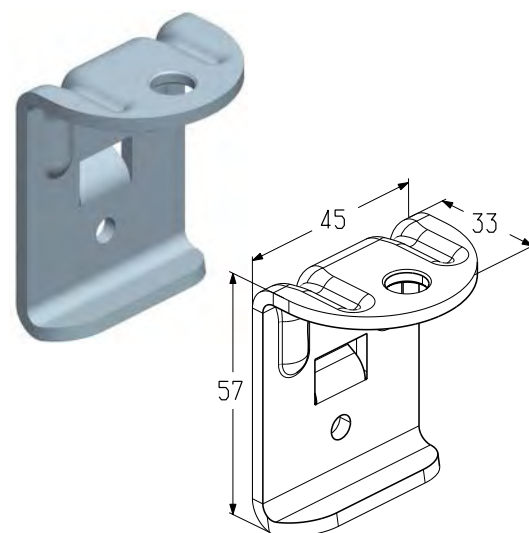


Кронштейн

Предназначен для регулировки натяжения пружин совместно с пластиной (SP202S).

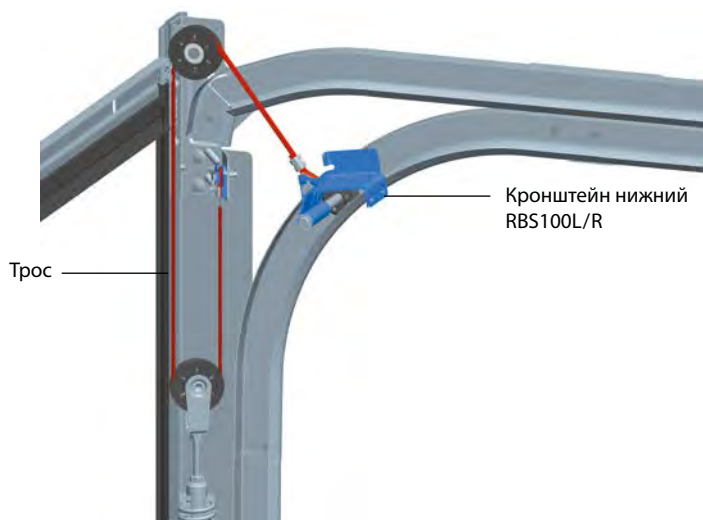
Материал оцинкованная сталь
 Вес, кг/шт. 0,930
 Единица измерения шт.
 Норма поставки, шт. 200

Арт.	Код	Розничная цена, евро с НДС
SB212S	402600600	1,50



СИСТЕМА БАЛАНСИРОВКИ

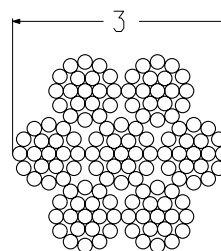
УСТАНОВКА ТРОСА



Трос

Предназначен для подъема полотна ворот.

Диаметр, мм 3
 Материал оцинкованная сталь
 Вес, кг/м 0,032
 Единица измерения м
 Норма поставки, м 250

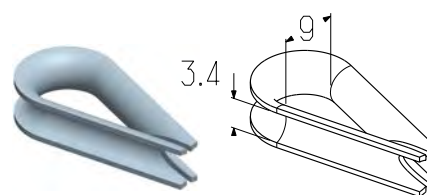


Арт.	Код	Розничная цена, евро с НДС
CR-3-250	403930000	0,70

Коуш

Предназначен для заделки троса.

Материал оцинкованная сталь
 Вес, кг/шт 0,002
 Единица измерения шт.
 Норма поставки, шт 1000

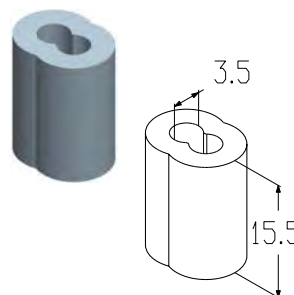


Арт.	Код	Розничная цена, евро с НДС
CRT-3	403950000	0,50

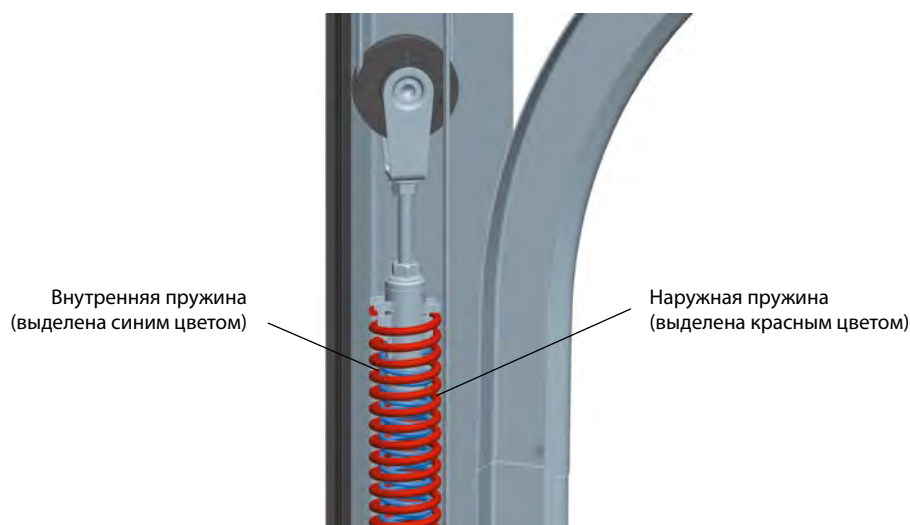
Зажим

Предназначен для заделки троса.

Материал алюминий
 Вес, кг/шт 0,003
 Единица измерения шт.
 Норма поставки, шт 1000



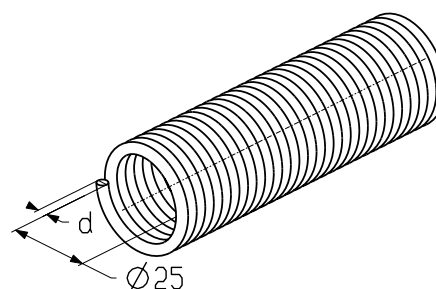
Арт.	Код	Розничная цена, евро с НДС
CRS2-3	403940000	0,25

УСТАНОВКА ВНУТРЕННЕЙ И НАРУЖНОЙ ПРУЖИН

 Внутренняя пружина
 (выделена синим цветом)

 Наружная пружина
 (выделена красным цветом)

Пружина (внутренняя)

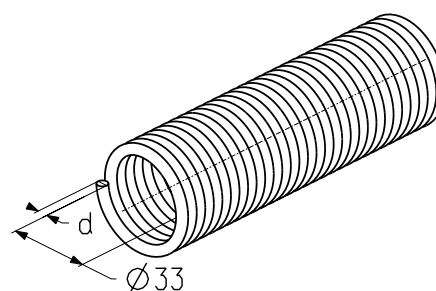
Предназначена для балансировки полотна ворот.

 Внутренний диаметр, мм25
 Длина, мм1500
 Материал..... оцинкованная сталь
 Единица измерениям


Арт.	Код	d, мм	Вес, кг/м	Цвет торца пружины	Норма поставки		Розничная цена, евро с НДС
					м	шт.	
TN28×25BR×1150L	403320800	2,8	1,93	RAL8003	11,50	10	19,00
TN30×25WH×1075L	403320500	3,0	1,62	RAL9003	10,75	10	20,00
TN32×25YL×1120L	403321900	3,2	1,74	RAL1026	11,20	10	24,00
TN32×25YL×1400L	403321000	3,2	1,74	RAL1026	14,00	10	24,00
TN34×25RD×1400L	403321100	3,4	1,86	RAL3000	14,00	10	24,00

Пружина (наружная)

Предназначена для балансировки полотна ворот.

 Внутренний диаметр, мм33
 Длина, мм1500
 Материал..... оцинкованная сталь
 Единица измерениям


Арт.	Код	d, мм	Вес, кг/м	Цвет торца пружины	Норма поставки		Розничная цена, евро с НДС
					м	шт.	
TN32×33GR×1050R	403331700	3,2	2,23	RAL7000	10,50	10	24,00
TN34×33BL×1375R	403330800	3,4	3,28	RAL5005	13,75	10	24,00
TN36×33OR×850R	403331400	3,6	2,36	RAL2000	8,50	10	31,00
TN36×33OR×1100R	403332200	3,6	2,54	RAL2000	11,00	10	31,00
TN38×33PN×1000R	403331000	3,8	2,69	RAL3014	10,00	10	35,00
TN40×33GN×1100R	403331500	4,0	2,85	RAL6018	11,00	10	35,00
TN42×33BK×1250R	403331600	4,2	3,01	RAL9005	12,50	10	37,00
TN45×33VT×1510R	403332300	4,5	3,47	RAL4006	15,10	10	43,00

СИСТЕМА БАЛАНСИРОВКИ

УСТАНОВКА КОЖУХА

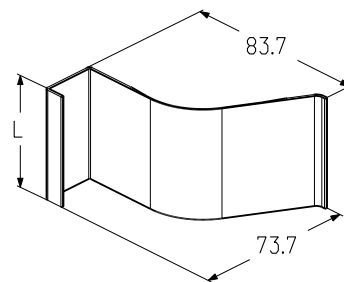


4.3

Кожух защитный

Предназначен для защиты от защемления пальцев.
Устанавливается совместно с пружинным механизмом.
Используется в гаражных воротах с пружинами растяжения.

Материал.....RPVC
Длина, м2,5
Вес, кг/м.....0,142
Единица измеренияМ
Норма поставки, м25



Арт.	Код	Розничная цена, евро с НДС
РС-4016	402911800	5,50

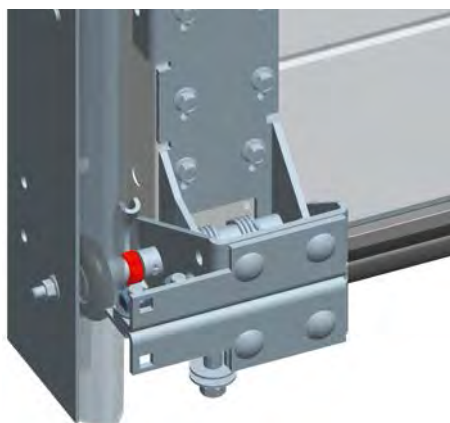


**ДОПОЛНИТЕЛЬНАЯ
КОМПЛЕКТАЦИЯ**

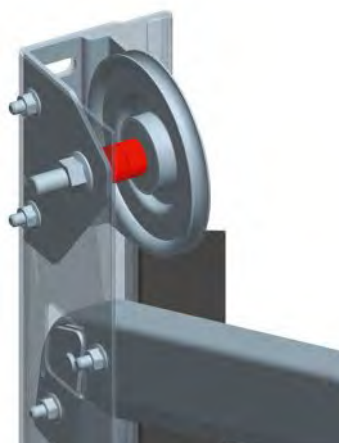
УСТАНОВКА КОЛЕЦ ДИСТАНЦИОННЫХ

КОЛЬЦО ДИСТАНЦИОННОЕ DR-11

Кронштейн нижний

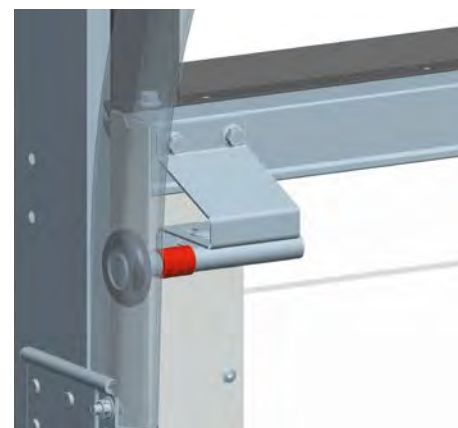


Ось шкива



КОЛЬЦО ДИСТАНЦИОННОЕ DR-12

Кронштейн боковой



Кольцо дистанционное

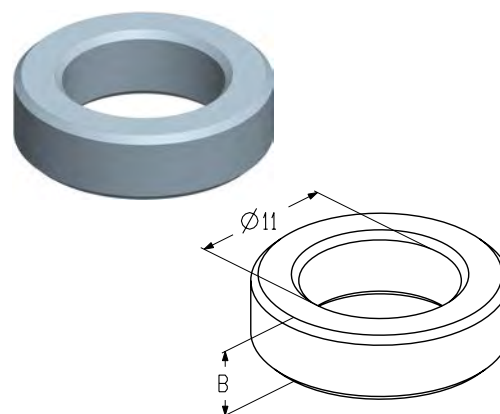
Предназначено для установки на ролики ходовые кронштейна нижнего (RBI446L/R, RBI446ML/R). Используется в промышленных воротах всех типов монтажа. Предназначено для установки на ось шкива.

Используется:

- в гаражных воротах низкого типа монтажа;
- в промышленных воротах низкого и наклонного низкого типов монтажа.

Внутренний диаметр, мм 11
 Материал оцинкованная сталь
 Единица измерения шт.
 Норма поставки, шт. 300

Арт.	Код	Ширина (B), мм	Вес, кг/шт.	Розничная цена, евро с НДС
DR-11-05	403960300	5	0,005	0,20
DR-11-07	403960400	7	0,007	0,30
DR-11-10	403960500	10	0,019	0,30



Кольцо дистанционное

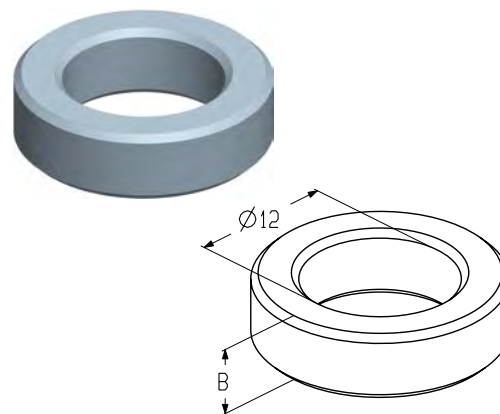
Предназначено для установки на ролики ходовые кронштейна бокового (RBI123) на верхнюю панель полотна ворот.

Используется:

- в гаражных воротах высокого типа монтажа;
- в промышленных воротах всех типов монтажа.

Внутренний диаметр, мм 12
 Материал оцинкованная сталь
 Единица измерения шт.
 Норма поставки, шт. 200

Арт.	Код	Ширина (B), мм	Вес, кг/шт.	Розничная цена, евро с НДС
DR-12-05	403960600	5	0,004	0,20
DR-12-07	403960700	7	0,006	0,30
DR-12-10	403960800	10	0,008	0,30



ДОПОЛНИТЕЛЬНАЯ КОМПЛЕКТАЦИЯ

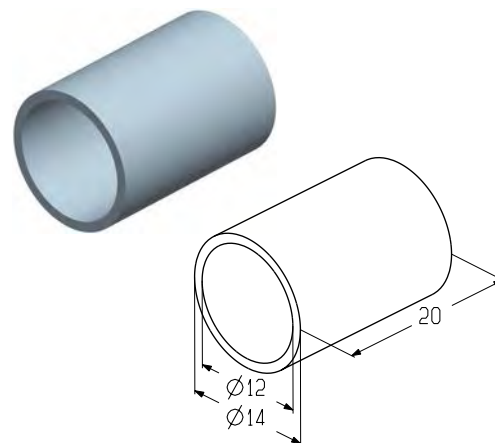
Втулка

Предназначена для предохранения троса от истирания.
Устанавливается на ролики ходовые первого и второго снизу кронштейна бокового (RBI123).

Используется в промышленных воротах высокого, вертикального, наклонного высокого типов монтажа с нижним расположением вала.

Материал..... ПВХ
Вес, кг/шт..... 0,154
Единица измеренияшт.
Норма поставки, шт..... 50

Арт.	Код	Розничная цена, евро с НДС
10500	403900000	0,15



5

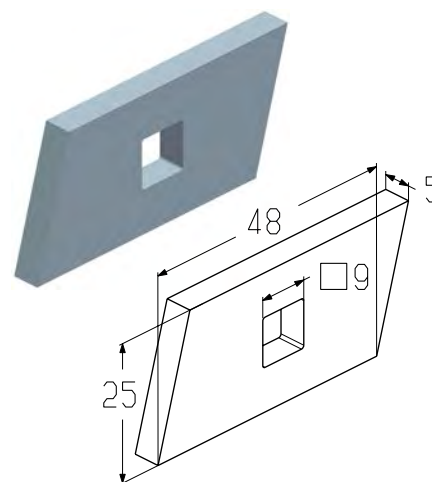
Пластина закладная

Предназначена для:

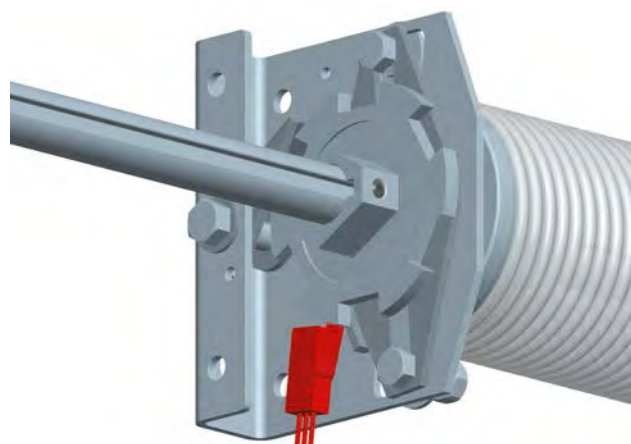
- крепления демпфера к горизонтальным направляющим в промышленных воротах всех типов монтажа;
- крепления блока (НКУ001) в гаражных воротах всех типов монтажа, промышленных воротах всех типов монтажа кроме вертикального, высокого, наклонного с нижним расположением вала.

Материал..... оцинкованная сталь
Вес, кг/шт..... 0,04
Единица измеренияшт.
Норма поставки, шт..... 100

Арт.	Код	Розничная цена, евро с НДС
CP0506	403900100	1,15



УСТАНОВКА ДАТЧИКОВ БЕЗОПАСНОСТИ



5

Микрореле

Предназначено для остановки электропривода при поломке пружины.
Устанавливается совместно с муфтой храповой предохранительной.

Используется:

- в гаражных воротах с торсионными пружинами всех типов монтажа;
- в промышленных воротах всех типов монтажа.

Вес, кг/шт. 0,03

Единица измерения шт.

Норма поставки, шт. 50

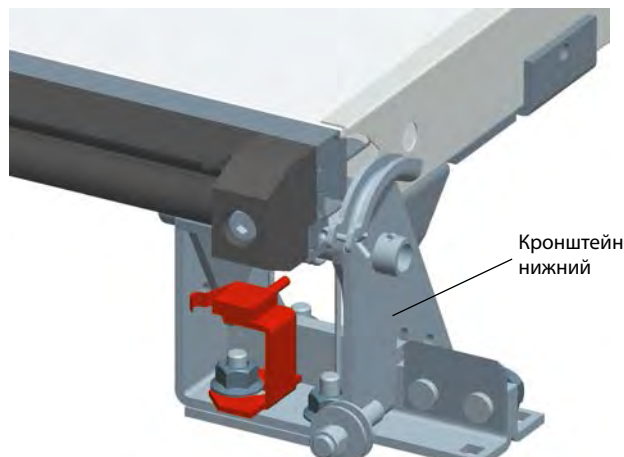


Арт.	Код	Розничная цена, евро с НДС
SS0402	403900200	24,00

ДОПОЛНИТЕЛЬНАЯ КОМПЛЕКТАЦИЯ

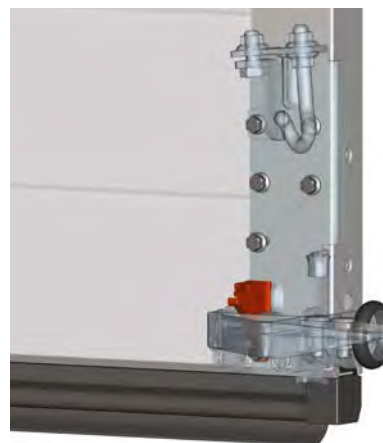
УСТАНОВКА ДАТЧИКОВ БЕЗОПАСНОСТИ

Реле SS446L/R



Кронштейн
нижний

Реле SS-40.100



5

Реле

Предназначено для остановки электропривода при обрыве троса.
Устанавливается совместно с кронштейном нижним (RBI446L/R, RBI446ML/R).
Используется в промышленных воротах всех типов монтажа.

Вес, кг/шт.....0,6
Единица измерения.....шт.
Норма поставки, шт.....25

Арт.	Код	Материал	Розничная цена, евро с НДС
SS446L	403900300	Левый	9,00
SS446R	403900400	Правый	9,00

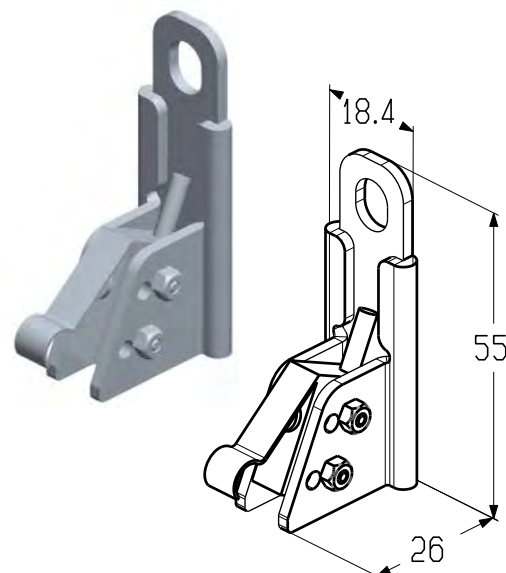


Реле

Предназначено для остановки электропривода при обрыве троса.
Устанавливается совместно с кронштейном нижним (RBI-40.100R/L, RBI-40.100DR/L).
Используется в промышленных воротах всех типов монтажа.

Вес, кг/шт.....0,03
Единица измерения.....шт.
Норма поставки, шт.....??

Арт.	Код	Розничная цена, евро с НДС
SS-40.100	401200400	9,00

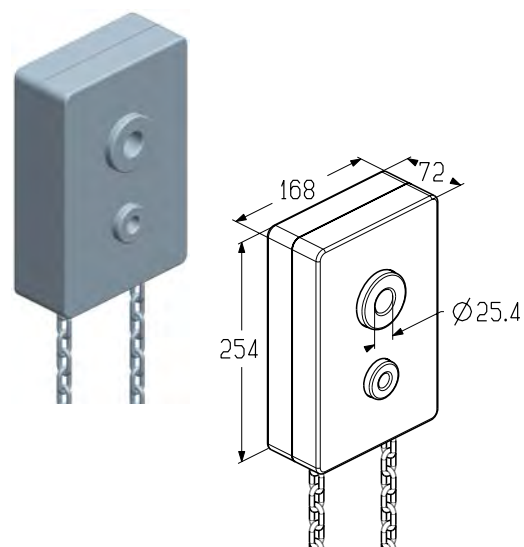


Редуктор цепной

Предназначен для подъема/опускания полотна ворот.
Используется в промышленных воротах всех типов монтажа.

Вес, кг/шт..... 5
 Единица измерения.....шт.
 Норма поставки, шт..... 1

Арт.	Код	Розничная цена, евро с НДС
CH0501	403900500	133,85

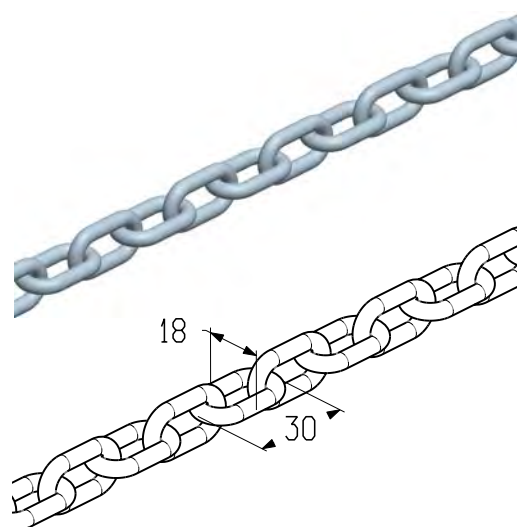


Цепь

Предназначена для удлинения цепи редуктора цепного (CH0501).
Используется в промышленных воротах всех типов монтажа.

Материал..... оцинкованная сталь
 Вес, кг/м..... 0,5
 Единица измерения..... м
 Норма поставки, м..... 25

Арт.	Код	Розничная цена, евро с НДС
C0502	403900600	7,70



Веревка

Предназначена для опускания полотна ворот.
Используется в гаражных и промышленных воротах всех типов монтажа.

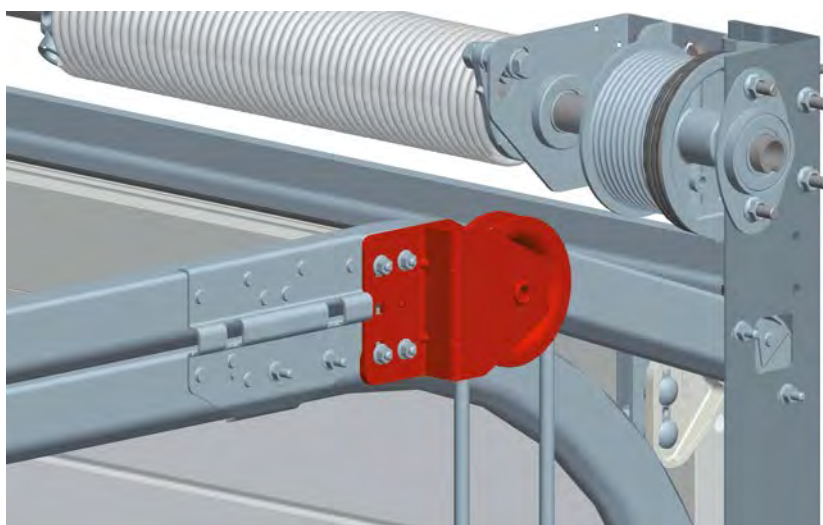
Вес, кг/м..... 0,04
 Единица измерения..... м
 Норма поставки, м..... 250

Арт.	Код	Розничная цена, евро с НДС
PR0503	403900700	2,50



ДОПОЛНИТЕЛЬНАЯ КОМПЛЕКТАЦИЯ

УСТАНОВКА БЛОКА



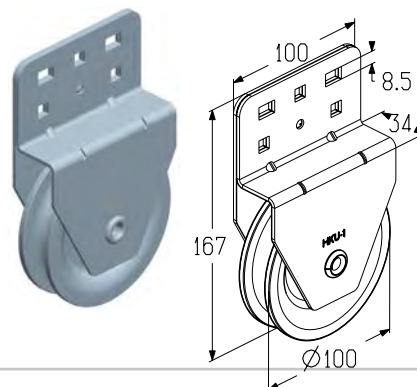
5

Блок

Предназначен для подъема/опускания полотна ворот.
Используется в гаражных и промышленных воротах всех типов монтажа.

Вес, кг/шт.....0,61
Единица измеренияшт.
Норма поставки, шт.....10

Арт.	Код	Розничная цена, евро с НДС
HKU001	403900800	23,10



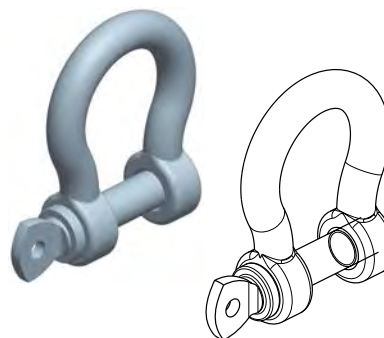
Петля

Предназначена для крепления веревки (PR0503) к профилю угловому.
Используется:

- в гаражных воротах высокого типа монтажа;
- в промышленных воротах всех типов монтажа кроме низкого и наклонного низкого.

Материал оцинкованная сталь
Вес, кг/шт.....0,04
Единица измеренияшт.
Норма поставки, шт.....100

Арт.	Код	Розничная цена, евро с НДС
S0504	403900900	0,90

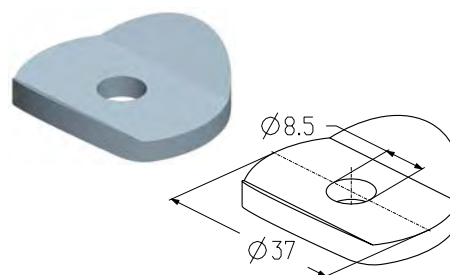


Крепление

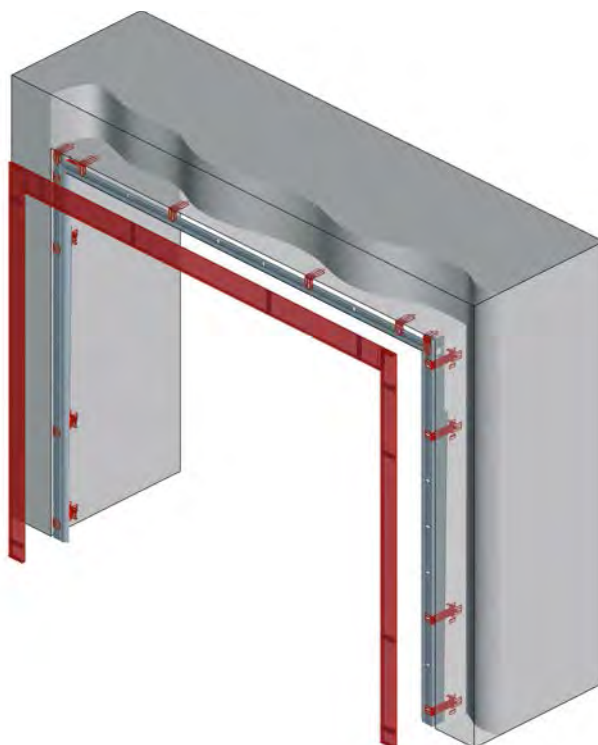
Предназначено для крепления веревки (PR0503) к кронштейну нижнему (RBI446L/R, RBI446ML/R).
Используется в промышленных воротах всех типов монтажа.

Материал оцинкованная сталь
Вес, кг/шт.....0,04
Единица измеренияшт.
Норма поставки, шт.....100

Арт.	Код	Розничная цена, евро с НДС
RC0505	403901000	1,20



УСТАНОВКА КОМПЛЕКТА ВСТРОЕННОГО МОНТАЖА (МОНТАЖ В ПРОЕМ)



5

Комплект кронштейнов

Предназначен для крепления углового профиля (PRG32LL/R, PRG02LL/R) и профиля переднего (PRG05) к проему.

Входит в состав комплекта встроенного монтажа FWO100 и FWO145.

Используется в гаражных воротах низкого типа монтаж и серии Standard.

Состав комплекта:

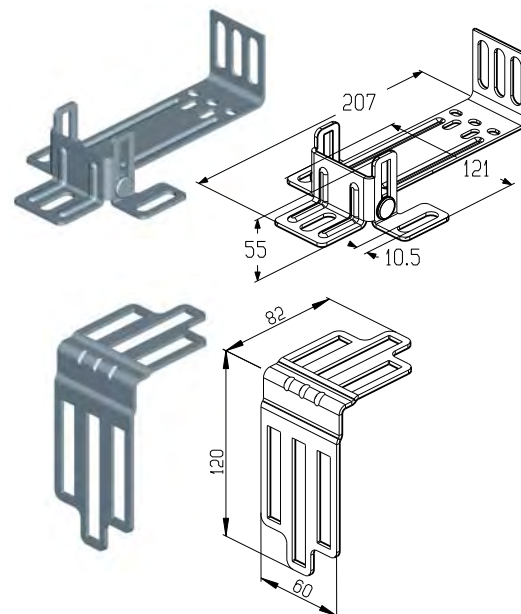
- кронштейн для крепления углового профиля (8 шт.);
- кронштейн для крепления профиля переднего (6 шт.).

Вес, кг/шт.....4,028

Единица измеренияшт.

Норма поставки, шт. 1

Арт.	Код	Розничная цена, евро с НДС
FWO100/145B	402950700	101,00



ДОПОЛНИТЕЛЬНАЯ КОМПЛЕКТАЦИЯ

Комплект крепежный

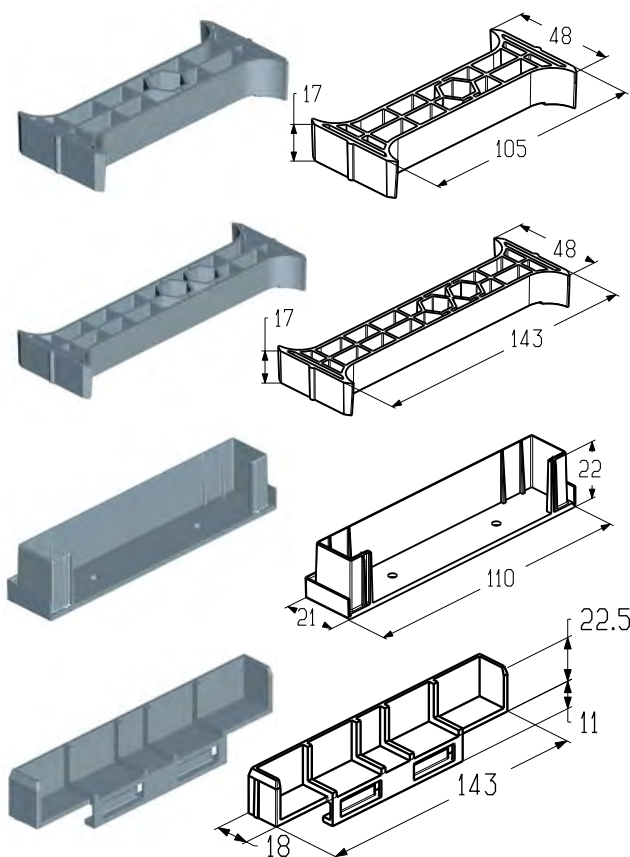
Предназначен для крепления комплекта нащельников (FWO100C) к угловому профилю (PRG32LL/R, PRG02LL/R).
Входит в состав комплекта встроенного монтажа FWO100.
Используется в гаражных воротах низкого типа монтаж и серии Standard.

Состав комплекта:

- сухарь для крепления боковых нащельников (8 шт.);
- сухарь для крепления профиля переднего (4 шт.);
- заглушка для нащельников (4 шт.);
- заглушка для верхнего нащельника (2 шт.).

Вес, кг/шт.0,529
Единица измеренияшт.
Норма поставки, шт. 1

Арт.	Код	Розничная цена, евро с НДС
FWO100F	402950800	34,00



Комплект крепежный

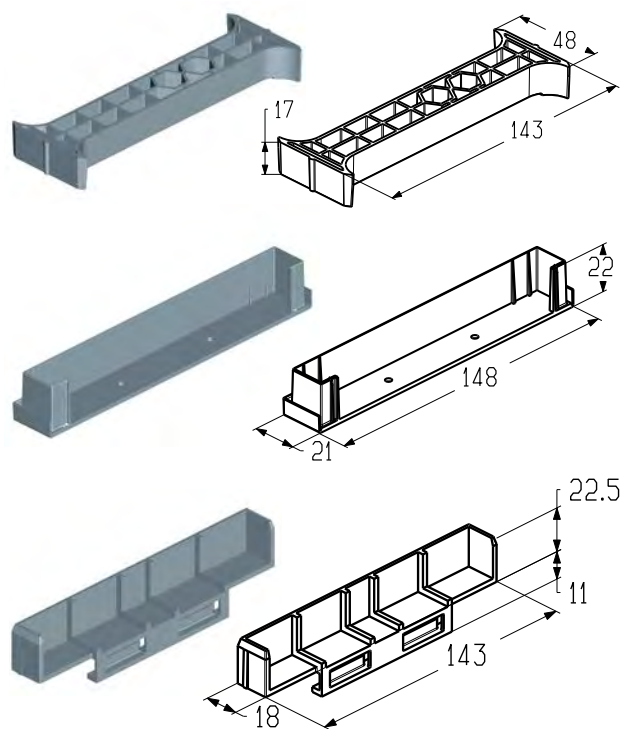
Предназначен для крепления комплекта нащельников (FWO145C) к угловому профилю (PRG32LL/R, PRG02LL/R).
Входит в состав комплекта встроенного монтажа FWO145.
Используется в гаражных воротах низкого типа монтаж и серии Standard.

Состав комплекта:

- сухарь для крепления верхнего и боковых нащельников (12 шт.);
- заглушка для нащельников (4 шт.);
- заглушка для верхнего нащельника (2 шт.).

Вес, кг/шт.0,584
Единица измеренияшт.
Норма поставки, шт. 1

Арт.	Код	Розничная цена, евро с НДС
FWO145F	402951200	40,00



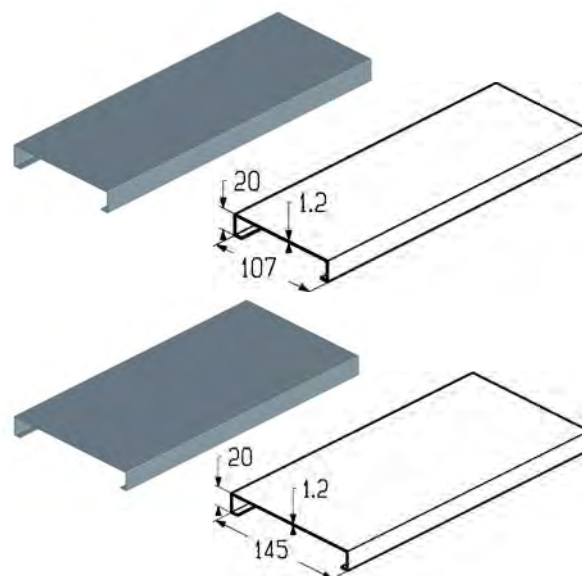
Комплект нащельников

Предназначен для установки совместно с угловым профилем (PRG32LL/R, PRG02LL/R).
Входит в состав комплекта встроенного монтажа FWO100.
Используется в гаражных воротах низкого типа монтаж и серии Standard.
Состав комплекта:

- профиль воротный арт. PRD33 (боковой нащельник 2 шт.);
- профиль воротный арт. PRD34 (верхний нащельник 1 шт.).

Материал.....Алюминий
Покрытие.....Полимерное
Цвет.....RAL9016, RAL8014, ADS703
Единица измеренияк-т
Норма поставки, к-т..... 1

Арт.	Код	Розничная цена, евро с НДС
FWO100C	402950900	119,00

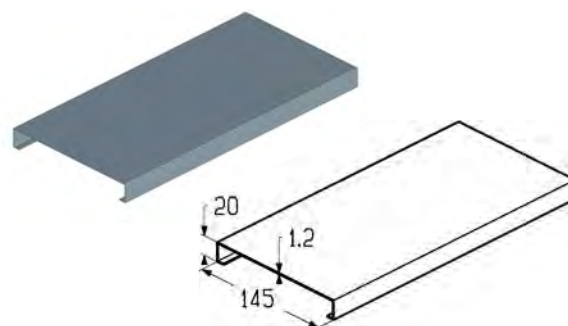


Комплект нащельников

Предназначен для установки совместно с угловым профилем (PRG32LL/R, PRG02LL/R).
Входит в состав комплекта встроенного монтажа FWO145.
Используется в гаражных воротах низкого типа монтаж и серии Standard.
Состав комплекта: профиль воротный арт. PRD34 (верхний нащельник 1 шт., боковой нащельник 2 шт.).

Материал.....Алюминий
Покрытие.....Полимерное
Цвет.....RAL9016, RAL8014, ADS703
Единица измеренияк-т
Норма поставки, к-т..... 1

Арт.	Код	Розничная цена, евро с НДС
FWO145C	402951300	138,00

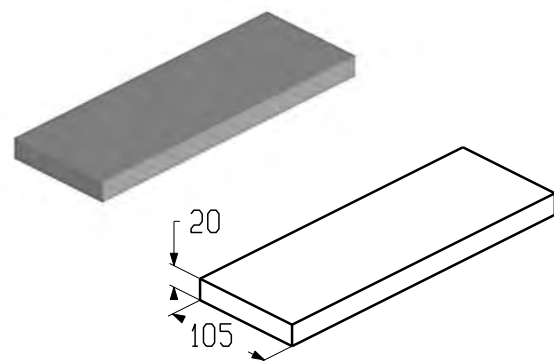


Утеплитель

Предназначен для установки совместно с комплектом нащельников (FWO100C).

Материал..... вспененный полиэтилен
Вес, кг/м.....0,07
Единица измеренияМ
Норма поставки, м50

Арт.	Код	Розничная цена, евро с НДС
FWO100H	402951700	6,30



ДОПОЛНИТЕЛЬНАЯ КОМПЛЕКТАЦИЯ

Уплотнитель

Предназначен для установки совместно с комплектом нащельников (FWO145C).

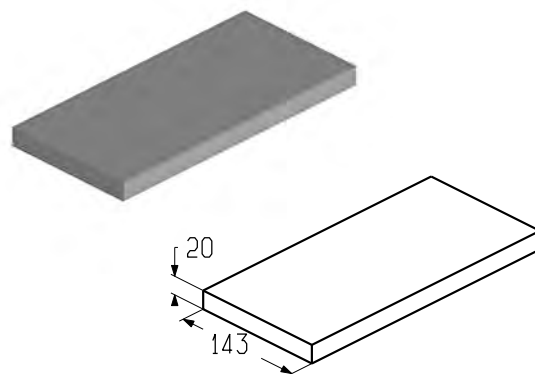
Материал..... вспененный полиэтилен

Вес, кг/м.....0,1

Единица измеренияМ

Норма поставки, м50

Арт.	Код	Розничная цена, евро с НДС
FWO145H	402951800	8,50



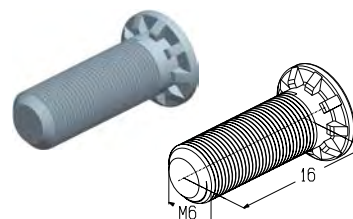


МЕТИЗЫ

Болт М6×16

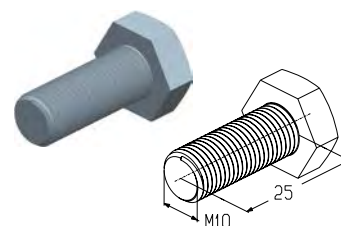
Резьба М6
 Длина, мм 16
 Материал оцинкованная сталь
 Вес, кг/шт. 0,007
 Единица измерения шт.
 Норма поставки, шт. 5000

Арт.	Код	Розничная цена, евро с НДС
M6x16BP	408320100	0,20


Болт М10×25

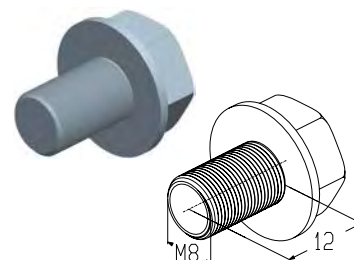
Резьба М10
 Длина, мм 25
 Материал оцинкованная сталь
 Вес, кг/шт. 0,025
 Единица измерения шт.
 Норма поставки, шт. 1000

Арт.	Код	Розничная цена, евро с НДС
M10x25B	408320200	0,50


Болт

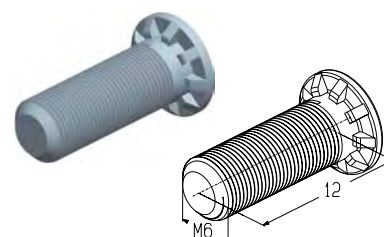
Резьба М8
 Длина, мм 12
 Материал оцинкованная сталь
 Вес, кг/шт. 0,01
 Единица измерения шт.
 Норма поставки, шт. 1800

Арт.	Код	Розничная цена, евро с НДС
M8x12B	408320300	0,25


Пресс-болт

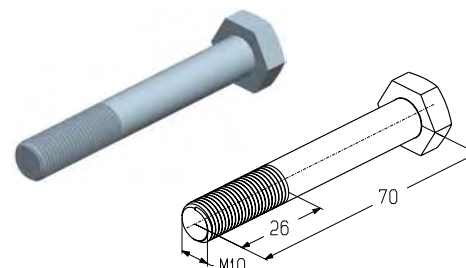
Резьба М6
 Длина, мм 12
 Материал оцинкованная сталь
 Вес, кг/шт. 0,024
 Единица измерения шт.
 Норма поставки, шт. 10000

Арт.	Код	Розничная цена, евро с НДС
M6x12BP	408320500	0,10


Болт

Резьба М10
 Длина, мм 70
 Материал оцинкованная сталь
 Вес, кг/шт. 0,05
 Единица измерения шт.
 Норма поставки, шт. 200

Арт.	Код	Розничная цена, евро с НДС
M10x70B	408320600	1,00

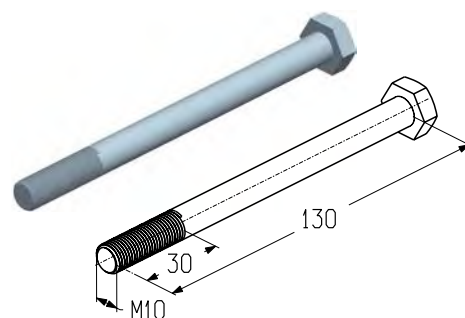


МЕТИЗЫ

Болт М10×130

Резьба М10
 Длина, мм 130
 Материал оцинкованная сталь
 Вес, кг/шт. 0,04
 Единица измерения шт.
 Норма поставки, шт. 260

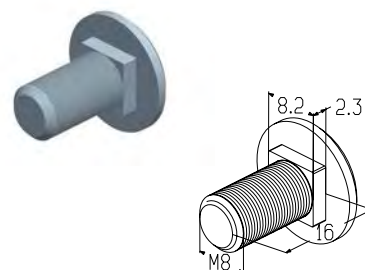
Арт.	Код	Розничная цена, евро с НДС
M10×130B	408320700	0,90



Болт М6×12

Резьба М8
 Длина, мм 16
 Материал оцинкованная сталь
 Вес, кг/шт. 0,006
 Единица измерения шт.
 Норма поставки, шт. 2500

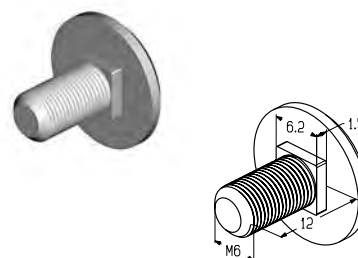
Арт.	Код	Материал	Норма поставки, шт.	Розничная цена, евро с НДС
M8×16BKL	408320800	Оцинкованная сталь	7500	0,15
M8×16BKL-SS	408310400	Нержавеющая сталь	6000	0,55



Болт

Резьба М6
 Длина, мм 12
 Материал оцинкованная сталь
 Вес, кг/шт. 0,008
 Единица измерения шт.
 Норма поставки, шт. 3000

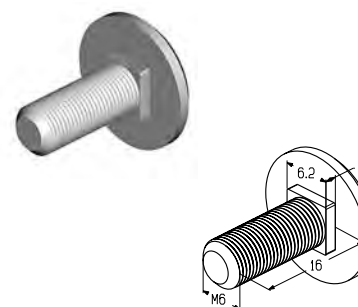
Арт.	Код	Розничная цена, евро с НДС
M6×12BKL	408321000	0,15



Болт

Резьба М6
 Длина, мм 16
 Материал оцинкованная сталь
 Вес, кг/шт. 0,006
 Единица измерения шт.
 Норма поставки, шт. 3500

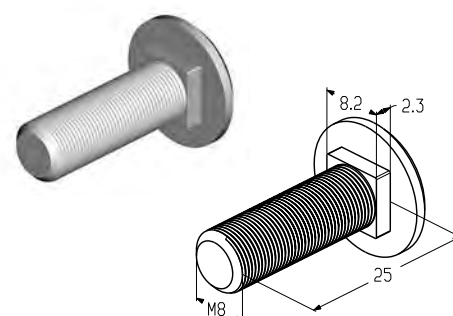
Арт.	Код	Розничная цена, евро с НДС
M6×16BKL	408310200	0,15



Болт

Резьба М8
 Длина, мм 25
 Материал оцинкованная сталь
 Вес, кг/шт. 0,01
 Единица измерения шт.
 Норма поставки, шт. 1500

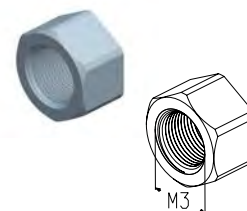
Арт.	Код	Розничная цена, евро с НДС
M8×25BKL	408310500	0,25



Гайка

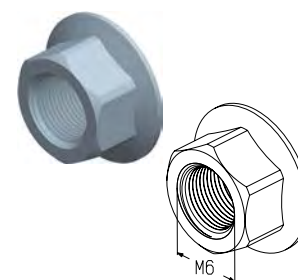
Резьба M3
 Материал оцинкованная сталь
 Вес, кг/шт. 0,0004
 Единица измерения шт.
 Норма поставки, шт. 1000

Арт.	Код	Розничная цена, евро с НДС
M3N	408120000	0,10


Гайка М6

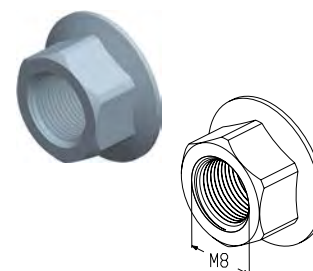
Резьба M6
 Вес, кг/шт. 0,003
 Единица измерения шт.

Арт.	Код	Материал	Норма поставки, шт.	Розничная цена, евро с НДС
M6N	408120100	Оцинкованная сталь	7500	0,10
M6N-SS	408110000	Нержавеющая сталь	6000	0,20


Гайка М8

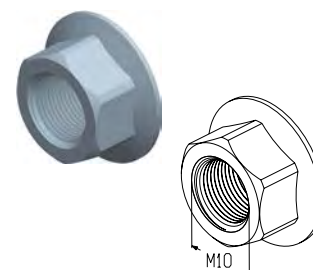
Резьба M8
 Материал оцинкованная сталь
 Вес, кг/шт. 0,007
 Единица измерения шт.
 Норма поставки, шт. 3500

Арт.	Код	Розничная цена, евро с НДС
M8N	408120200	0,10


Гайка М10

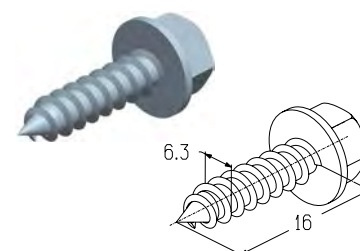
Резьба M10
 Материал оцинкованная сталь
 Вес, кг/шт. 0,013
 Единица измерения шт.
 Норма поставки, шт. 2000

Арт.	Код	Розничная цена, евро с НДС
M10N	408120300	0,20


Винт самонарезающий 6.3×16

Диаметр, мм 6,3
 Длина, мм 16
 Материал оцинкованная сталь
 Вес, кг/шт. 0,006
 Единица измерения шт.
 Норма поставки, шт. 3500

Арт.	Код	Розничная цена, евро с НДС
6,3×16S	408020100	0,10

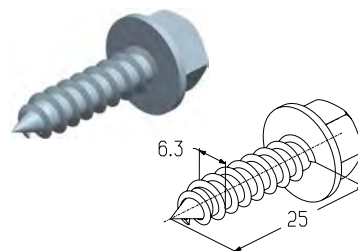


МЕТИЗЫ

Винт самонарезающий 6.3×25

Диаметр, мм 6,3
 Длина, мм 25
 Материал нержавеющая сталь
 Вес, кг/шт. 0,008
 Единица измерения шт.
 Норма поставки, шт. 2000

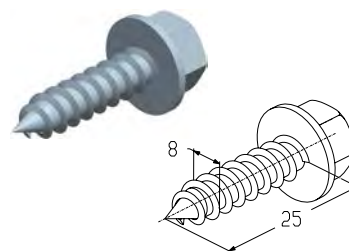
Арт.	Код	Розничная цена, евро с НДС
6,3×25S-SS	408010000	1,00



Винт самонарезающий

Диаметр, мм 8
 Длина, мм 25
 Материал оцинкованная сталь
 Вес, кг/шт. 0,0014
 Единица измерения шт.
 Норма поставки, шт. 1000

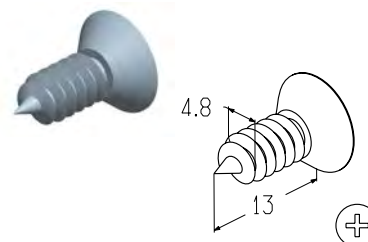
Арт.	Код	Розничная цена, евро с НДС
8×25S	408020200	0,20



Винт самонарезающий DIN7982

Диаметр, мм 4,8
 Длина, мм 9,5
 Материал оцинкованная сталь
 Вес, кг/шт. 0,25
 Единица измерения шт.
 Норма поставки, шт. 13000

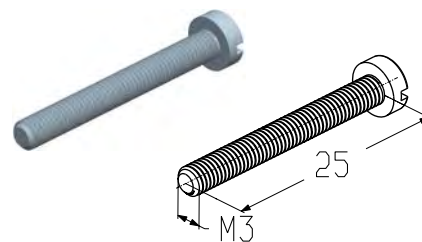
Арт.	Код	Розничная цена, евро с НДС
4,8×9,5SDX	408620000	0,20



Винт

Резьба M3
 Длина, мм 25
 Материал оцинкованная сталь
 Вес, кг/шт. 0,001
 Единица измерения шт.
 Норма поставки, шт. 2000

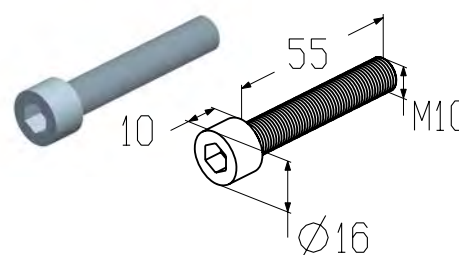
Арт.	Код	Розничная цена, евро с НДС
M3×25S	408020400	0,10



Винт DIN912

Резьба M10
 Длина, мм 55
 Материал оцинкованная сталь
 Вес, кг/шт. 0,02
 Единица измерения шт.
 Норма поставки, шт. 1000

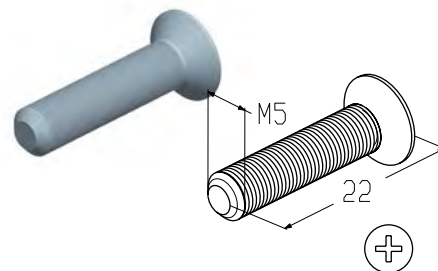
Арт.	Код	Розничная цена, евро с НДС
M10×55COL	408020800	0,55



Винт DIN965

Резьба M5
 Длина, мм 22
 Материал оцинкованная сталь
 Вес, кг/шт. 0,003
 Единица измерения шт.
 Норма поставки, шт. 800

Арт.	Код	Розничная цена, евро с НДС
M5×22SDX	408020900	0,10



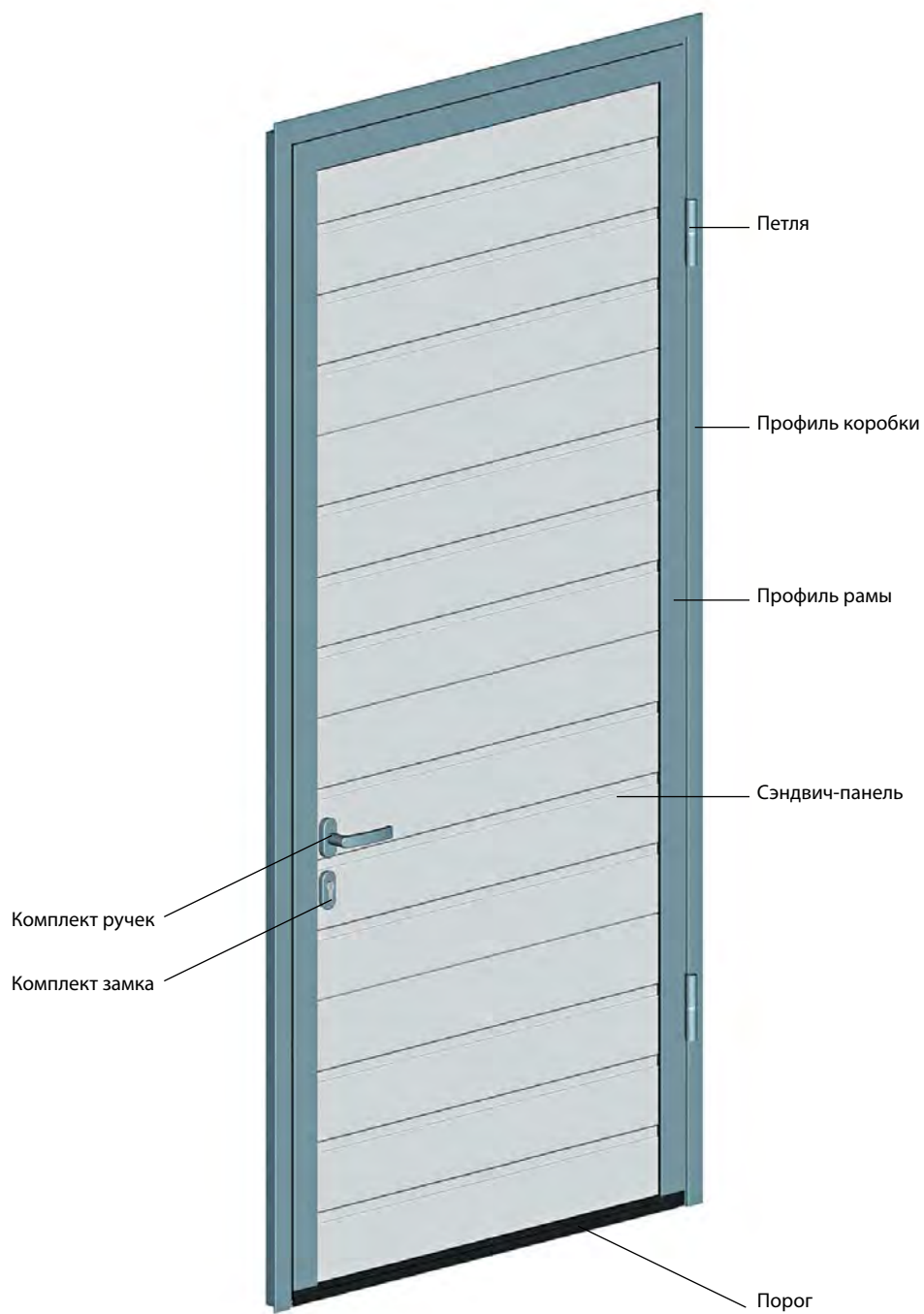


БОКОВАЯ ДВЕРЬ

БОКОВАЯ ДВЕРЬ

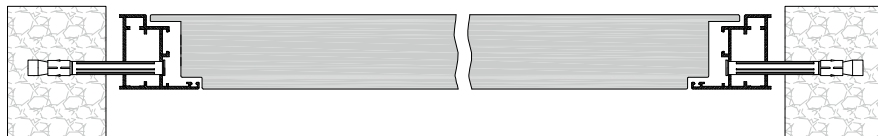
7

КОНСТРУКЦИЯ БОКОВОЙ ДВЕРИ

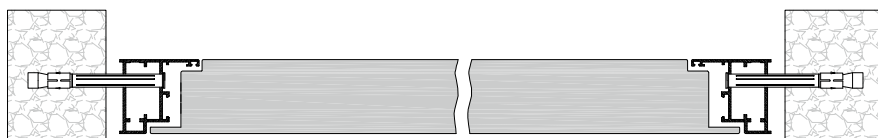


ТИПЫ МОНТАЖА БОКОВОЙ ДВЕРИ

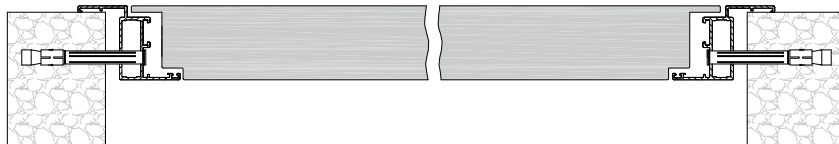
Встроенный монтаж тип 1



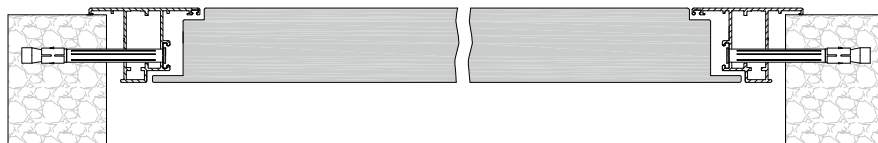
Встроенный монтаж тип 2



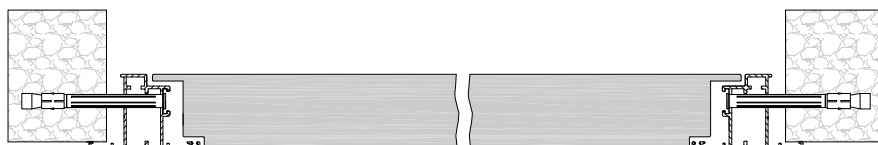
Встроенный монтаж тип 3



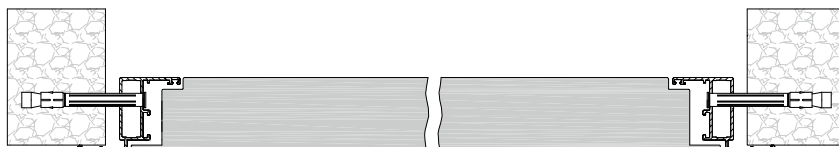
Встроенный монтаж тип 4



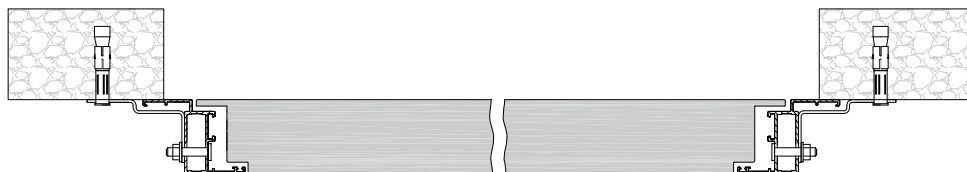
Встроенный монтаж тип 5



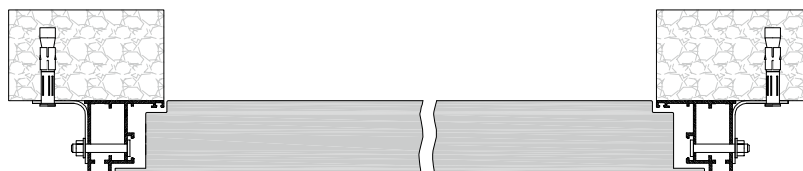
Встроенный монтаж тип 6



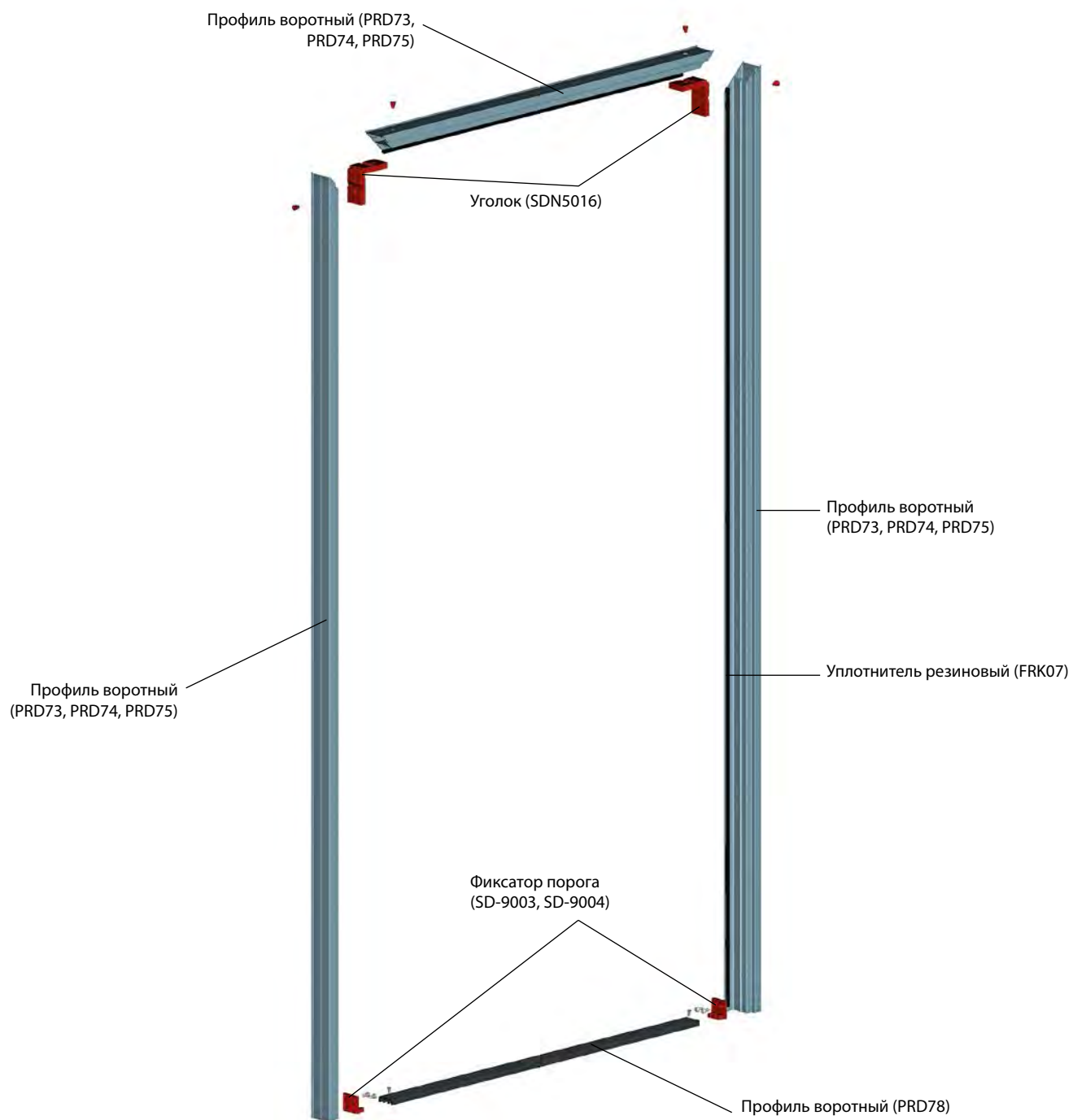
Монтаж за проемом тип 1



Монтаж за проемом тип 2



КОРОБКА БОКОВОЙ ДВЕРИ



ПРОФИЛИ И КОМПЛЕКТУЮЩИЕ КОРОБКИ БОКОВОЙ ДВЕРИ

Профиль воротный

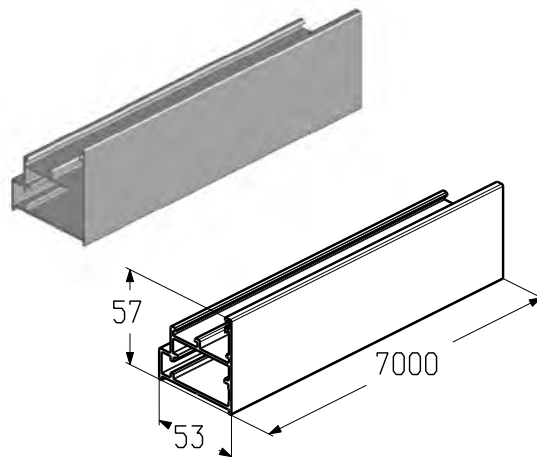
Предназначен для изготовления коробки двери.

Используется в двери:

- со встроенным типом монтажа тип 1 и 2;
- с монтажом за проем тип 2.

Материал.....алюминий
 Длина, мм..... 7000
 Вес, кг/м..... 1,097
 Единица измерения.....м
 Норма поставки, м..... 28

Арт.	Код	Цвет	Розничная цена, евро с НДС
PRD73	404390112	близкий RAL9016	16,00
	404390111	близкий RAL9006	16,00
	404390133	близкий RAL8019	16,00



7

Профиль воротный

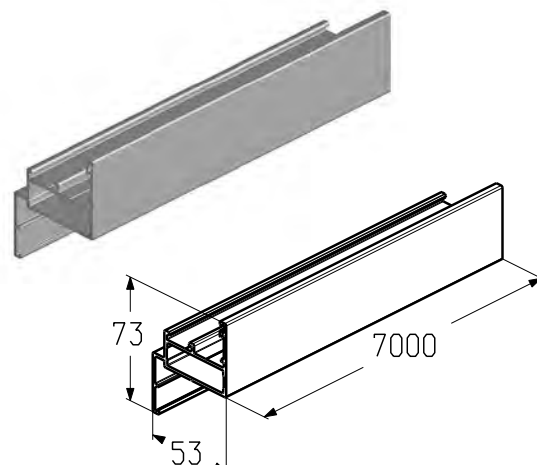
Предназначен для изготовления коробки двери.

Используется в двери:

- со встроенным типом монтажа тип 3 и 6;
- с монтажом за проем тип 1.

Материал.....алюминий
 Длина, мм..... 7000
 Вес, кг/м..... 1,027
 Единица измерения.....м
 Норма поставки, м..... 28

Арт.	Код	Цвет	Розничная цена, евро с НДС
PRD74	404390212	близкий RAL9016	16,00
	404390211	близкий RAL9006	16,00
	404390233	близкий RAL8019	16,00



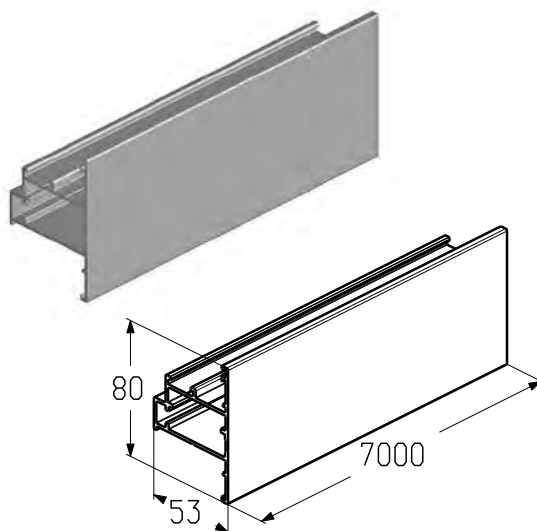
Профиль воротный

Предназначен для изготовления коробки двери.

Используется в двери со встроенным типом монтажа тип 4 и 5.

Материал.....алюминий
 Длина, мм..... 7000
 Вес, кг/м..... 1,25
 Единица измерения.....м
 Норма поставки, м..... 28

Арт.	Код	Цвет	Розничная цена, евро с НДС
PRD75	404390312	близкий RAL9016	19,00
	404390311	близкий RAL9006	19,00
	404390333	близкий RAL8019	19,00

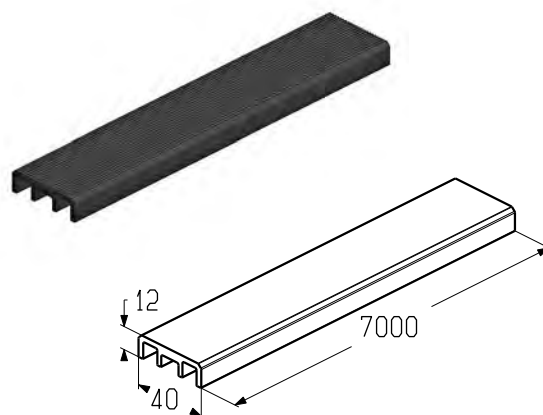


ПРОФИЛИ И КОМПЛЕКТУЮЩИЕ КОРОБКИ БОКОВОЙ ДВЕРИ
Профиль воротный

Выполняет функцию порога.

 Покрытие..... порошковое
 Цвет..... близкий RAL9005
 Длина, мм 7000
 Вес, кг/м..... 0,625
 Единица измерения м
 Норма поставки, м 42

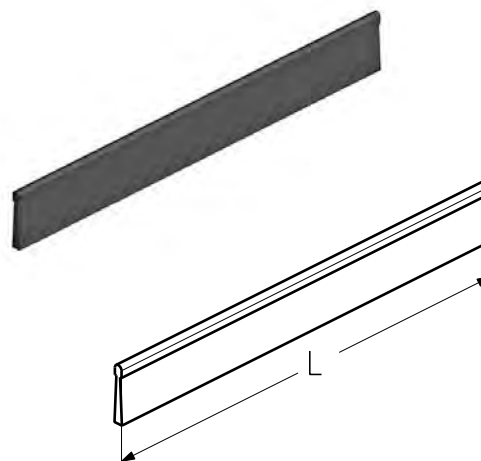
Арт.	Код	Розничная цена, евро с НДС
PRD78	404390330	10,00


Вставка-щетка

Предназначена для герметизации нижней части проема боковой двери.

 Вес, кг/м..... 0,023
 Единица измерения м
 Норма поставки, м 300

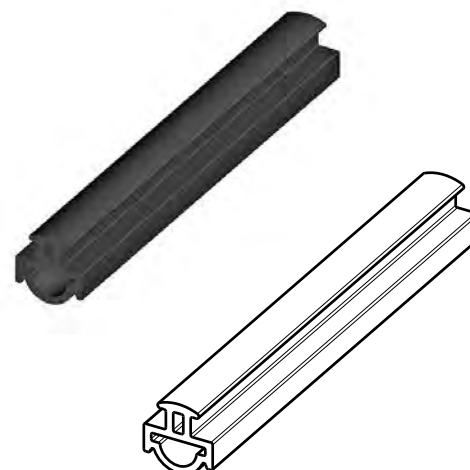
Арт.	Код	Розничная цена, евро с НДС
BS11	404407000	15,00


Уплотнитель резиновый

 Предназначен для уплотнения проема боковой двери.
 Устанавливается в профиль воротный (PRD73, PRD74, PRD75) и профиль воротный (PRD76, PRD77).

 Материал..... EPDM
 Вес, кг/м..... 0,055
 Единица измерения м
 Норма поставки, м 500

Арт.	Код	Розничная цена, евро с НДС
FRK07	10210600	0,30



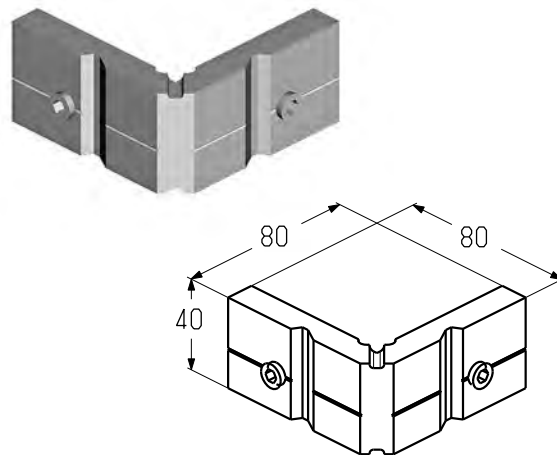
ПРОФИЛИ И КОМПЛЕКТУЮЩИЕ КОРОБКИ БОКОВОЙ ДВЕРИ

Уголок

Предназначен для установки совместно с профилем воротным (PRD76, PRD77).

Материал.....алюминий
Вес, кг/м.....0,185
Единица измеренияшт.

Арт.	Код	Розничная цена, евро с НДС
SDN5016	404910900	5,60



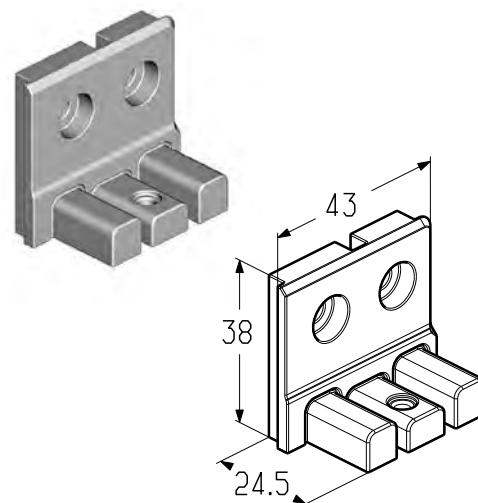
7

Фиксатор порога

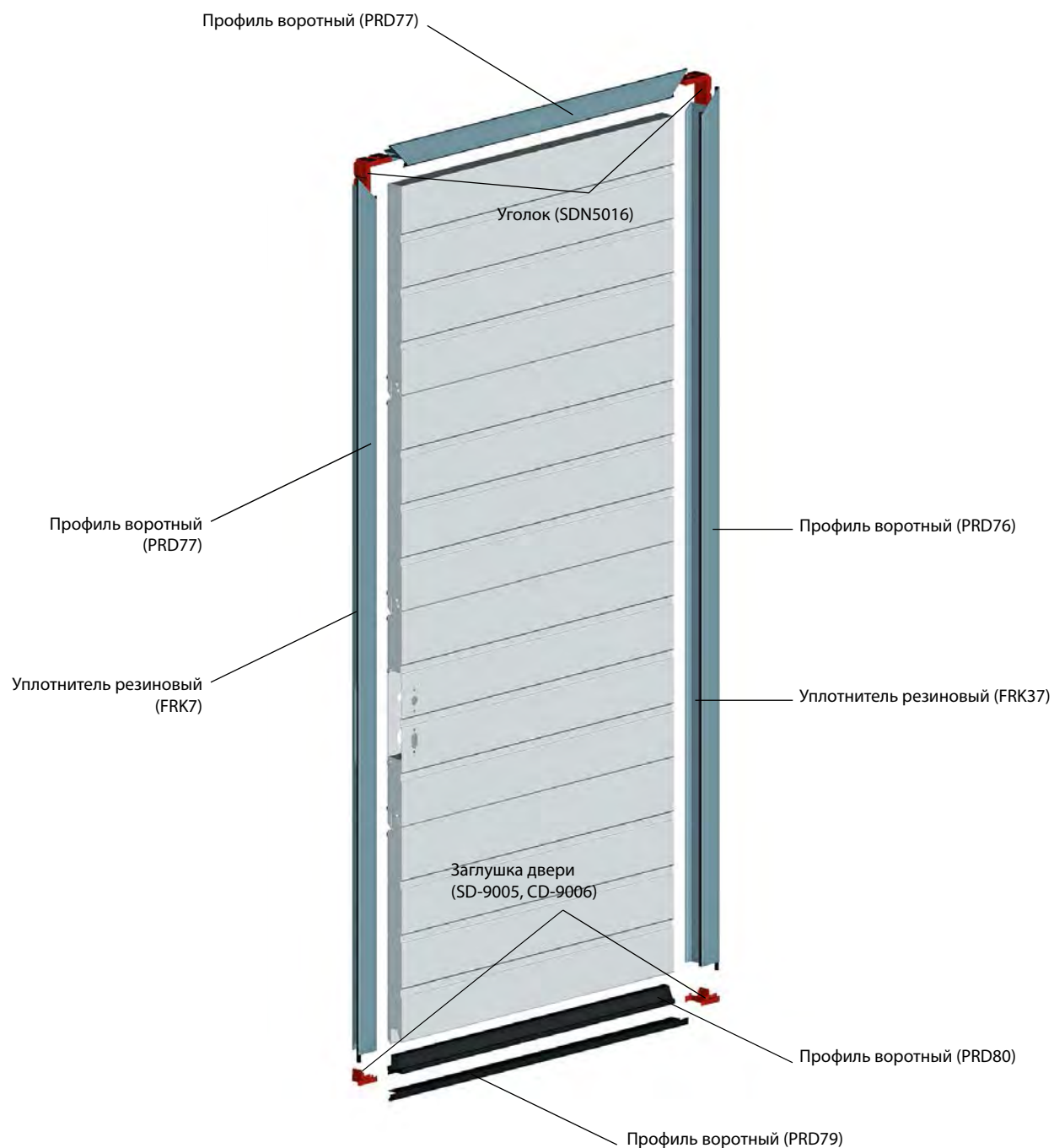
Предназначен для установки совместно с профилем воротным (PRD76, PRD 77 и PRD78).

Материал.....полиамид
Вес, кг/м.....0,011
Единица измеренияшт.

Арт.	Код	Примечание	Розничная цена, евро с НДС
SD-9003	404910400	Правый	0,90
SD-9004	404910500	Левый	0,90



РАМА БОКОВОЙ ДВЕРИ



7

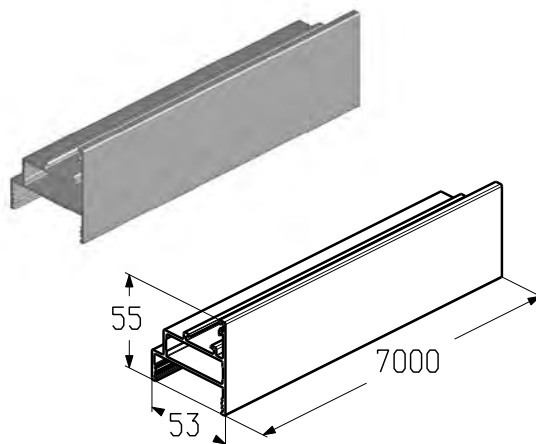
ПРОФИЛИ И КОМПЛЕКТУЮЩИЕ РАМЫ БОКОВОЙ ДВЕРИ

Профиль воротный

Предназначен для изготовления рамы боковой двери.
Используется в двери всех типов монтажа.

Материалалюминий
Длина, мм..... 7000
Вес, кг/м.....1,01
Единица измерения м
Норма поставки, м 28

Арт.	Код	Цвет	Розничная цена, евро с НДС
PRD76	404390412	близкий RAL9016	15,00
	404390411	близкий RAL9006	15,00
	404390433	близкий RAL8019	15,00



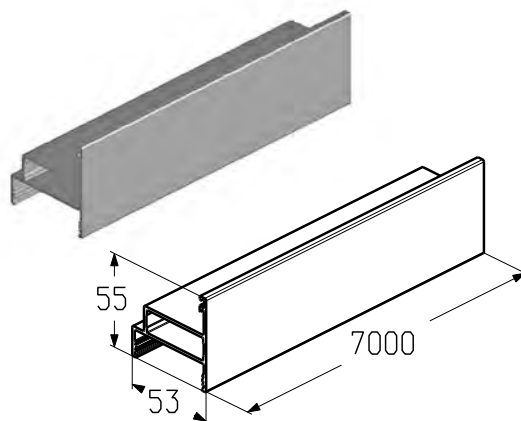
7

Профиль воротный

Предназначен для изготовления рамы боковой двери.
Используется в двери всех типов монтажа.

Материалалюминий
Длина, мм..... 7000
Вес, кг/м.....0,93
Единица измерения м
Норма поставки, м 28

Арт.	Код	Цвет	Розничная цена, евро с НДС
PRD77	404390512	близкий RAL9016	14,00
	404390511	близкий RAL9006	14,00
	404390533	близкий RAL8019	14,00

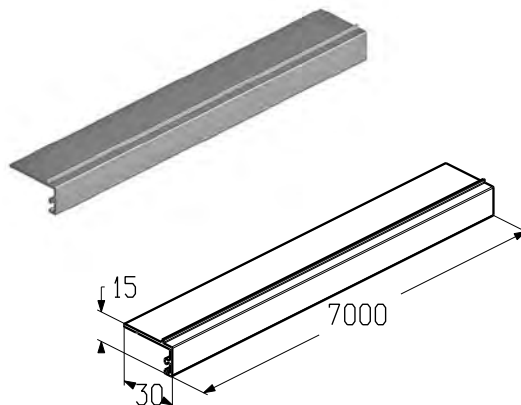


Профиль воротный

Предназначен для изготовления рамы боковой двери.
Используется в двери всех типов монтажа.

Материалалюминий
Цвет близкий RAL9005
Длина, мм 7000
Вес, кг/м 0,226
Единица измерения м
Норма поставки, м 112

Арт.	Код	Розничная цена, евро с НДС
PRD79	404390430	4,00

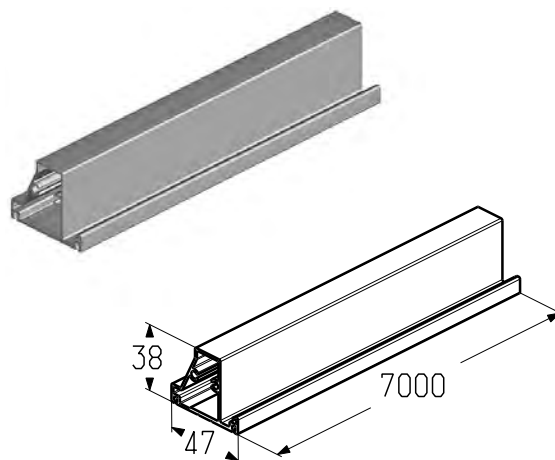


ПРОФИЛИ И КОМПЛЕКТУЮЩИЕ РАМЫ БОКОВОЙ ДВЕРИ
Профиль воротный

Предназначен для изготовления рамы боковой двери.
Используется в двери всех типов монтажа.

Материалалюминий
 Цвет близкий RAL9005
 Длина, мм..... 7000
 Вес, кг/м.....0,85
 Единица измерения м
 Норма поставки, м 28

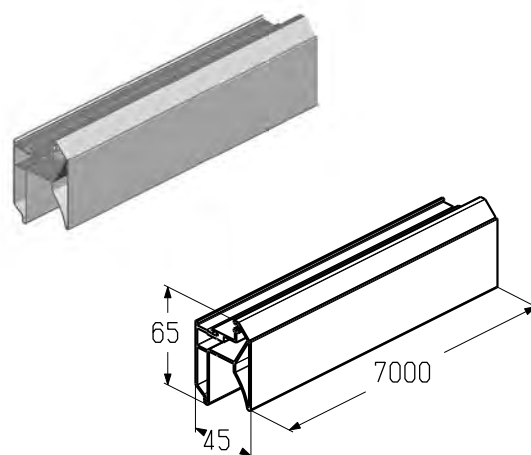
Арт.	Код	Розничная цена, евро с НДС
PRD80	404390530	13,00


Профиль воротный

Предназначен для изготовления рамы боковой двери.
Используется в двери с панорамным полотном AluLine всех типов монтажа.

Материалалюминий
 Длина, мм..... 7000
 Вес, кг/м.....1,12
 Единица измерения м
 Норма поставки, м 28

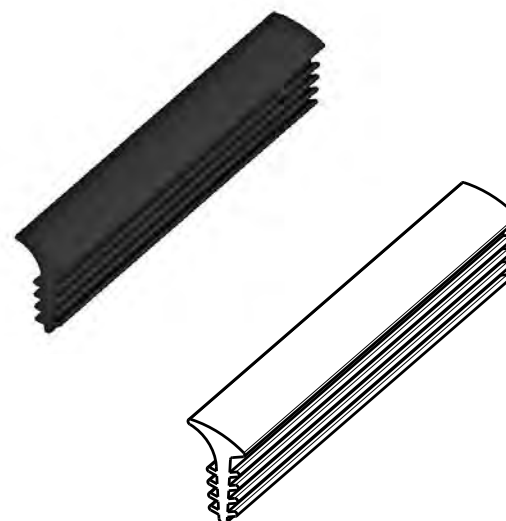
Арт.	Код	Цвет	Розничная цена, евро с НДС
PRD68	404390611	близкий RAL9006	
	404390612	близкий RAL9016	
	404390117	близкий RAL8014	
	404390114	близкий RAL5010	


Уплотнитель резиновый

Предназначен для уплотнения заполнения боковой двери.
Устанавливается в профиль воротный профиль воротный (PRD76, PRD77).

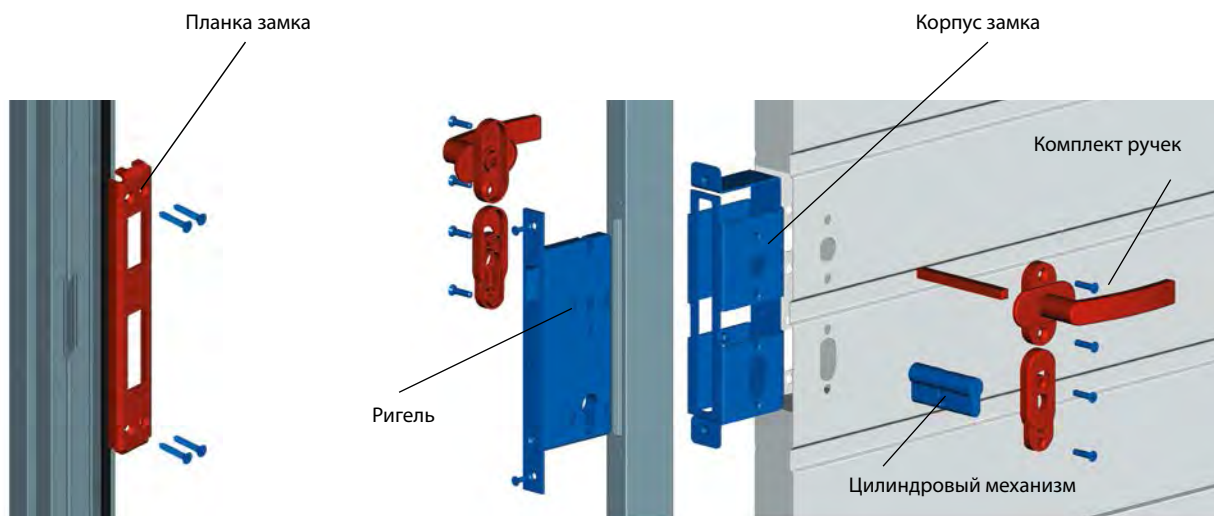
МатериалEPDM
 Вес, кг/м.....0,027
 Единица измерения м
 Норма поставки, м 600

Арт.	Код	Розничная цена, евро с НДС
FRK37	10415400	0,30



АКСЕССУАРЫ

УСТАНОВКА ЗАМКА ДВЕРИ

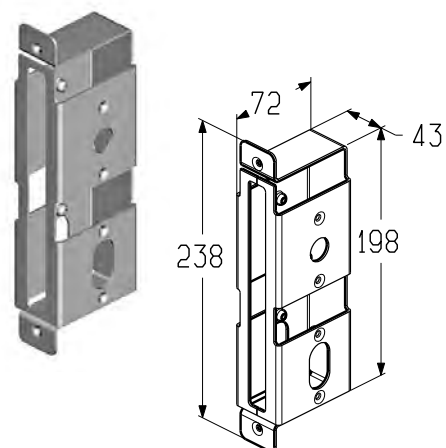


Корпус замка

Предназначен для установки ригеля (WL0202).

Материал оцинкованная сталь
 Вес, кг/шт. 0,533
 Единица измерения шт.
 Норма поставки, шт. 26

Арт.	Код	Розничная цена, евро с НДС
SD-9000	404910100	6,00

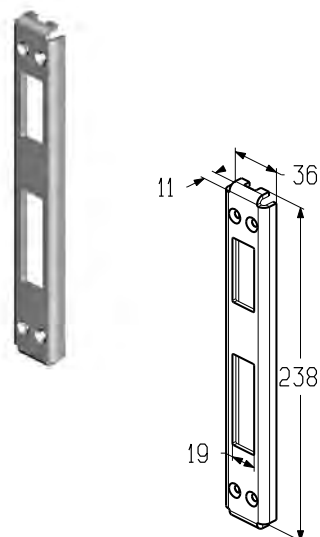


Планка замка

Предназначена для установки совместно с профилем воротным (PRD77).

Материал оцинкованная сталь
 Вес, кг/шт. 0,219
 Единица измерения шт.
 Норма поставки, шт. 200

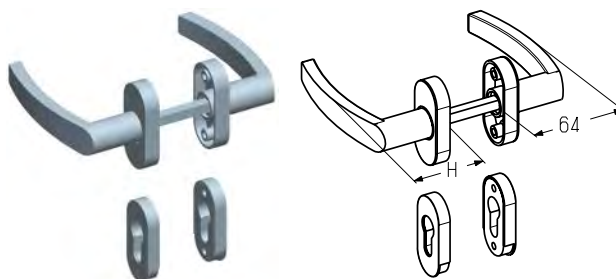
Арт.	Код	Розничная цена, евро с НДС
SD-9001	404910200	1,70



Комплект ручек

Предназначен для установки в калитку с плоским, стандартным и низким порогом.

Материал цинковый сплав
 Вес, кг/шт.0,9
 Единица измеренияшт.
 Норма поставки, шт.10



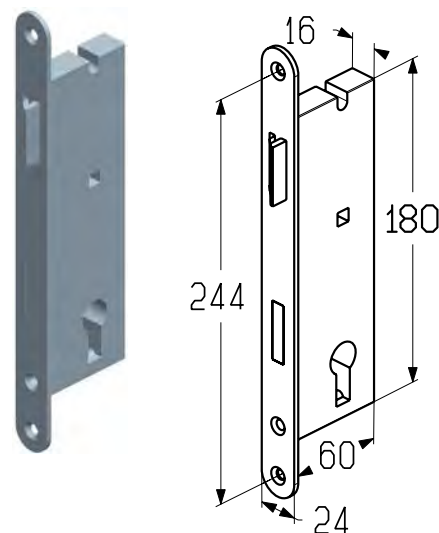
Арт.	Код	Покрытие	Цвет	Розничная цена, евро с НДС
WL2021-SLP	404410111	Порошковое	близкий RAL9006	32,60
WL2021-BR	404410133	Порошковое	близкий RAL8019	28,40
WL2021-WH	404410112	Порошковое	близкий RAL9016	28,40
WL2021	404410900	—	Неокрашенный	25,50
WL2021-BK	404410130	Порошковое	близкий RAL9005	32,60

Ригель

Предназначен для установки совместно с корпусом вкладным (WL0201).
 Используется в калитке с плоским, стандартным и низким порогом.

Вес, кг/шт.0,63
 Единица измеренияшт.
 Норма поставки, шт.10

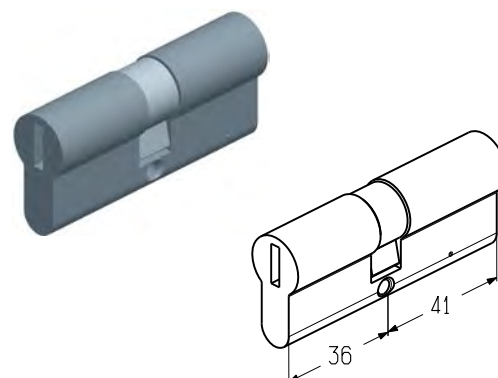
Арт.	Код	Розничная цена, евро с НДС
WL0202	404410300	46,00


Цилиндрический механизм 36/41 мм

Предназначен для установки совместно с ригелем (WL0202).
 Используется в калитке с плоским, стандартным и низким порогом.

Вес, кг/шт.0,264
 Единица измеренияшт.
 Норма поставки, шт.10

Арт.	Код	Розничная цена, евро с НДС
C-36/41	404410500	16,40



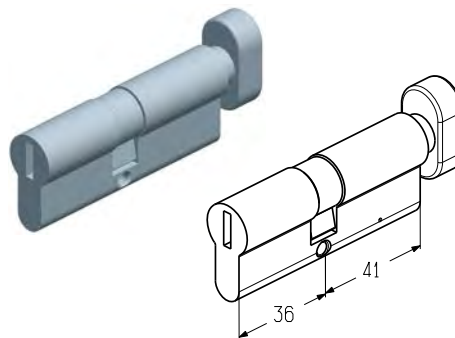
БОКОВАЯ ДВЕРЬ

Цилиндровый механизм 36/41 мм

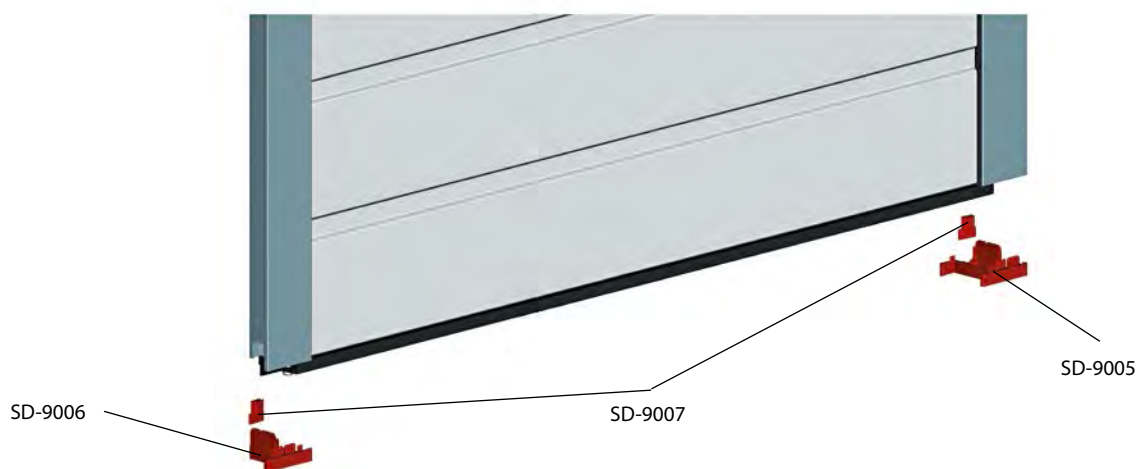
Предназначен для установки совместно с ригелем (WL0202).
Используется в калитке с плоским, стандартным и низким порогом.

Вес, кг/шт.....0,294
Единица измерения.....шт.
Норма поставки, шт.....10

Арт.	Код	Розничная цена, евро с НДС
C-36/41M	404410700	16,40



УСТАНОВКА ЗАГЛУШЕК



Заглушка двери

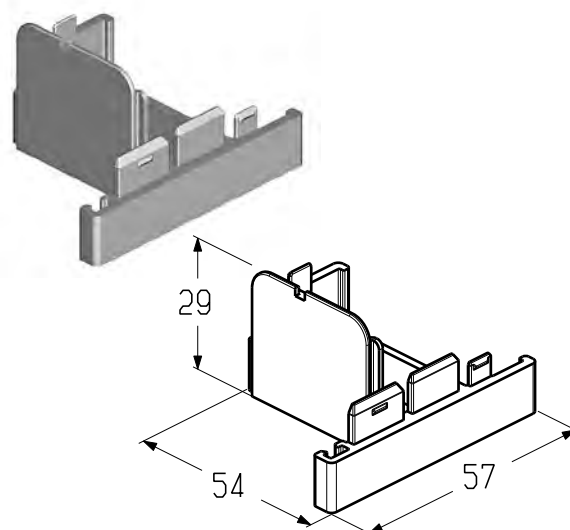
Предназначена для установки совместно с профилем воротным (PRD76, PRD 77 и PRD80).

Материалполиамид

Вес, кг/м.....0,001

Единица измеренияшт.

Арт.	Код	Примечание	Розничная цена, евро с НДС
SD-9005	404910600	Правая	0,70
SD-9006	404910700	Левая	0,70



Вставка уплотнительная

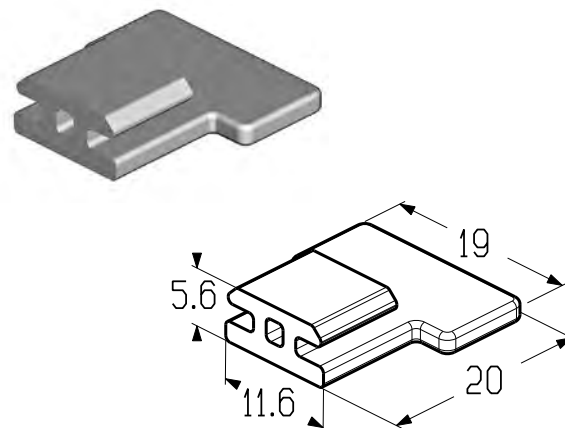
Предназначена для установки совместно с заглушкой двери (SD-9005, SD-9006).

МатериалEPDM

Вес, кг/шт.....0,001

Единица измеренияшт.

Арт.	Код	Розничная цена, евро с НДС
SD-9007	404910800	1,00



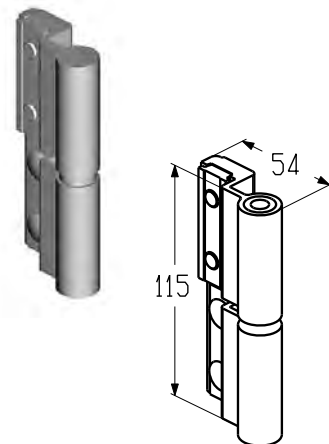
БОКОВАЯ ДВЕРЬ

Петля дверная

Предназначен для установки совместно с профилем воротным (PRD76 и PRD73, PRD744, PRD75).

Материалалюминий
Вес, кг/м.....0,31

Арт.	Код	Покрытие	Цвет	Розничная цена, евро с НДС
SDH1124	404911300	—	Неокрашенная	50,00
SDH1124-BR	404910133	Порошковое	близкий RAL8019	58,00
SDH1124-SL	404910111	Порошковое	близкий RAL9006	56,00
SDH1124-WH	404911200	Порошковое	близкий RAL9010	56,00



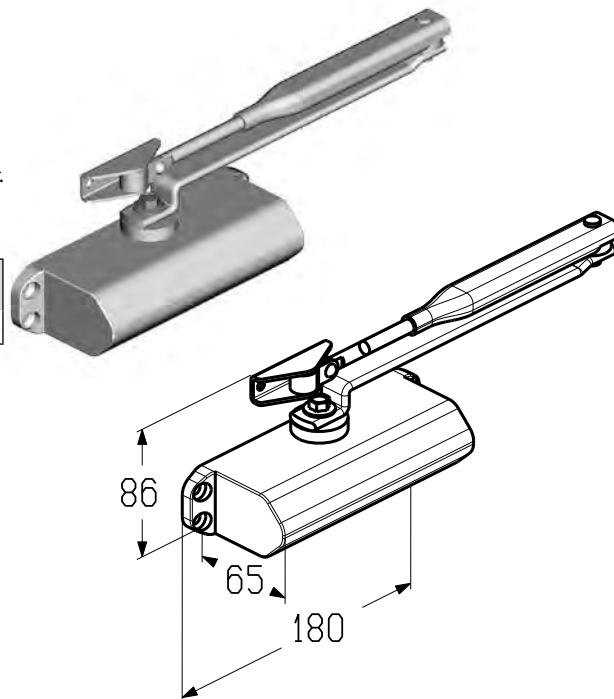
7

Доводчик дверной

Предназначен для автоматического закрывания боковой двери.

Вес, кг/шт. 2,26
Единица измеренияшт.
Норма поставки, шт. 1

Арт.	Код	Розничная цена, евро с НДС
Grand F-65	407740100	69,00

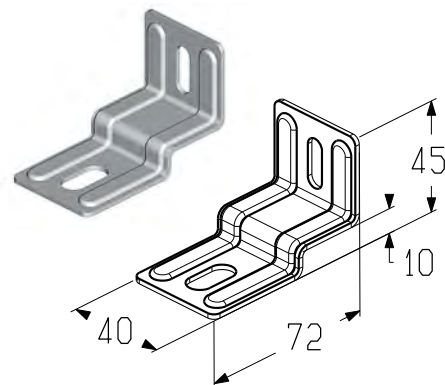


Кронштейн дверной

Предназначен для установки с профилем воротным PRD74.

Материалоцинкованная сталь
Вес, кг/шт.0,073
Единица измеренияшт.
Норма поставки, шт.50

Арт.	Код	Розничная цена, евро с НДС
SD-9009	404911800	9,40

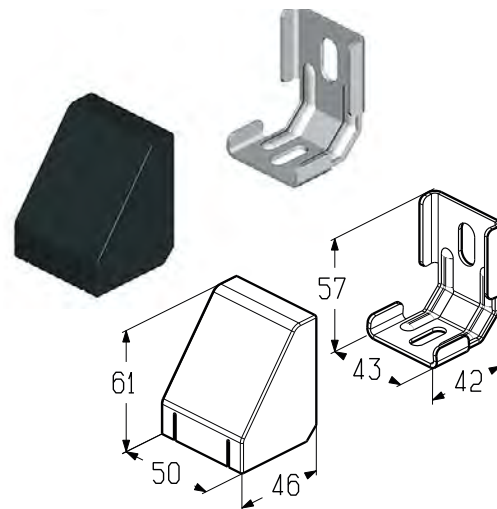


Кронштейн дверной

Предназначен для установки с профилем воротным PRD73.

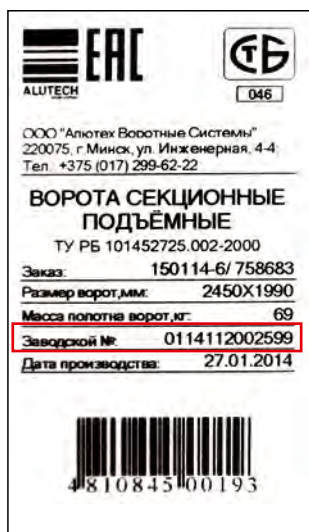
Материал.....оцинкованная сталь+ABS
 Вес, кг/шт.....1,2
 Единица измеренияшт.
 Норма поставки, шт.....50

Арт.	Код	Розничная цена, евро с НДС
SD-9010	404911900	29,20





РЕМОНТНЫЕ УЗЛЫ



ПРАВИЛА ПРИ ЗАКАЗЕ РЕМОНТНЫХ УЗЛОВ

В данной части каталога размещена информация о типовых ремонтных узлах для секционных ворот. Ремонтный узел является индивидуальным изделием, т.к. заказывается для конкретных ворот. В каталоге представлен типовой состав каждого ремонта, который может изменяться (но в пределах описанного состава) в зависимости от ворот, для которых он предназначен.

ПРИ ЗАКАЗЕ РЕМОНТНОГО УЗЛА НЕОБХОДИМО УКАЗАТЬ:

1. Заводской номер ворот, указанный на табличке изделия.
2. Описание требуемого ремонтного узла.
3. Артикул и наименование ремонтного узла.

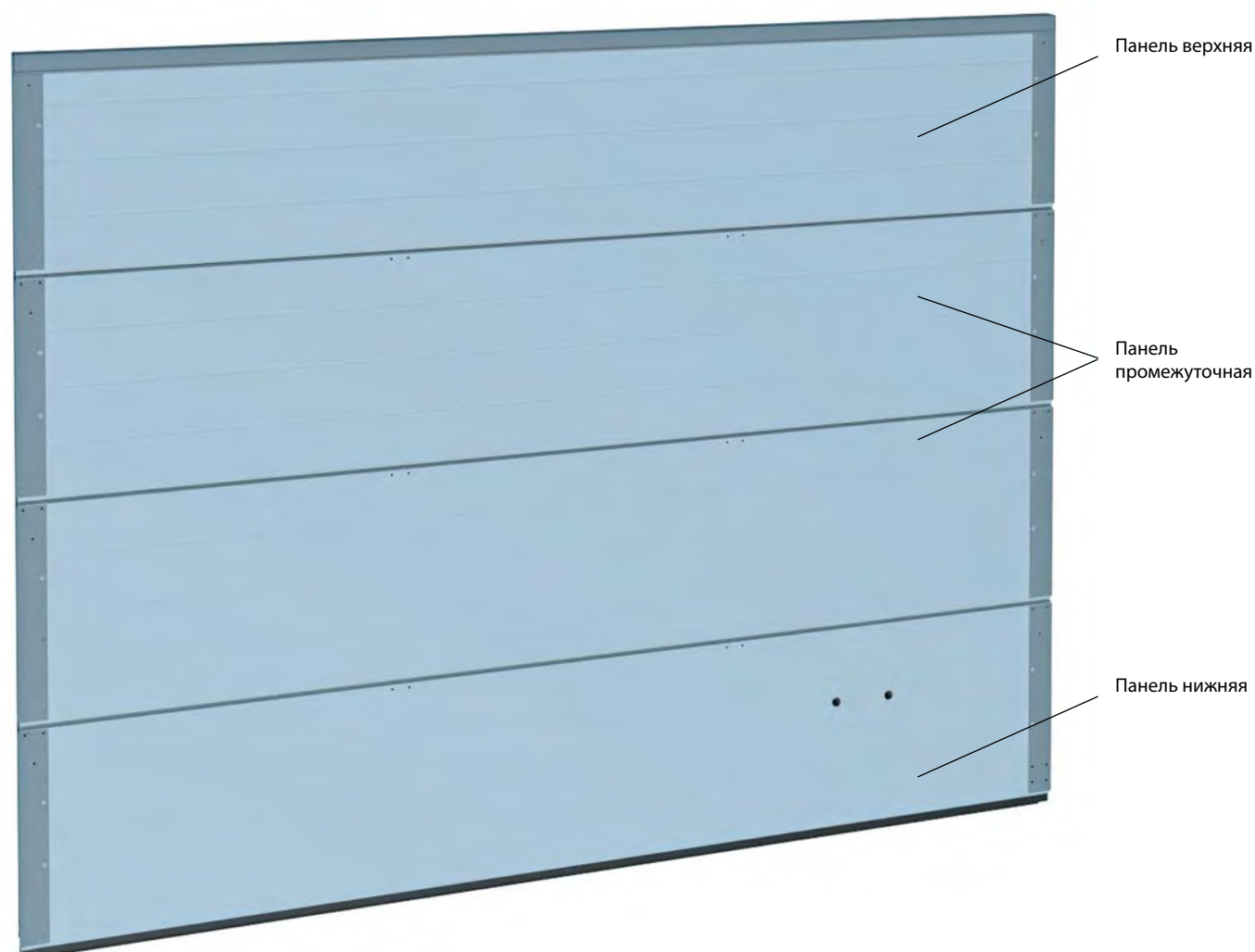
Бланк заказа ремонтных узлов размещен в приложении.

ФОРМИРОВАНИЕ ЦЕНЫ:

- Рекомендуемая розничная цена*=(цена в каталоге)×(коэффициент рем. узлов 0,85)
- Дилерская цена=(розничная цена)–(% скидки клиента).

* В каталоге указаны рекомендуемые розничные цены, которые не учитывают региональные наценки, стоимость доставки и замены комплектующей или узла на объекте заказчика.

ТИПОВАЯ КОНСТРУКЦИЯ ПОЛОТНА ВОРОТ БЕЗ КАЛИТКИ



ПОЛОТНО ВОРОТ БЕЗ КАЛИТКИ

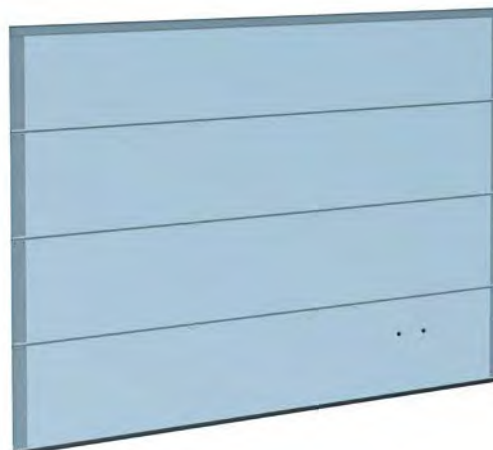
Полотно воротное

Тип ворот:

- гаражные ворота Classic с торсионными пружинами без калитки всех типов монтажа;
- гаражные ворота Classic с пружинами растяжения;
- промышленные ворота ProPlus без калитки всех типов монтажа.

Состав: сэндвич-панели с боковыми накладками, верхний и нижний концевой профиль, нижняя уплотнительная вставка, упоры нижние.

Единица измеренияшт.



Арт.	Тип полотна	Цвет*	Розничная цена, евро с НДС/м ²	
			Шириной до 5 м	Шириной свыше 5 м
GLG-3	«Микроволна», «S-гофр»	RAL9016, 8014, 9006, 5010, 1015, 3004, 6005, 8017, 7016, ADS703**	113,00	128,00
	«L-гофр»	RAL9016, 8014, 7016, ADS703**	113,00	128,00
	«M-гофр»	RAL9016, 8014, 7016**	113,00	128,00
	«S-гофр», «M-гофр» и «L-гофр»	Золотой дуб, Темный дуб, Вишня	130,00	148,00
	«Микроволна», «S-гофр», «M-гофр» и «L-гофр»	Другой цвет по каталогу RAL	+15% к стоимости стандартного цвета	
GLG-4	«Филенка»	RAL9016, 8014**	130,00	—
		Золотой дуб, Темный дуб	150,00	—
		Другой цвет по каталогу RAL	+15% к стоимости стандартного цвета	

* Указанные цвета имеют близкое соответствие шкале RAL.

** Стандартные цвета.

Панель нижняя

Тип ворот:

- гаражные ворота Classic с торсионными пружинами без калитки всех типов монтажа;
- гаражные ворота Classic с пружинами растяжения;
- промышленные ворота ProPlus без калитки всех типов монтажа.

Состав: нижняя сэндвич-панель с боковыми накладками, нижний концевой профиль, нижняя уплотнительная вставка, упоры нижние.

Единица измеренияшт.



Арт.	Тип полотна	Цвет*	Розничная цена, евро с НДС/м	
			Шириной до 5 м	Шириной свыше 5 м
LPU-27	«Микроволна», «S-гофр»	RAL9016, 8014, 9006, 5010, 1015, 3004, 6005, 8017, 7016, ADS703**	76,00	91,00
	«L-гофр»	RAL9016, 8014, 7016, ADS703**	76,00	91,00
	«M-гофр»	RAL9016, 8014, 7016**	76,00	91,00
	«S-гофр», «M-гофр» и «L-гофр»	Золотой дуб, Темный дуб, Вишня	88,00	105,00
	«Микроволна», «S-гофр», «M-гофр» и «L-гофр»	Другой цвет по каталогу RAL	+15% к стоимости стандартного цвета	
LPF-1	«Филенка»	RAL9016, 8014**	87,00	—
		Золотой дуб, Темный дуб	101,00	—
		Другой цвет по каталогу RAL	+15% к стоимости стандартного цвета	

* Указанные цвета имеют близкое соответствие шкале RAL.

** Стандартные цвета.

ПОЛОТНО ВОРОТ БЕЗ КАЛИТКИ
Панель промежуточная

Тип ворот:

- гаражные ворота Classic с торсионными пружинами без калитки всех типов монтажа;
- гаражные ворота Classic с пружинами растяжения;
- промышленные ворота ProPlus без калитки всех типов монтажа.

Состав: промежуточная сэндвич-панель с боковыми накладками.



Единица измеренияшт.

Арт.	Тип полотна	Цвет*	Розничная цена, евро с НДС/м	
			Шириной до 5 м	Шириной свыше 5 м
LPU-28	«Микроволна», «S-гофр»	RAL9016, 8014, 9006, 5010, 1015, 3004, 6005, 8017, 7016, ADS703**	62,00	76,00
	«L-гофр»	RAL9016, 8014, 7016, ADS703**	62,00	76,00
	«M-гофр»	RAL9016, 8014, 7016**	62,00	76,00
	«S-гофр», «M-гофр» и «L-гофр»	Золотой дуб, Темный дуб, Вишня	72,00	88,00
	«Микроволна», «S-гофр», «M-гофр» и «L-гофр»	Другой цвет по каталогу RAL	+15% к стоимости стандартного цвета	
LPF-2	«Филенка»	RAL9016, 8014**	71,00	—
		Золотой дуб, Темный дуб	82,00	—
		Другой цвет по каталогу RAL	+15% к стоимости стандартного цвета	—

* Указанные цвета имеют близкое соответствие шкале RAL.

** Стандартные цвета.

Панель верхняя

Тип ворот:

- гаражные ворота Classic с торсионными пружинами без калитки всех типов монтажа;
- гаражные ворота Classic с пружинами растяжения;
- промышленные ворота ProPlus без калитки всех типов монтажа.

Состав: верхняя сэндвич-панель с боковыми накладками, верхний концевой профиль, верхний уплотнитель (Classic высокий тип монтажа, ProPlus).



Единица измеренияшт.

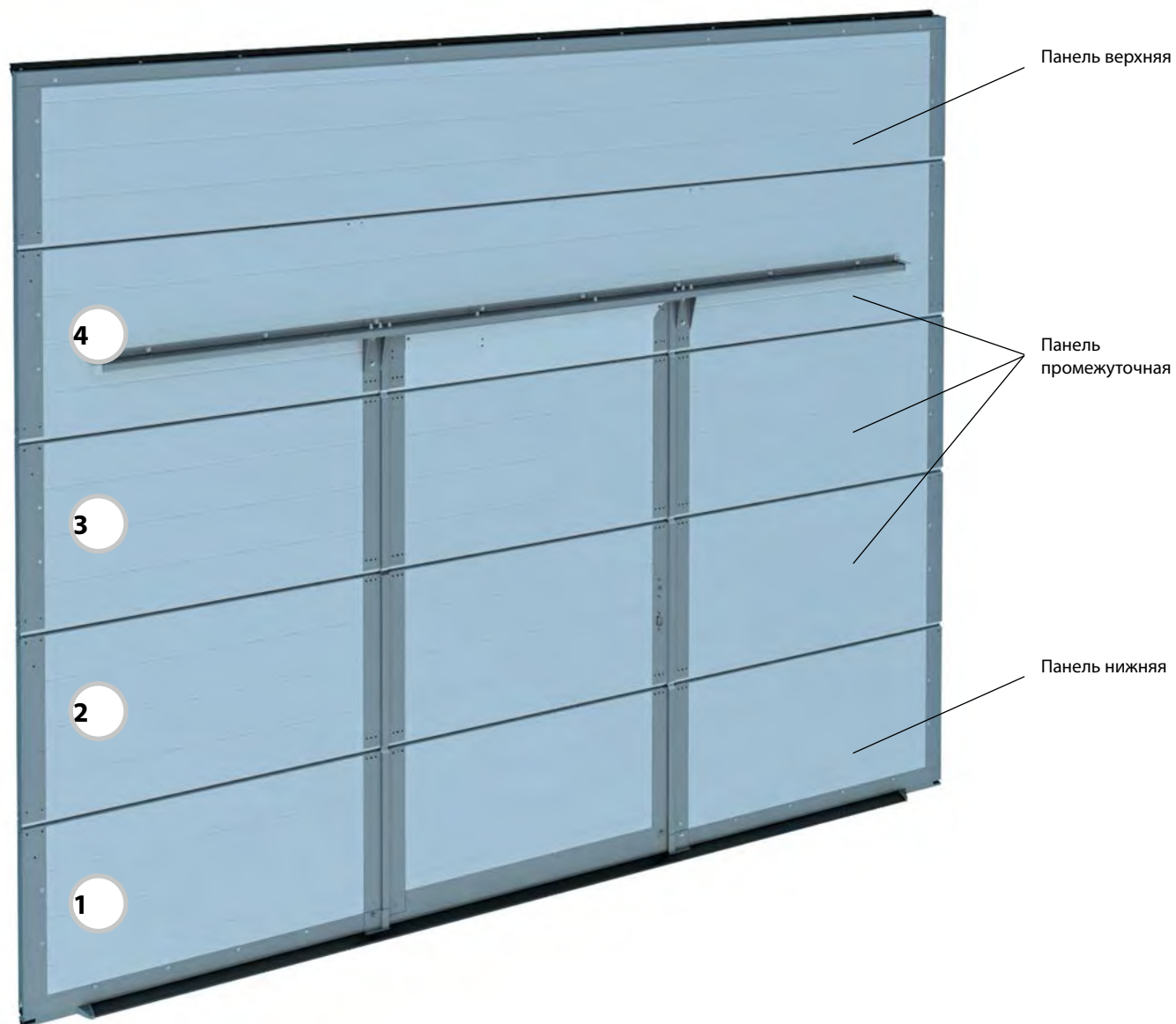
Арт.	Тип полотна	Цвет*	Розничная цена, евро с НДС/м	
			Шириной до 5 м	Шириной свыше 5 м
LPU-29	«Микроволна», «S-гофр»	RAL9016, 8014, 9006, 5010, 1015, 3004, 6005, 8017, 7016, ADS703**	69,00	83,00
	«L-гофр»	RAL9016, 8014, 7016, ADS703**	69,00	83,00
	«M-гофр»	RAL9016, 8014, 7016**	69,00	83,00
	«S-гофр», «M-гофр» и «L-гофр»	Золотой дуб, Темный дуб, Вишня	80,00	96,00
	«Микроволна», «S-гофр», «M-гофр» и «L-гофр»	Другой цвет по каталогу RAL	+15% к стоимости стандартного цвета	
LPF-3	«Филенка»	RAL9016, 8014**	79,00	—
		Золотой дуб, Темный дуб	91,00	—
		Другой цвет по каталогу RAL	+15% к стоимости стандартного цвета	—

* Указанные цвета имеют близкое соответствие шкале RAL.

** Стандартные цвета.

ПОЛОТНО ВОРОТ С КАЛИТКОЙ

ТИПОВАЯ КОНСТРУКЦИЯ ПОЛОТНА ВОРОТ СО ВСТРОЕННОЙ КАЛИТКОЙ
(НА ПРИМЕРЕ КАЛИТКИ С ПЛОСКИМ ПОРОГОМ С ПРАВЫМ ОТКРЫВАНИЕМ)



Полотно воротное

Тип ворот:

- гаражные ворота Classic с торсионными пружинами всех типов монтажа;
- промышленные ворота ProPlus всех типов монтажа.

Тип калитки: с плоским порогом 20 мм, с низким порогом 100 мм, со стандартным порогом 145 мм.

Состав: сэндвич-панели с боковыми накладками, верхний и нижний концевой профиль, нижняя уплотнительная вставка, комплект калиточных профилей и замок калитки, усиливающие профили калитки, упоры нижние.

Единица измеренияшт.

Арт.	Тип полотна	Цвет*	Применение	Розничная цена, евро с НДС/м ²
GLG-1	«Микроволна», «S-гофр»	RAL9016, 8014, 9006, 5010, 1015, 3004, 6005, 8017, 7016, ADS703**	Для ворот с правой калиткой	198,00
	«S-гофр»	Золотой дуб, Темный дуб, Вишня		228,00
	«Микроволна», «S-гофр»	Другой цвет по каталогу RAL		+15% к стоимости стандартного цвета
GLG-2	«Микроволна», «S-гофр»	RAL9016, 8014, 9006, 5010, 1015, 3004, 6005, 8017, 7016, ADS703**	Для ворот с левой калиткой	198,00
	«S-гофр»	Золотой дуб, Темный дуб, Вишня		228,00
	«Микроволна», «S-гофр»	Другой цвет по каталогу RAL		+15% к стоимости стандартного цвета

* Указанные цвета имеют близкое соответствие шкале RAL.

** Стандартные цвета.



Калитка с плоским порогом 20 мм



Калитка с низким порогом 100 мм



Калитка со стандартным порогом 145 мм

ПОЛОТНО ВОРОТ С КАЛИТКОЙ

Панель нижняя

Тип ворот:

- гаражные ворота Classic с торсионными пружинами всех типов монтажа;
- промышленные ворота ProPlus всех типов монтажа.

Тип калитки: с плоским порогом 20 мм, с низким порогом 100 мм, со стандартным порогом 145 мм.

Состав: нижняя сэндвич-панель с боковыми накладками, нижний концевой профиль, нижняя уплотнительная вставка, комплект калиточных профилей для нижней панели, нижний усиливающий профиль калитки, упоры нижние.

Единица измеренияшт.

Арт.	Тип полотна	Цвет*	Применение	Розничная цена, евро с НДС/м
LPU-1	«Микроволна», «S-гофр»	RAL9016, 8014, 9006, 5010, 1015, 3004, 6005, 8017, 7016, ADS703**	Для ворот с правой калиткой	133,00
	«S-гофр»	Золотой дуб, Темный дуб, Вишня		153,00
	«Микроволна», «S-гофр»	Другой цвет по каталогу RAL		+15% к стоимости стандартного цвета
LPU-15	«Микроволна», «S-гофр»	RAL9016, 8014, 9006, 5010, 1015, 3004, 6005, 8017, 7016, ADS703**	Для ворот с левой калиткой	133,00
	«S-гофр»	Золотой дуб, Темный дуб, Вишня		153,00
	«Микроволна», «S-гофр»	Другой цвет по каталогу RAL		+15% к стоимости стандартного цвета

* Указанные цвета имеют близкое соответствие шкале RAL.

** Стандартные цвета.



Калитка с плоским порогом 20 мм



Калитка с низким порогом 100 мм



Калитка со стандартным порогом 145 мм

Панель нижняя

Тип ворот:

- гаражные ворота Classic с торсионными пружинами всех типов монтажа;
- промышленные ворота ProPlus всех типов монтажа.

Тип калитки: с плоским порогом 20 мм, с низким порогом 100 мм, со стандартным порогом 145 мм.

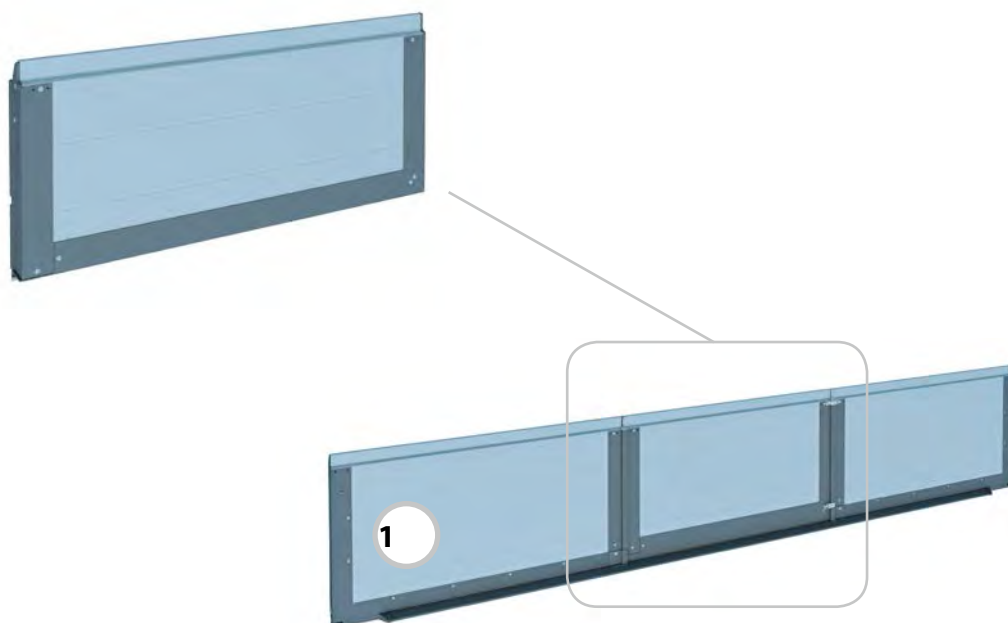
Состав: нижняя панель калитки с установленными профилями калитки, нижний усиливающий профиль.

Единица измеренияшт.

Арт.	Тип полотна	Цвет*	Применение	Розничная цена, евро с НДС/шт.
LPU-3	«Микроволна», «S-гофр»	RAL9016, 8014, 9006, 5010, 1015, 3004, 6005, 8017, 7016, ADS703**	Для ворот с правой калиткой	239,00
	«S-гофр»	Золотой дуб, Темный дуб, Вишня		275,00
	«Микроволна», «S-гофр»	Другой цвет по каталогу RAL		+15% к стоимости стандартного цвета
LPU-17	«Микроволна», «S-гофр»	RAL9016, 8014, 9006, 5010, 1015, 3004, 6005, 8017, 7016, ADS703**	Для ворот с левой калиткой	239,00
	«S-гофр»	Золотой дуб, Темный дуб, Вишня		275,00
	«Микроволна», «S-гофр»	Другой цвет по каталогу RAL		+15% к стоимости стандартного цвета

* Указанные цвета имеют близкое соответствие шкале RAL.

** Стандартные цвета.



ПОЛОТНО ВОРОТ С КАЛИТКОЙ

Панель нижняя

Тип ворот:

- гаражные ворота Classic с торсионными пружинами всех типов монтажа;
- промышленные ворота ProPlus всех типов монтажа.

Тип калитки: с плоским порогом 20 мм, с низким порогом 100 мм, со стандартным порогом 145 мм.

Состав: нижняя панель калитки с установленными профилями калитки, нижний усиливающий профиль.

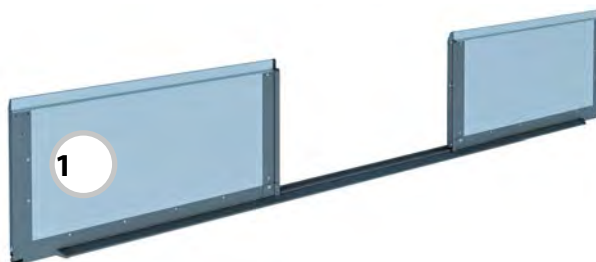
Единица измеренияшт.

Арт.	Тип полотна	Цвет*	Применение	Розничная цена, евро с НДС/шт.
LPU-30	«Микроволна», «S-гофр»	RAL9016, 8014, 9006, 5010, 1015, 3004, 6005, 8017, 7016, ADS703**	Для ворот с правой калиткой	(W-0,9)×133,00€/м
	«S-гофр»	Золотой дуб, Темный дуб, Вишня		(W-0,9)×153,00€/м
	«Микроволна», «S-гофр»	Другой цвет по каталогу RAL		+15% к стоимости стандартного цвета
LPU-40	«Микроволна», «S-гофр»	RAL9016, 8014, 9006, 5010, 1015, 3004, 6005, 8017, 7016, ADS703**	Для ворот с левой калиткой	(W-0,9)×133,00€/м
	«S-гофр»	Золотой дуб, Темный дуб, Вишня		(W-0,9)×153,00€/м
	«Микроволна», «S-гофр»	Другой цвет по каталогу RAL		+15% к стоимости стандартного цвета

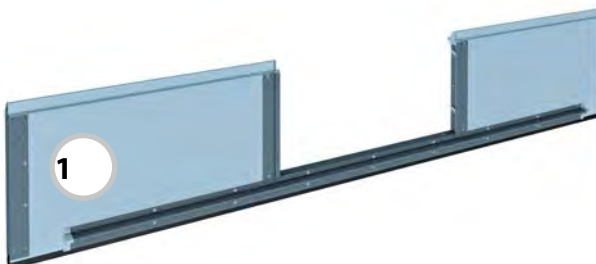
W — ширина ворот, м.

* Указанные цвета имеют близкое соответствие шкале RAL.

** Стандартные цвета.



Калитка с плоским порогом 20 мм



Калитка с низким порогом 100 мм



Калитка со стандартным порогом 145 мм

Панель промежуточная

Тип ворот:

- гаражные ворота Classic с торсионными пружинами всех типов монтажа;
- промышленные ворота ProPlus всех типов монтажа.

Тип калитки: с плоским порогом 20 мм, с низким порогом 100 мм, со стандартным порогом 145 мм.

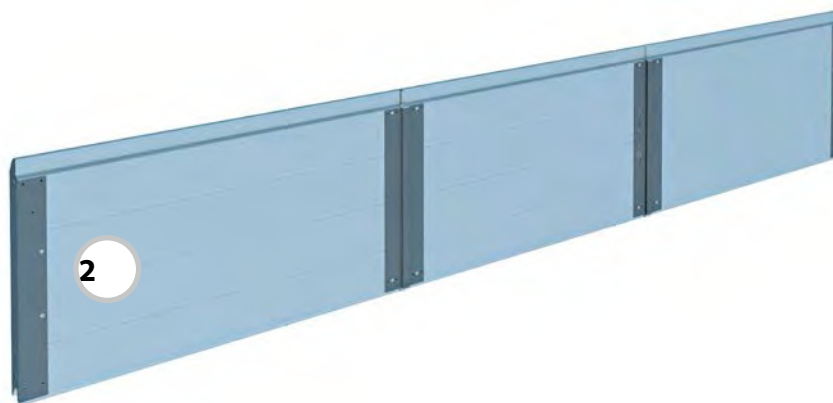
Состав: промежуточная калиточная панель с установленными калиточными профилями, замок калитки.

Единица измеренияшт.

Арт.	Тип полотна	Цвет*	Применение	Розничная цена, евро с НДС/м
LPU-31	«Микроволна», «S-гофр»	RAL9016, 8014, 9006, 5010, 1015, 3004, 6005, 8017, 7016, ADS703**	Для ворот с правой калиткой	109,00
	«S-гофр»	Золотой дуб, Темный дуб, Вишня		126,00
	«Микроволна», «S-гофр»	Другой цвет по каталогу RAL		+15% к стоимости стандартного цвета
LPU-41	«Микроволна», «S-гофр»	RAL9016, 8014, 9006, 5010, 1015, 3004, 6005, 8017, 7016, ADS703**	Для ворот с левой калиткой	109,00
	«S-гофр»	Золотой дуб, Темный дуб, Вишня		126,00
	«Микроволна», «S-гофр»	Другой цвет по каталогу RAL		+15% к стоимости стандартного цвета

* Указанные цвета имеют близкое соответствие шкале RAL.

** Стандартные цвета.



ПОЛОТНО ВОРОТ С КАЛИТКОЙ

Панель промежуточная

Тип ворот:

- гаражные ворота Classic с торсионными пружинами всех типов монтажа;
- промышленные ворота ProPlus всех типов монтажа.

Тип калитки: с плоским порогом 20 мм, с низким порогом 100 мм, со стандартным порогом 145 мм.

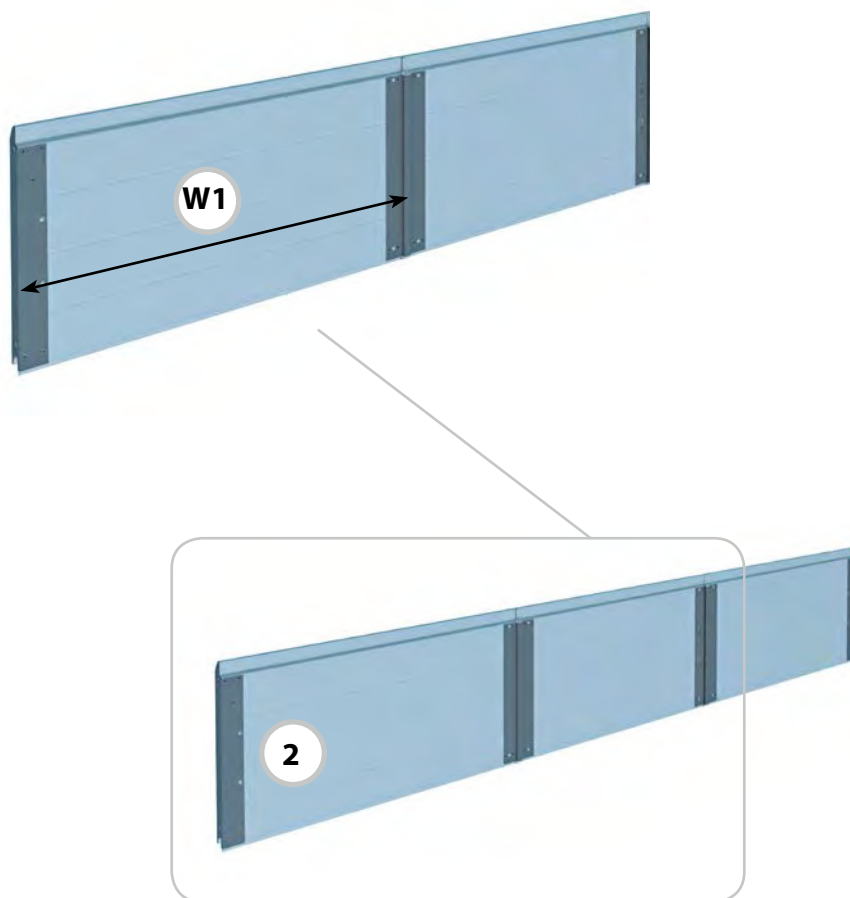
Состав: две промежуточные панели калитки с установленными калиточными профилями, замок калитки.

Единица измеренияшт.

Арт.	Тип полотна	Цвет*	Применение	Розничная цена, евро с НДС/шт.
LPU-5	«Микроволна», «S-гофр»	RAL9016, 8014, 9006, 5010, 1015, 3004, 6005, 8017, 7016, ADS703**	Для ворот с правой калиткой	(W1×109,00€/м)+239,00€
	«S-гофр»	Золотой дуб, Темный дуб, Вишня		(W1×126,00€/м)+275,00€
	«Микроволна», «S-гофр»	Другой цвет по каталогу RAL		+15% к стоимости стандартного цвета
LPU-19	«Микроволна», «S-гофр»	RAL9016, 8014, 9006, 5010, 1015, 3004, 6005, 8017, 7016, ADS703**	Для ворот с левой калиткой	(W1×109,00€/м)+239,00€
	«S-гофр»	Золотой дуб, Темный дуб, Вишня		(W1×126,00€/м)+275,00€
	«Микроволна», «S-гофр»	Другой цвет по каталогу RAL		+15% к стоимости стандартного цвета

* Указанные цвета имеют близкое соответствие шкале RAL.

** Стандартные цвета.



Панель промежуточная

Тип ворот:

- гаражные ворота Classic с торсионными пружинами всех типов монтажа;
- промышленные ворота ProPlus всех типов монтажа.

Тип калитки: с плоским порогом 20 мм, с низким порогом 100 мм, со стандартным порогом 145 мм.

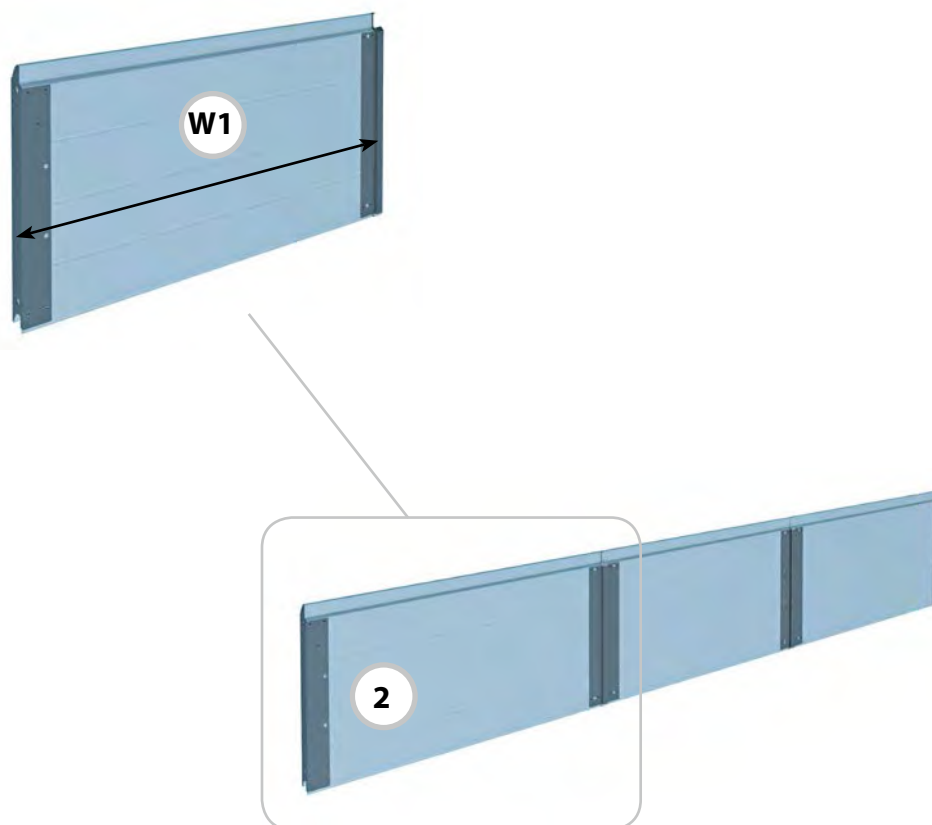
Состав: промежуточная панель калитки с установленными калиточными профилями.

Единица измеренияшт.

Арт.	Тип полотна	Цвет*	Применение	Розничная цена, евро с НДС/шт.
LPU-6	«Микроволна», «S-гофр»	RAL9016, 8014, 9006, 5010, 1015, 3004, 6005, 8017, 7016, ADS703**	Для ворот с правой калиткой	84,00€/м×W1
	«S-гофр»	Золотой дуб, Темный дуб, Вишня		97,00€/м×W1
	«Микроволна», «S-гофр»	Другой цвет по каталогу RAL		+ 15% к стоимости стандартного цвета
LPU-20	«Микроволна», «S-гофр»	RAL9016, 8014, 9006, 5010, 1015, 3004, 6005, 8017, 7016, ADS703**	Для ворот с левой калиткой	84,00€/м×W1
	«S-гофр»	Золотой дуб, Темный дуб, Вишня		97,00€/м×W1
	«Микроволна», «S-гофр»	Другой цвет по каталогу RAL		+ 15% к стоимости стандартного цвета

* Указанные цвета имеют близкое соответствие шкале RAL.

** Стандартные цвета.



ПОЛОТНО ВОРОТ С КАЛИТКОЙ

Панель промежуточная

Тип ворот:

- гаражные ворота Classic с торсионными пружинами всех типов монтажа;
- промышленные ворота ProPlus всех типов монтажа.

Тип калитки: с плоским порогом 20 мм, с низким порогом 100 мм, со стандартным порогом 145 мм.

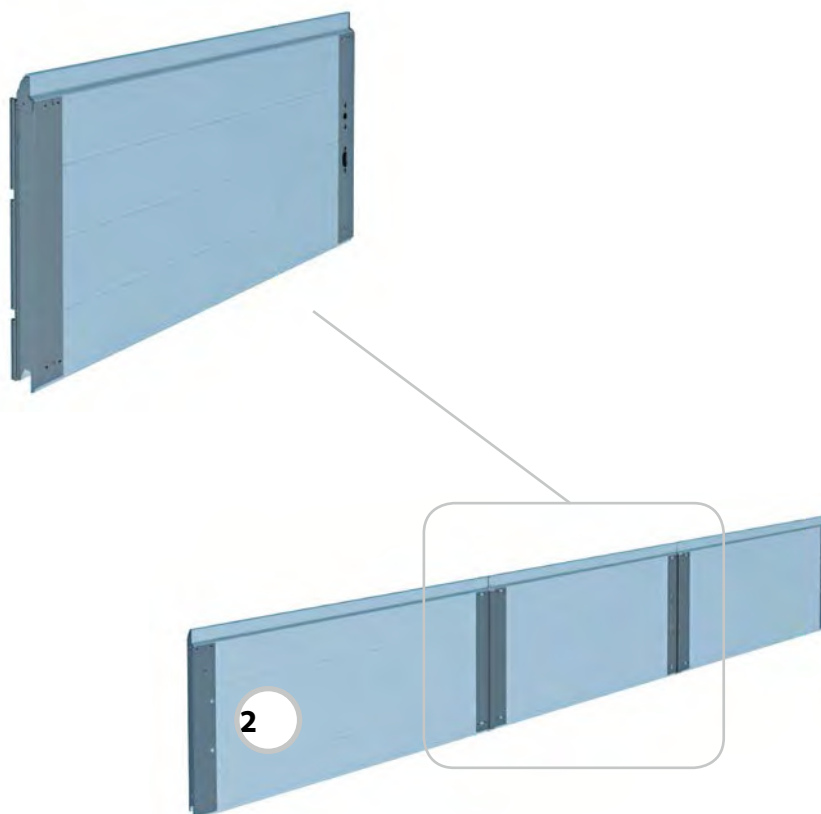
Состав: промежуточная панель калитки с установленными калиточными профилями, замок калитки.

Единица измеренияшт.

Арт.	Тип полотна	Цвет*	Применение	Розничная цена, евро с НДС/шт.
LPU-7	«Микроволна», «S-гофр»	RAL9016, 8014, 9006, 5010, 1015, 3004, 6005, 8017, 7016, ADS703**	Для ворот с правой калиткой	343,00
	«S-гофр»	Золотой дуб, Темный дуб, Вишня		395,00
	«Микроволна», «S-гофр»	Другой цвет по каталогу RAL		+ 15% к стоимости стандартного цвета
LPU-21	«Микроволна», «S-гофр»	RAL9016, 8014, 9006, 5010, 1015, 3004, 6005, 8017, 7016, ADS703**	Для ворот с левой калиткой	343,00
	«S-гофр»	Золотой дуб, Темный дуб, Вишня		395,00
	«Микроволна», «S-гофр»	Другой цвет по каталогу RAL		+ 15% к стоимости стандартного цвета

* Указанные цвета имеют близкое соответствие шкале RAL.

** Стандартные цвета.



Панель промежуточная

Тип ворот:

- гаражные ворота Classic с торсионными пружинами всех типов монтажа;
- промышленные ворота ProPlus всех типов монтажа.

Тип калитки: с плоским порогом 20 мм, с низким порогом 100 мм, со стандартным порогом 145 мм.

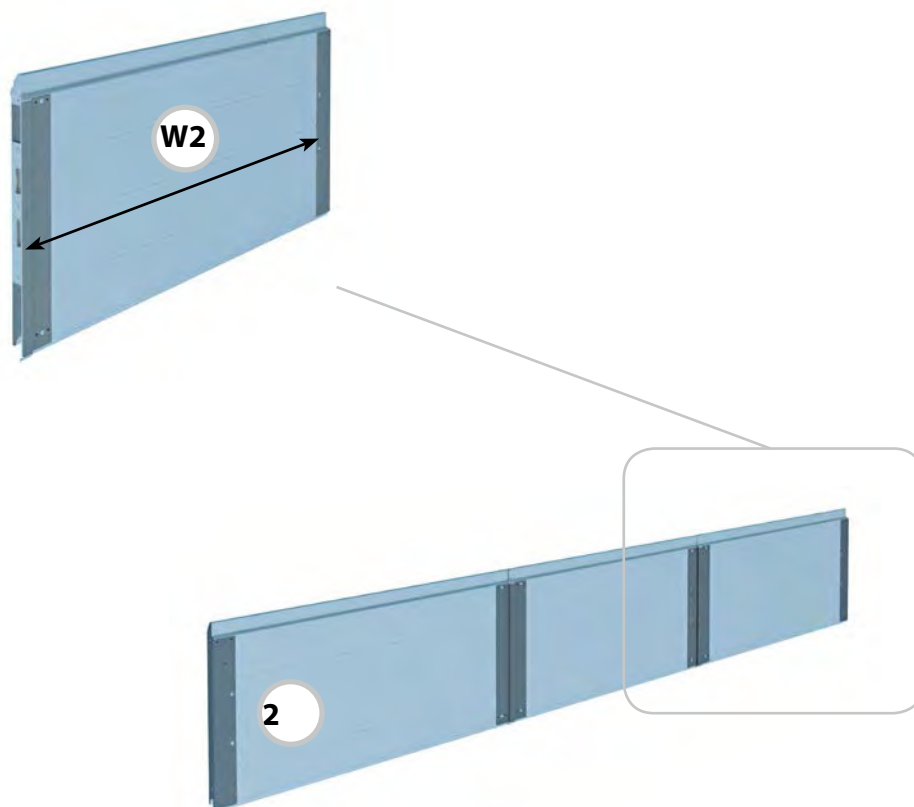
Состав: промежуточная панель калитки с установленными калиточными профилями.

Единица измеренияшт.

Арт.	Тип полотна	Цвет*	Применение	Розничная цена, евро с НДС/шт.
LPU-8	«Микроволна», «S-гофр»	RAL9016, 8014, 9006, 5010, 1015, 3004, 6005, 8017, 7016, ADS703**	Для ворот с правой калиткой	84,0€/м×W2
	«S-гофр»	Золотой дуб, Темный дуб, Вишня		97,00€/м×W2
	«Микроволна», «S-гофр»	Другой цвет по каталогу RAL		+ 15% к стоимости стандартного цвета
LPU-22	«Микроволна», «S-гофр»	RAL9016, 8014, 9006, 5010, 1015, 3004, 6005, 8017, 7016, ADS703**	Для ворот с левой калиткой	84,00€/м×W2
	«S-гофр»	Золотой дуб, Темный дуб, Вишня		97,00€/м×W2
	«Микроволна», «S-гофр»	Другой цвет по каталогу RAL		+ 15% к стоимости стандартного цвета

* Указанные цвета имеют близкое соответствие шкале RAL.

** Стандартные цвета.



ПОЛОТНО ВОРОТ С КАЛИТКОЙ

Панель промежуточная

Тип ворот:

- гаражные ворота Classic с торсионными пружинами всех типов монтажа;
- промышленные ворота ProPlus всех типов монтажа.

Тип калитки: с плоским порогом 20 мм, с низким порогом 100 мм, со стандартным порогом 145 мм.

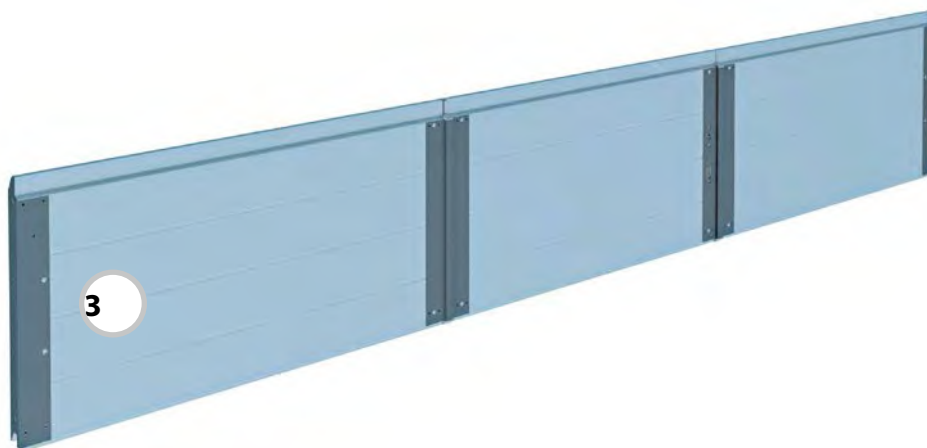
Состав: промежуточная калиточная панель с установленными калиточными профилями.

Единица измеренияшт.

Арт.	Тип полотна	Цвет*	Применение	Розничная цена, евро с НДС/м
LPU-32	«Микроволна», «S-гофр»	RAL9016, 8014, 9006, 5010, 1015, 3004, 6005, 8017, 7016, ADS703**	Для ворот с правой калиткой	84,00
	«S-гофр»	Золотой дуб, Темный дуб, Вишня		97,00
	«Микроволна», «S-гофр»	Другой цвет по каталогу RAL		+ 15% к стоимости стандартного цвета
LPU-42	«Микроволна», «S-гофр»	RAL9016, 8014, 9006, 5010, 1015, 3004, 6005, 8017, 7016, ADS703**	Для ворот с левой калиткой	84,00
	«S-гофр»	Золотой дуб, Темный дуб, Вишня		97,00
	«Микроволна», «S-гофр»	Другой цвет по каталогу RAL		+ 15% к стоимости стандартного цвета

* Указанные цвета имеют близкое соответствие шкале RAL.

** Стандартные цвета.



Панель промежуточная

Тип ворот:

- гаражные ворота Classic с торсионными пружинами всех типов монтажа;
- промышленные ворота ProPlus всех типов монтажа.

Тип калитки: с плоским порогом 20 мм, с низким порогом 100 мм, со стандартным порогом 145 мм.

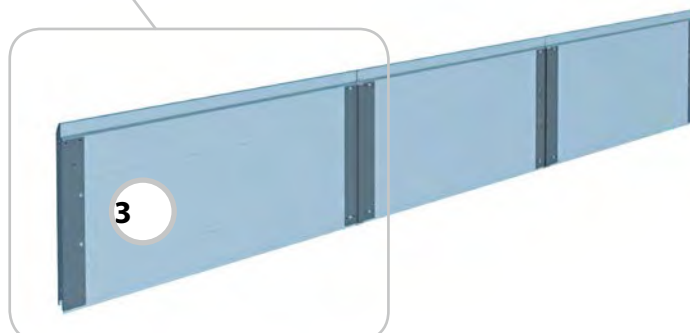
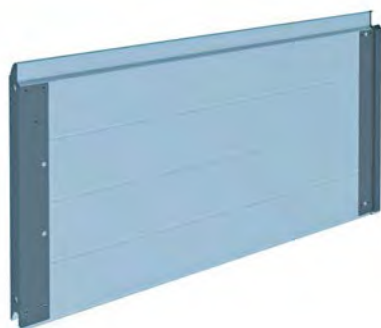
Состав: промежуточная панель калитки с установленными калиточными профилями.

Единица измеренияшт.

Арт.	Тип полотна	Цвет*	Применение	Розничная цена, евро с НДС/м
LPU-34	«Микроволна», «S-гофр»	RAL9016, 8014, 9006, 5010, 1015, 3004, 6005, 8017, 7016, ADS703**	Для ворот с правой калиткой	84,00
	«S-гофр»	Золотой дуб, Темный дуб, Вишня		97,00
	«Микроволна», «S-гофр»	Другой цвет по каталогу RAL		+ 15% к стоимости стандартного цвета
LPU-44	«Микроволна», «S-гофр»	RAL9016, 8014, 9006, 5010, 1015, 3004, 6005, 8017, 7016, ADS703**	Для ворот с левой калиткой	84,00
	«S-гофр»	Золотой дуб, Темный дуб, Вишня		97,00
	«Микроволна», «S-гофр»	Другой цвет по каталогу RAL		+ 15% к стоимости стандартного цвета

* Указанные цвета имеют близкое соответствие шкале RAL.

** Стандартные цвета.



ПОЛОТНО ВОРОТ С КАЛИТКОЙ

Панель промежуточная

Тип ворот:

- гаражные ворота Classic с торсионными пружинами всех типов монтажа;
- промышленные ворота ProPlus всех типов монтажа.

Тип калитки: с плоским порогом 20 мм, с низким порогом 100 мм, со стандартным порогом 145 мм.

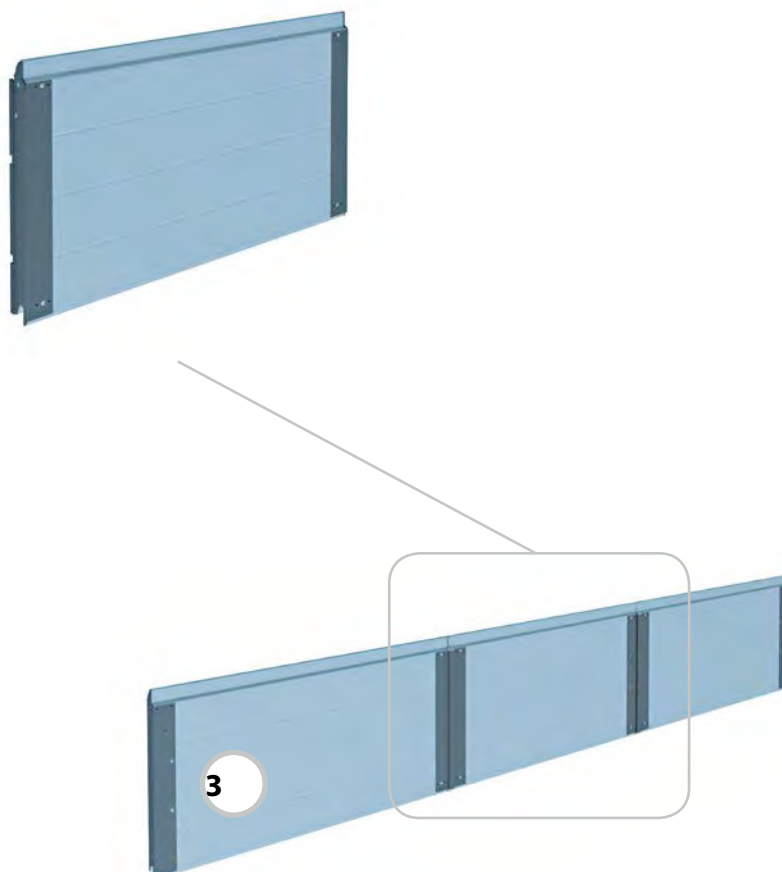
Состав: промежуточная панель калитки с установленными калиточными профилями.

Единица измеренияшт.

Арт.	Тип полотна	Цвет*	Применение	Розничная цена, евро с НДС/шт.
LPU-35	«Микроволна», «S-гофр»	RAL9016, 8014, 9006, 5010, 1015, 3004, 6005, 8017, 7016, ADS703**	Для ворот с правой калиткой	195,00
	«S-гофр»	Золотой дуб, Темный дуб, Вишня		225,00
	«Микроволна», «S-гофр»	Другой цвет по каталогу RAL		+ 15% к стоимости стандартного цвета
LPU-45	«Микроволна», «S-гофр»	RAL9016, 8014, 9006, 5010, 1015, 3004, 6005, 8017, 7016, ADS703**	Для ворот с левой калиткой	195,00
	«S-гофр»	Золотой дуб, Темный дуб, Вишня		225,00
	«Микроволна», «S-гофр»	Другой цвет по каталогу RAL		+ 15% к стоимости стандартного цвета

* Указанные цвета имеют близкое соответствие шкале RAL.

** Стандартные цвета.



Панель промежуточная

Тип ворот:

- гаражные ворота Classic с торсионными пружинами всех типов монтажа;
- промышленные ворота ProPlus всех типов монтажа.

Тип калитки: с плоским порогом 20 мм, с низким порогом 100 мм, со стандартным порогом 145 мм.

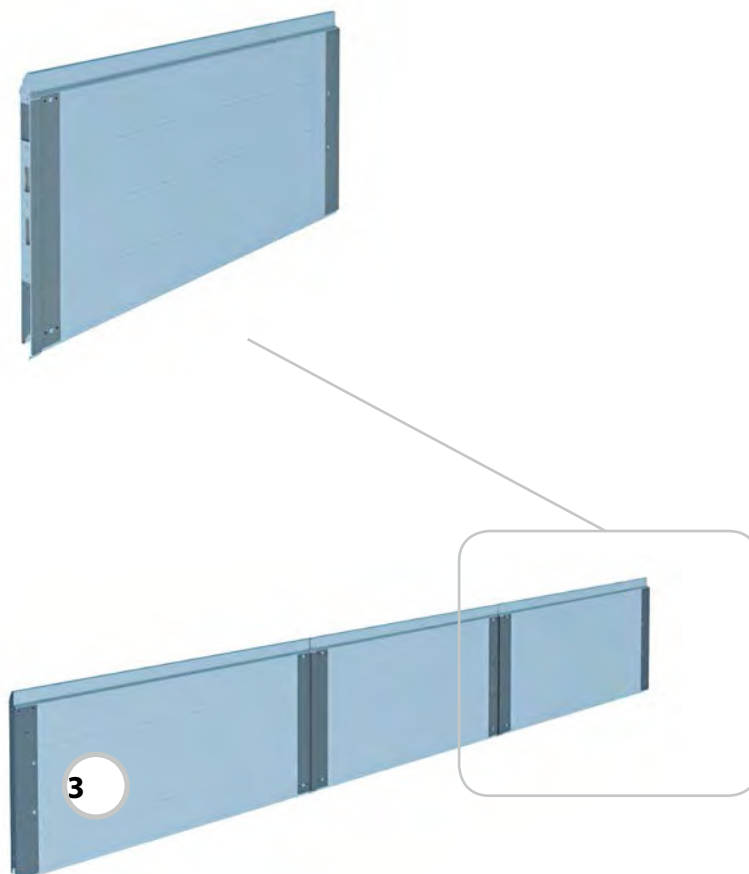
Состав: промежуточная панель калитки с установленными калиточными профилями.

Единица измеренияшт.

Арт.	Тип полотна	Цвет*	Применение	Розничная цена, евро с НДС/м
LPU-36	«Микроволна», «S-гофр»	RAL9016, 8014, 9006, 5010, 1015, 3004, 6005, 8017, 7016, ADS703**	Для ворот с правой калиткой	84,00
	«S-гофр»	Золотой дуб, Темный дуб, Вишня		97,00
	«Микроволна», «S-гофр»	Другой цвет по каталогу RAL		+ 15% к стоимости стандартного цвета
LPU-46	«Микроволна», «S-гофр»	RAL9016, 8014, 9006, 5010, 1015, 3004, 6005, 8017, 7016, ADS703**	Для ворот с левой калиткой	84,00
	«S-гофр»	Золотой дуб, Темный дуб, Вишня		97,00
	«Микроволна», «S-гофр»	Другой цвет по каталогу RAL		+ 15% к стоимости стандартного цвета

* Указанные цвета имеют близкое соответствие шкале RAL.

** Стандартные цвета.



ПОЛОТНО ВОРОТ С КАЛИТКОЙ

Панель промежуточная

Тип ворот:

- гаражные ворота Classic с торсионными пружинами всех типов монтажа;
- промышленные ворота ProPlus всех типов монтажа.

Тип калитки: с плоским порогом 20 мм, с низким порогом 100 мм, со стандартным порогом 145 мм.

Состав: верхняя калиточная панель с установленными калиточными профилями, верхний усиливающий профиль.

Единица измеренияшт.

Арт.	Тип полотна	Цвет*	Применение	Розничная цена, евро с НДС/м
LPU-37	«Микроволна», «S-гофр»	RAL9016, 8014, 9006, 5010, 1015, 3004, 6005, 8017, 7016, ADS703**	Для ворот с правой калиткой	121,00
	«S-гофр»	Золотой дуб, Темный дуб, Вишня		140,00
	«Микроволна», «S-гофр»	Другой цвет по каталогу RAL		+ 15% к стоимости стандартного цвета
LPU-47	«Микроволна», «S-гофр»	RAL9016, 8014, 9006, 5010, 1015, 3004, 6005, 8017, 7016, ADS703**	Для ворот с левой калиткой	121,00
	«S-гофр»	Золотой дуб, Темный дуб, Вишня		140,00
	«Микроволна», «S-гофр»	Другой цвет по каталогу RAL		+ 15% к стоимости стандартного цвета

* Указанные цвета имеют близкое соответствие шкале RAL.

** Стандартные цвета.



Панель промежуточная

Тип ворот:

- гаражные ворота Classic с торсионными пружинами всех типов монтажа;
- промышленные ворота ProPlus всех типов монтажа.

Тип калитки: с плоским порогом 20 мм, с низким порогом 100 мм, со стандартным порогом 145 мм.

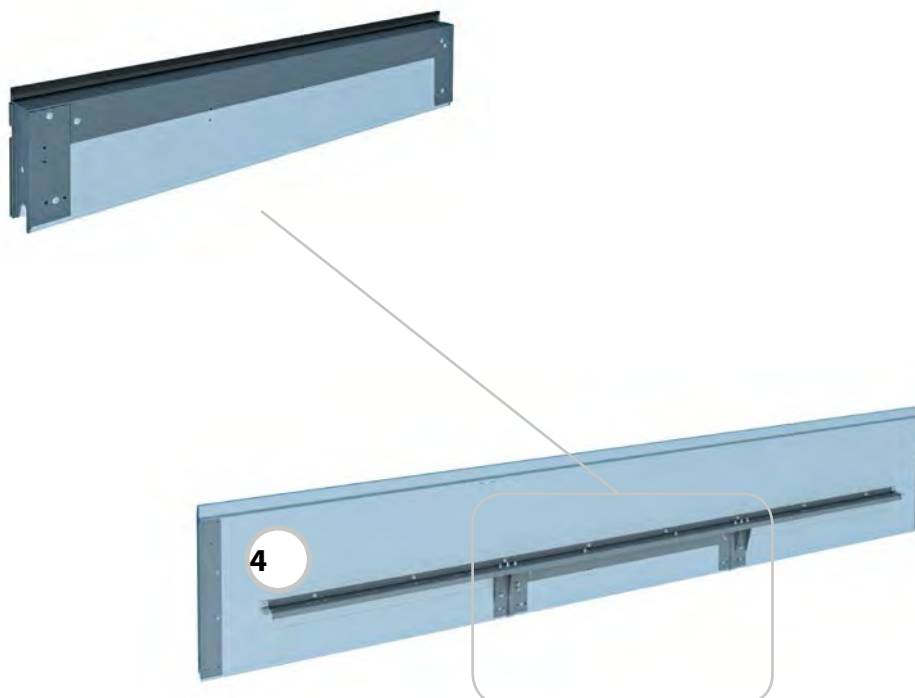
Состав: верхняя калиточная панель с установленными калиточными профилями.

Единица измеренияшт.

Арт.	Тип полотна	Цвет*	Применение	Розничная цена, евро с НДС/шт.
LPU-38	«Микроволна», «S-гофр»	RAL9016, 8014, 9006, 5010, 1015, 3004, 6005, 8017, 7016, ADS703**	Для ворот с правой калиткой	202,00
	«S-гофр»	Золотой дуб, Темный дуб, Вишня		233,00
	«Микроволна», «S-гофр»	Другой цвет по каталогу RAL		+ 15% к стоимости стандартного цвета
LPU-48	«Микроволна», «S-гофр»	RAL9016, 8014, 9006, 5010, 1015, 3004, 6005, 8017, 7016, ADS703**	Для ворот с левой калиткой	202,00
	«S-гофр»	Золотой дуб, Темный дуб, Вишня		233,00
	«Микроволна», «S-гофр»	Другой цвет по каталогу RAL		+ 15% к стоимости стандартного цвета

* Указанные цвета имеют близкое соответствие шкале RAL.

** Стандартные цвета.



ПОЛОТНО ВОРОТ С КАЛИТКОЙ

Панель промежуточная

Тип ворот:

- гаражные ворота Classic с торсионными пружинами всех типов монтажа;
- промышленные ворота ProPlus всех типов монтажа.

Тип калитки: с плоским порогом 20 мм, с низким порогом 100 мм, со стандартным порогом 145 мм.

Состав: верхняя калиточная панель с установленными калиточными профилями, верхний усиливающий профиль.

Единица измеренияшт.

Арт.	Тип полотна	Цвет*	Применение	Розничная цена, евро с НДС/шт.
LPU-39	«Микроволна», «S-гофр»	RAL9016, 8014, 9006, 5010, 1015, 3004, 6005, 8017, 7016, ADS703**	Для ворот с правой калиткой	(W-0,9)×121,00€/м
	«S-гофр»	Золотой дуб, Темный дуб, Вишня		(W-0,9)×140,00 €/м
	«Микроволна», «S-гофр»	Другой цвет по каталогу RAL		+15% к стоимости стандартного цвета
LPU-49	«Микроволна», «S-гофр»	RAL9016, 8014, 9006, 5010, 1015, 3004, 6005, 8017, 7016, ADS703**	Для ворот с левой калиткой	(W-0,9)×121,00€/м
	«S-гофр»	Золотой дуб, Темный дуб, Вишня		(W-0,9)×140,00 €/м
	«Микроволна», «S-гофр»	Другой цвет по каталогу RAL		+15% к стоимости стандартного цвета

W — ширина ворот, м.

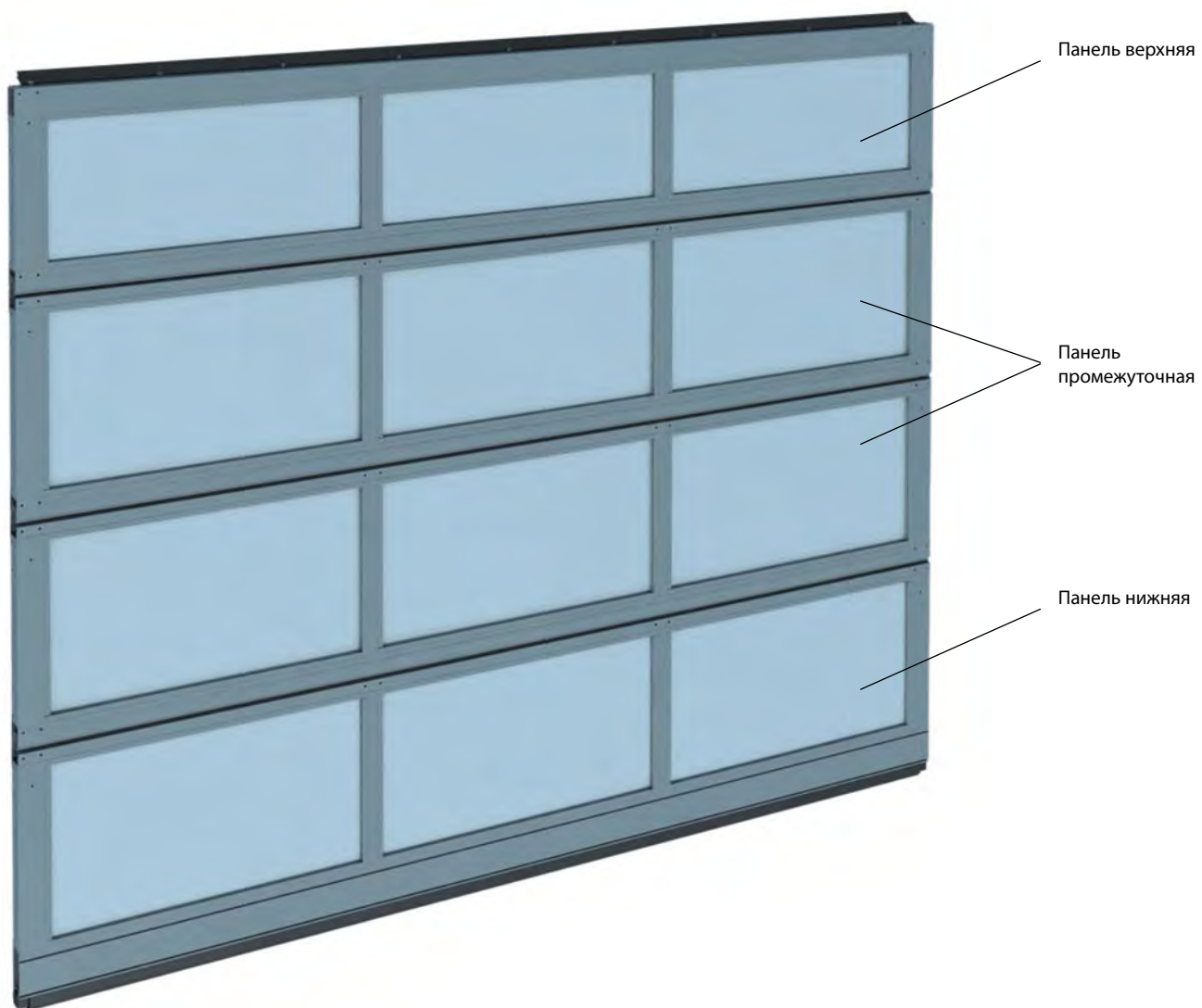
* Указанные цвета имеют близкое соответствие шкале RAL.

** Стандартные цвета.



ПАНОРАМНОЕ ПОЛОТНО ВОРОТ БЕЗ КАЛИТКИ

ТИПОВАЯ КОНСТРУКЦИЯ ПАНОРАМНОГО ПОЛОТНА ВОРОТ БЕЗ КАЛИТКИ



ПАНОРАМНОЕ ПОЛОТНО ВОРОТ БЕЗ КАЛИТКИ

Полотно воротное

Серия ворот: панорамные ворота AluPro, AluTherm и AluLine.

Тип полотна ворот: АЛП.

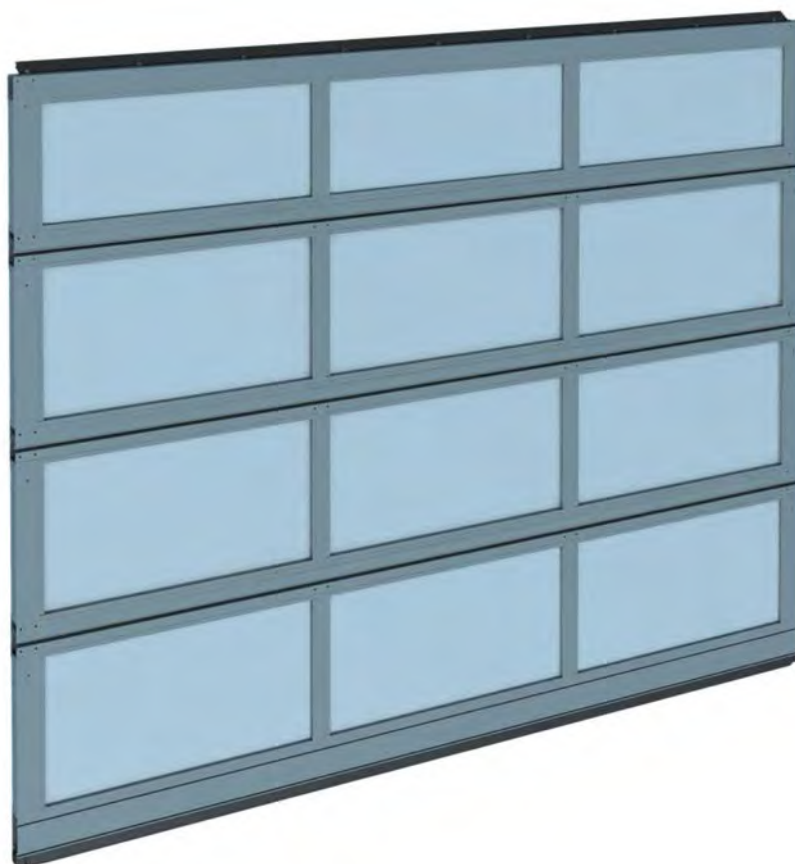
Состав: панорамные панели, нижняя и верхняя уплотнительные вставки, упоры нижние.

Единица измеренияшт.

Арт.	Серия ворот	Цвет*	Розничная цена, евро с НДС/м ²
GLG-7	AluPro	RAL9016, 8014, 9006, 5010, 1015, 3004, 6005, 8017, 7016**	225,00
		Другой цвет по каталогу RAL	+ 15% к стоимости стандартного цвета
	AluLine	RAL9016, 8014, 9006, 5010**	225,00
		Другой цвет по каталогу RAL	+ 15% к стоимости стандартного цвета
AluTherm	RAL9016, 8014, 9006, 5010**	286,00	

* Указанные цвета имеют близкое соответствие шкале RAL.

** Стандартные цвета.



Полотно воротное

Серия ворот: панорамные ворота AluPro и AluTherm.

Тип полотна ворот: АЛПС.

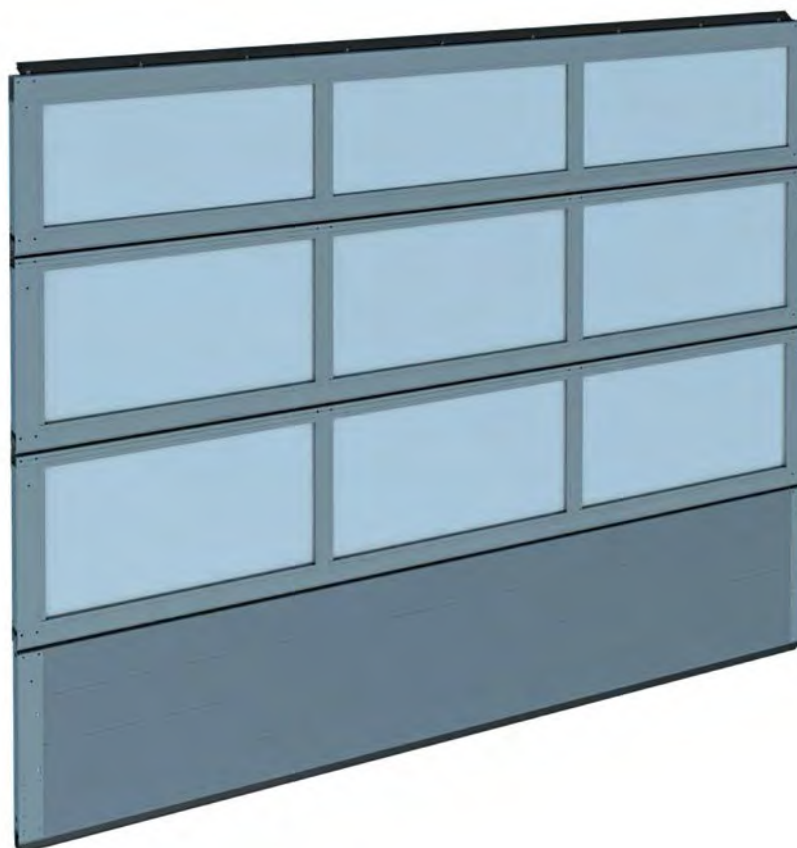
Состав: нижняя сэндвич-панель, промежуточные и верхняя панорамные панели, нижний концевой профиль, нижняя и верхняя уплотнительные вставки, упоры нижние.

Единица измеренияшт.

Арт.	Серия ворот	Цвет*	Розничная цена, евро с НДС/м ²
GLG-10	AluPro	RAL9016, 8014, 9006, 5010, 1015, 3004, 6005, 8017, 7016**	214,00
		Другой цвет по каталогу RAL	+ 15% к стоимости стандартного цвета
	AluTherm	RAL9016, 8014, 9006, 5010**	271,00

* Указанные цвета имеют близкое соответствие шкале RAL.

** Стандартные цвета.



ПАНОРАМНОЕ ПОЛОТНО ВОРОТ БЕЗ КАЛИТКИ

Панель нижняя

Серия ворот: панорамные ворота AluPro, AluTherm и AluLine.

Тип полотна ворот: АЛП.

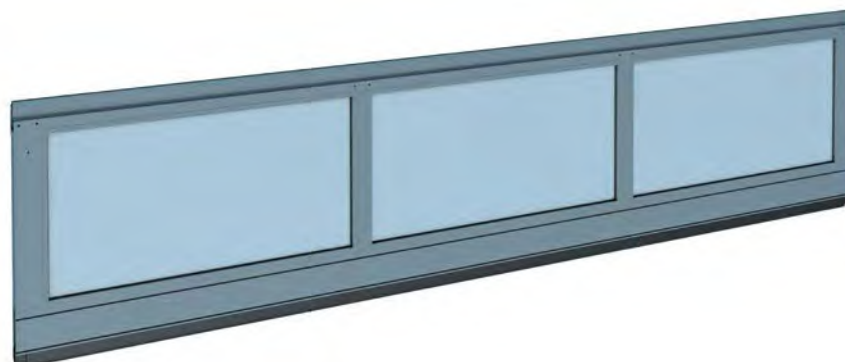
Состав: нижняя панорамная панель, нижняя уплотнительная вставка, упоры нижние.

Единица измеренияшт.

Арт.	Серия ворот	Цвет*	Розничная цена, евро с НДС/м ²
LPA-27	AluPro	RAL9016, 8014, 9006, 5010, 1015, 3004, 6005, 8017, 7016**	270,00
		Другой цвет по каталогу RAL	+15% к стоимости стандартного цвета
	AluLine	RAL9016, 8014, 9006, 5010**	270,00
		Другой цвет по каталогу RAL	+15% к стоимости стандартного цвета
AluTherm	RAL9016, 8014, 9006, 5010**	343,00	

* Указанные цвета имеют близкое соответствие шкале RAL.

** Стандартные цвета.



Панель промежуточная

Серия ворот:

- панорамные ворота AluPro, AluTherm и AluLine;
- гаражные ворота Classic (ПО серии AluPro, AluTherm);
- промышленные ворота ProPlus (ПО серии AluPro, AluTherm).

Тип полотна ворот: АЛП, АЛПС, ПО.

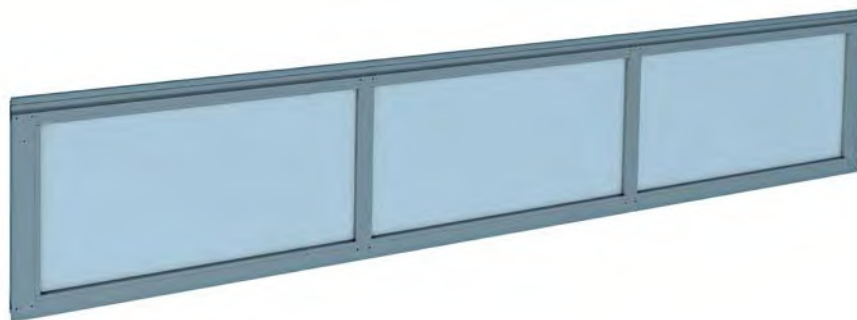
Состав: промежуточная панорамная панель

Единица измеренияшт.

Арт.	Серия ворот	Цвет*	Розничная цена, евро с НДС/м ²
LPA-28	AluPro	RAL9016, 8014, 9006, 5010, 1015, 3004, 6005, 8017, 7016**	225,00
		Другой цвет по каталогу RAL	+15% к стоимости стандартного цвета
	AluLine	RAL9016, 8014, 9006, 5010**	225,00
		Другой цвет по каталогу RAL	+15% к стоимости стандартного цвета
AluTherm	RAL9016, 8014, 9006, 5010**	286,00	

* Указанные цвета имеют близкое соответствие шкале RAL.

** Стандартные цвета.



ПАНОРАМНОЕ ПОЛОТНО ВОРОТ БЕЗ КАЛИТКИ

Панель верхняя

Серия ворот: панорамные ворота AluPro, AluTherm и AluLine.

Тип полотна ворот: АЛП, АЛПС.

Состав: верхняя панорамная панель, верхняя уплотнительная вставка.

Единица измеренияшт.

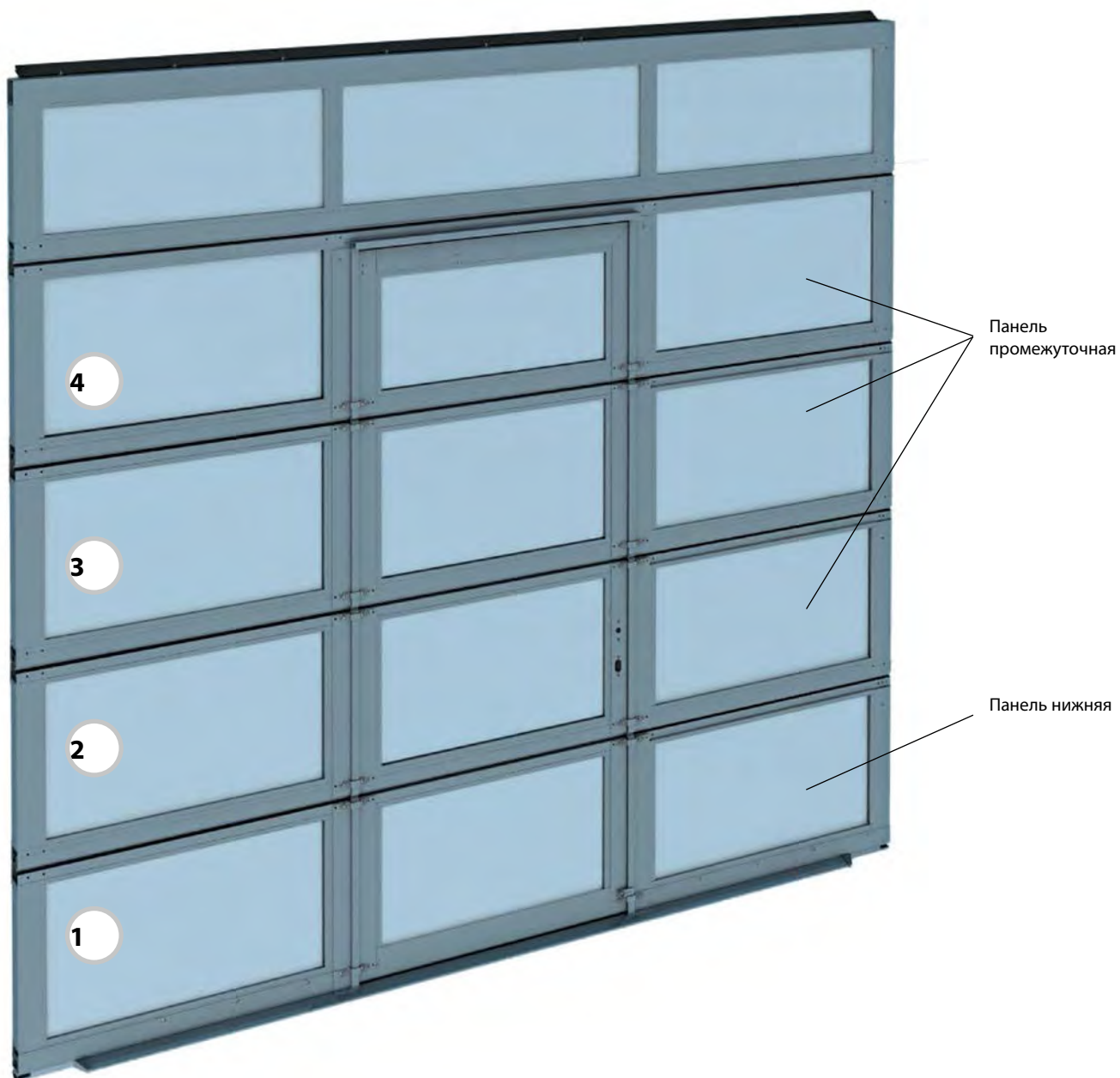
Арт.	Серия ворот	Цвет*	Розничная цена, евро с НДС/м ²
LPA-29	AluPro	RAL9016, 8014, 9006, 5010, 1015, 3004, 6005, 8017, 7016**	225,00
		Другой цвет по каталогу RAL	+15% к стоимости стандартного цвета
	AluLine	RAL9016, 8014, 9006, 5010**	225,00
		Другой цвет по каталогу RAL	+15% к стоимости стандартного цвета
AluTherm	RAL9016, 8014, 9006, 5010**	286,00	

* Указанные цвета имеют близкое соответствие шкале RAL.

** Стандартные цвета.



ТИПОВАЯ КОНСТРУКЦИЯ ПАНОРАМНОГО ПОЛОТНА ВОРОТ С КАЛИТКОЙ



ПАНОРАМНОЕ ПОЛОТНО ВОРОТ С КАЛИТКОЙ

Полотно воротное

Серия ворот: панорамные ворота AluPro.

Тип полотна ворот: АЛП.

Тип калитки: с плоским порогом 20 мм, со стандартным порогом 149 мм.

Состав: панорамные панели, нижняя и верхняя уплотнительные вставки, упоры нижний, комплект калиточных профилей и замок калитки, усиливающие профили калитки.

Единица измеренияшт.

Арт.	Цвет*	Применение	Розничная цена, евро с НДС/м ²
GLG-5	RAL9016, 8014, 9006, 5010, 1015, 3004, 6005, 8017, 7016**	Для ворот с правой калиткой	268,00
	Другой цвет по каталогу RAL		+15% к стоимости стандартного цвета
GLG-6	RAL9016, 8014, 9006, 5010, 1015, 3004, 6005, 8017, 7016**	Для ворот с левой калиткой	268,00
	Другой цвет по каталогу RAL		+15% к стоимости стандартного цвета

* Указанные цвета имеют близкое соответствие шкале RAL.

** Стандартные цвета.



Калитка с плоским порогом 20 мм



Калитка со стандартным порогом 149 мм

Полотно воротное

Серия ворот: панорамные ворота AluPro.

Тип полотна ворот: АЛПС.

Тип калитки: с плоским порогом 20 мм, с низким порогом 100 мм, со стандартным порогом 145 мм.

Состав: нижняя сэндвич-панель, промежуточные и верхняя панорамные панели, нижний концевой профиль, нижняя и верхняя уплотнительные вставки, упоры нижний, комплект калиточных профилей и замок калитки, усиливающие профили калитки.

Единица измеренияшт.

Арт.	Цвет*	Применение	Розничная цена, евро с НДС/м ²
GLG-8	RAL9016, 8014, 9006, 5010, 1015, 3004, 6005, 8017, 7016**	Для ворот с правой калиткой	260,00
	Другой цвет по каталогу RAL		+15% к стоимости стандартного цвета
GLG-9	RAL9016, 8014, 9006, 5010, 1015, 3004, 6005, 8017, 7016**	Для ворот с левой калиткой	260,00
	Другой цвет по каталогу RAL		+15% к стоимости стандартного цвета

* Указанные цвета имеют близкое соответствие шкале RAL.

** Стандартные цвета.



Калитка с плоским порогом 20 мм



Калитка с низким порогом 100 мм



Калитка со стандартным порогом 145 мм

ПАНОРАМНОЕ ПОЛОТНО ВОРОТ С КАЛИТКОЙ

Панель нижняя

Серия ворот: панорамные ворота AluPro.

Тип полотна ворот: АЛП.

Тип калитки: с плоским порогом 20 мм, со стандартным порогом 149 мм.

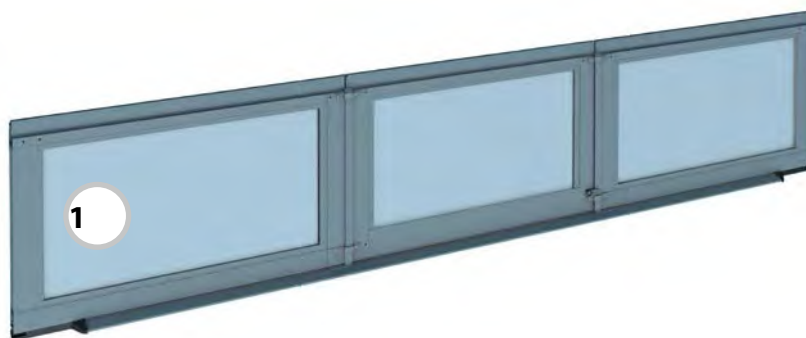
Состав: нижняя панорамная панель, нижняя уплотнительная вставка, комплект калиточных профилей для нижней панели, нижний усиливающий профиль калитки, упоры нижние.

Единица измеренияшт.

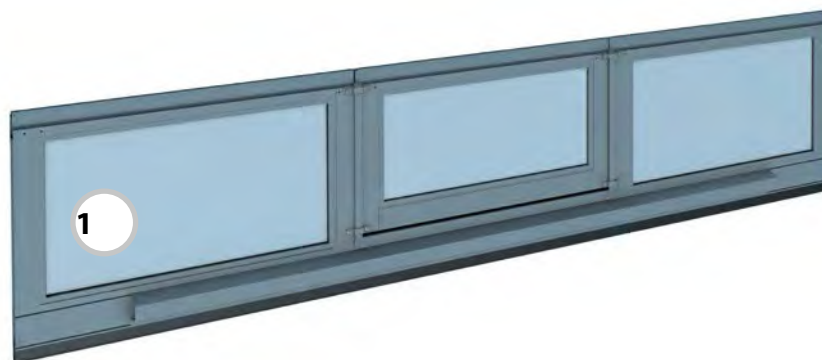
Арт.	Цвет*	Применение	Розничная цена, евро с НДС/м ²
LPA-1	RAL9016, 8014, 9006, 5010, 1015, 3004, 6005, 8017, 7016**	Для ворот с правой калиткой	357,00
	Другой цвет по каталогу RAL		+15% к стоимости стандартного цвета
LPA-15	RAL9016, 8014, 9006, 5010, 1015, 3004, 6005, 8017, 7016**	Для ворот с левой калиткой	357,00
	Другой цвет по каталогу RAL		+15% к стоимости стандартного цвета

* Указанные цвета имеют близкое соответствие шкале RAL.

** Стандартные цвета.



Калитка с плоским порогом 20 мм



Калитка со стандартным порогом 149 мм

ПАНОРАМНОЕ ПОЛОТНО ВОРОТ С КАЛИТКОЙ
Панель нижняя

Серия ворот: панорамные ворота AluPro.

Тип полотна ворот: АЛП.

Тип калитки: с плоским порогом 20 мм, со стандартным порогом 149 мм.

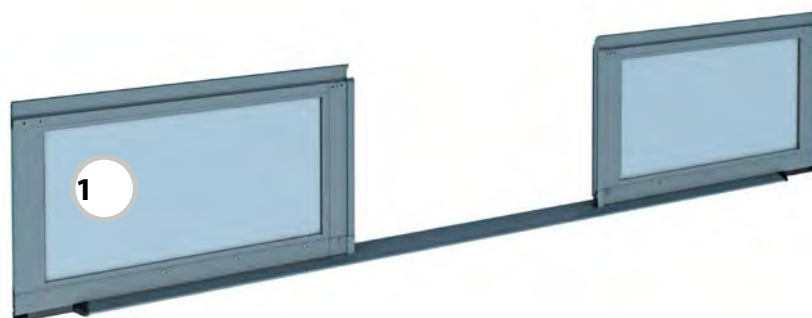
Состав: нижняя панель калитки с установленными профилями калитки.

Единица измеренияшт.

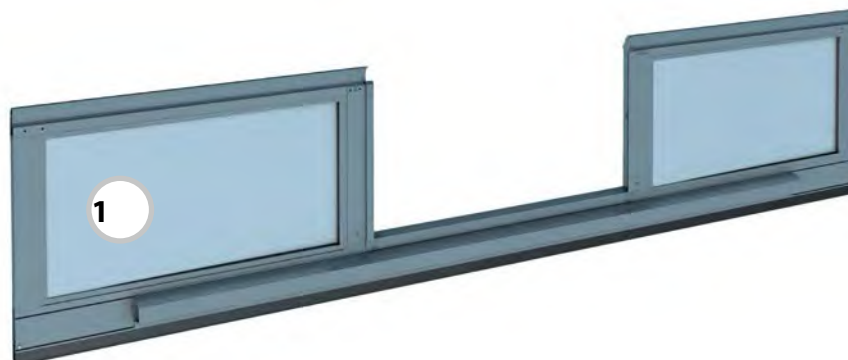
Арт.	Цвет*	Применение	Розничная цена, евро с НДС/м ²
LPA-30	RAL9016, 8014, 9006, 5010, 1015, 3004, 6005, 8017, 7016**	Для ворот с правой калиткой	282,00
	Другой цвет по каталогу RAL		+ 15% к стоимости стандартного цвета
LPA-40	RAL9016, 8014, 9006, 5010, 1015, 3004, 6005, 8017, 7016**	Для ворот с левой калиткой	282,00
	Другой цвет по каталогу RAL		+ 15% к стоимости стандартного цвета

* Указанные цвета имеют близкое соответствие шкале RAL.

** Стандартные цвета.



Калитка с плоским порогом 20 мм



Калитка со стандартным порогом 149 мм

ПАНОРАМНОЕ ПОЛОТНО ВОРОТ С КАЛИТКОЙ

Панель нижняя

Серия ворот: панорамные ворота AluPro.

Тип полотна ворот: АЛП.

Тип калитки: с плоским порогом 20 мм, со стандартным порогом 149 мм.

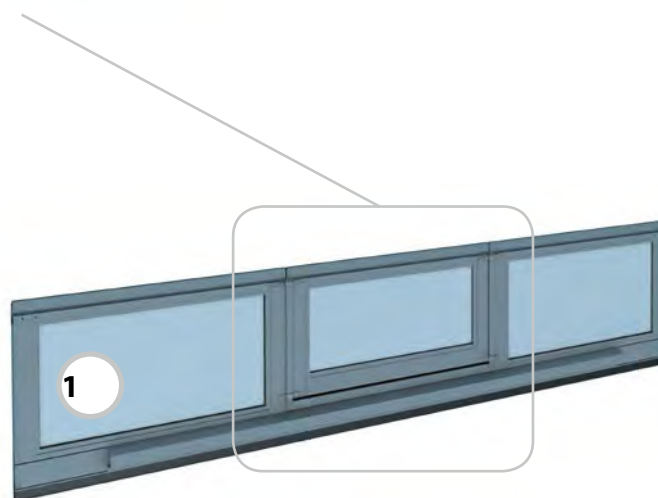
Состав: нижняя панель калитки с установленными профилями калитки.

Единица измеренияшт.

Арт.	Цвет*	Применение	Розничная цена, евро с НДС/шт.
LPA-3	RAL9016, 8014, 9006, 5010, 1015, 3004, 6005, 8017, 7016**	Для ворот с правой калиткой	202,00
	Другой цвет по каталогу RAL		+15% к стоимости стандартного цвета
LPA-17	RAL9016, 8014, 9006, 5010, 1015, 3004, 6005, 8017, 7016**	Для ворот с левой калиткой	202,00
	Другой цвет по каталогу RAL		+15% к стоимости стандартного цвета

* Указанные цвета имеют близкое соответствие шкале RAL.

** Стандартные цвета.



Панель промежуточная

Серия ворот:

- панорамные ворота AluPro;
- гаражные ворота Classic (ПО серии AluPro);
- промышленные ворота ProPlus (ПО серии AluPro).

Тип полотна ворот: АЛП, АЛПС, ПО.

Тип калитки:

- с плоским порогом 20 мм, со стандартным порогом 149 мм (АЛП);
- с плоским порогом 20 мм, с низким порогом 100 мм, со стандартным порогом 145 мм (АЛПС, ПО).

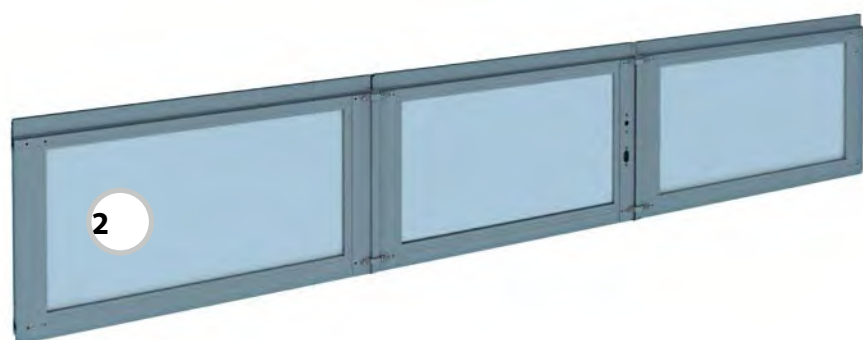
Состав: промежуточная калиточная панель с установленными калиточными профилями, замок калитки.

Единица измеренияшт.

Арт.	Цвет*	Применение	Розничная цена, евро с НДС/м ²
LPA-31	RAL9016, 8014, 9006, 5010, 1015, 3004, 6005, 8017, 7016**	Для ворот с правой калиткой	268,00
	Другой цвет по каталогу RAL		+15% к стоимости стандартного цвета
LPA-41	RAL9016, 8014, 9006, 5010, 1015, 3004, 6005, 8017, 7016**	Для ворот с левой калиткой	268,00
	Другой цвет по каталогу RAL		+15% к стоимости стандартного цвета

* Указанные цвета имеют близкое соответствие шкале RAL.

** Стандартные цвета.



ПАНОРАМНОЕ ПОЛОТНО ВОРОТ С КАЛИТКОЙ

Панель промежуточная

Серия ворот:

- панорамные ворота AluPro;
- гаражные ворота Classic (ПО серия AluPro);
- промышленные ворота ProPlus (ПО серия AluPro).

Тип полотна ворот: АЛП, АЛПС, ПО.

Тип калитки:

- с плоским порогом 20 мм, со стандартным порогом 149 мм (АЛП);
- с плоским порогом 20 мм, с низким порогом 100 мм, со стандартным порогом 145 мм (АЛПС, ПО).

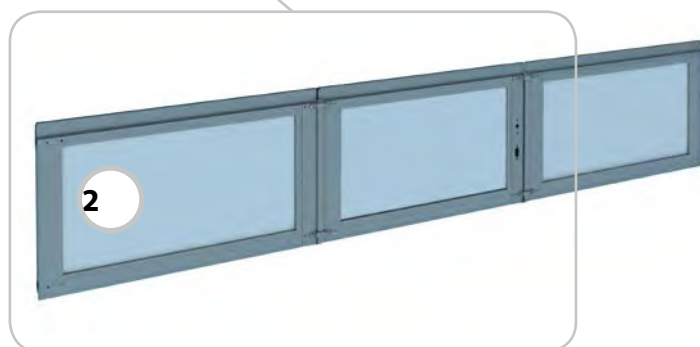
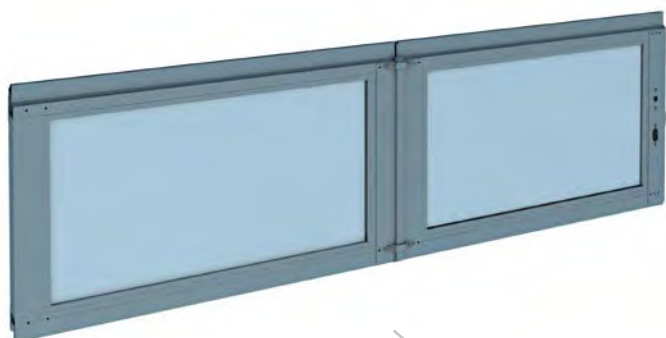
Состав: промежуточные панели калитки с установленными калиточными профилями, замок калитки.

Единица измеренияшт.

Арт.	Цвет*	Применение	Розничная цена, евро с НДС/м ²
LPA-5	RAL9016, 8014, 9006, 5010, 1015, 3004, 6005, 8017, 7016**	Для ворот с правой калиткой	327,00
	Другой цвет по каталогу RAL		+15% к стоимости стандартного цвета
LPA-19	RAL9016, 8014, 9006, 5010, 1015, 3004, 6005, 8017, 7016**	Для ворот с левой калиткой	327,00
	Другой цвет по каталогу RAL		+15% к стоимости стандартного цвета

* Указанные цвета имеют близкое соответствие шкале RAL.

** Стандартные цвета.



Панель промежуточная

Серия ворот:

- панорамные ворота AluPro;
- гаражные ворота Classic (ПО серия AluPro);
- промышленные ворота ProPlus (ПО серия AluPro).

Тип полотна ворот: АЛП, АЛПС, ПО.

Тип калитки:

- с плоским порогом 20 мм, со стандартным порогом 149 мм (АЛП);
- с плоским порогом 20 мм, с низким порогом 100 мм, со стандартным порогом 145 мм (АЛПС, ПО).

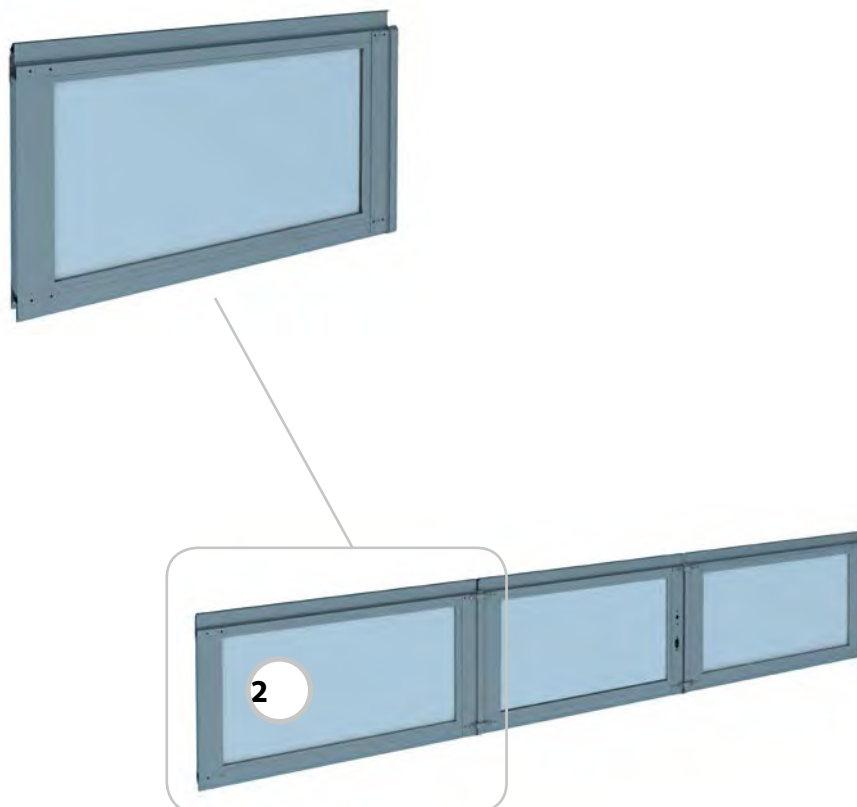
Состав: промежуточная панель калитки с установленными калиточными профилями.

Единица измеренияшт.

Арт.	Цвет*	Применение	Розничная цена, евро с НДС/м ²
LPA-6	RAL9016, 8014, 9006, 5010, 1015, 3004, 6005, 8017, 7016**	Для ворот с правой калиткой	331,00
	Другой цвет по каталогу RAL		+15% к стоимости стандартного цвета
LPA-20	RAL9016, 8014, 9006, 5010, 1015, 3004, 6005, 8017, 7016**	Для ворот с левой калиткой	331,00
	Другой цвет по каталогу RAL		+15% к стоимости стандартного цвета

* Указанные цвета имеют близкое соответствие шкале RAL.

** Стандартные цвета.



ПАНОРАМНОЕ ПОЛОТНО ВОРОТ С КАЛИТКОЙ

Панель промежуточная

Серия ворот:

- панорамные ворота AluPro;
- гаражные ворота Classic (ПО серия AluPro);
- промышленные ворота ProPlus (ПО серия AluPro).

Тип полотна ворот: АЛП, АЛПС, ПО.

Тип калитки:

- с плоским порогом 20 мм, со стандартным порогом 149 мм (АЛП);
- с плоским порогом 20 мм, с низким порогом 100 мм, со стандартным порогом 145 мм (АЛПС, ПО).

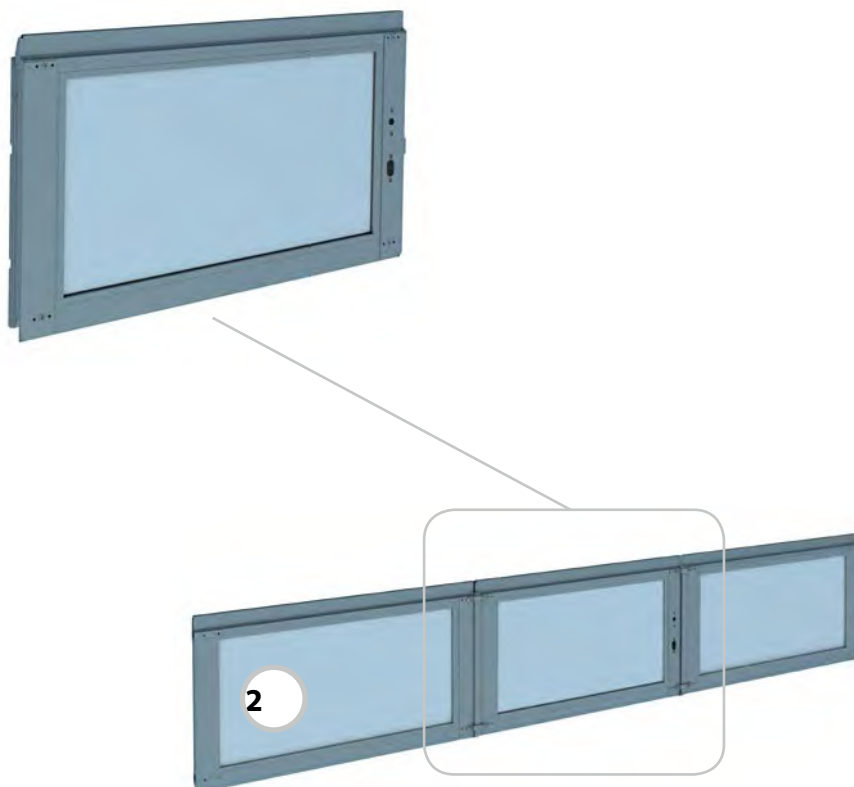
Состав: промежуточная панель калитки с установленными калиточными профилями, замок калитки.

Единица измеренияшт.

Арт.	Цвет*	Применение	Розничная цена, евро с НДС/шт.
LPA-7	RAL9016, 8014, 9006, 5010, 1015, 3004, 6005, 8017, 7016**	Для ворот с правой калиткой	267,00
	Другой цвет по каталогу RAL		+15% к стоимости стандартного цвета
LPA-21	RAL9016, 8014, 9006, 5010, 1015, 3004, 6005, 8017, 7016**	Для ворот с левой калиткой	267,00
	Другой цвет по каталогу RAL		+15% к стоимости стандартного цвета

* Указанные цвета имеют близкое соответствие шкале RAL.

** Стандартные цвета.



Панель промежуточная

Серия ворот:

- панорамные ворота AluPro;
- гаражные ворота Classic (ПО серия AluPro);
- промышленные ворота ProPlus (ПО серия AluPro).

Тип полотна ворот: АЛП, АЛПС, ПО.

Тип калитки:

- с плоским порогом 20 мм, со стандартным порогом 149 мм (АЛП);
- с плоским порогом 20 мм, с низким порогом 100 мм, со стандартным порогом 145 мм (АЛПС, ПО).

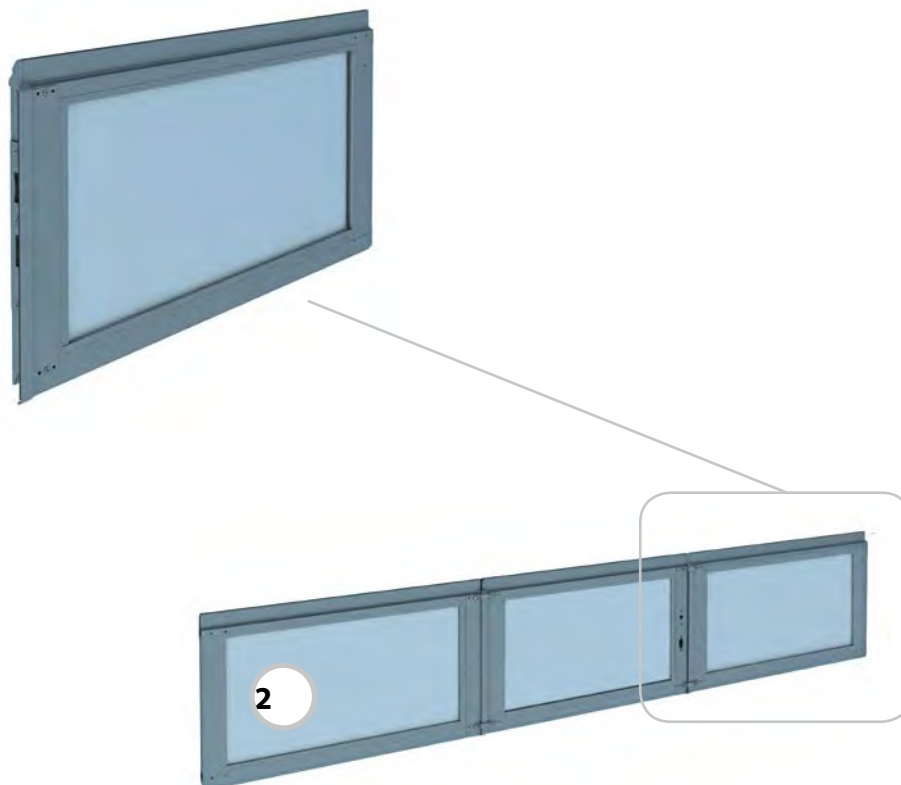
Состав: промежуточная панель калитки с установленными калиточными профилями.

Единица измеренияшт.

Арт.	Цвет*	Применение	Розничная цена, евро с НДС/м ²
LPA-8	RAL9016, 8014, 9006, 5010, 1015, 3004, 6005, 8017, 7016**	Для ворот с правой калиткой	331,00
	Другой цвет по каталогу RAL		+15% к стоимости стандартного цвета
LPA-22	RAL9016, 8014, 9006, 5010, 1015, 3004, 6005, 8017, 7016**	Для ворот с левой калиткой	331,00
	Другой цвет по каталогу RAL		+15% к стоимости стандартного цвета

* Указанные цвета имеют близкое соответствие шкале RAL.

** Стандартные цвета.



ПАНОРАМНОЕ ПОЛОТНО ВОРОТ С КАЛИТКОЙ

Панель промежуточная

Серия ворот:

- панорамные ворота AluPro;
- гаражные ворота Classic (ПО серия AluPro);
- промышленные ворота ProPlus (ПО серия AluPro).

Тип полотна ворот: АЛП, АЛПС, ПО.

Тип калитки:

- с плоским порогом 20 мм, со стандартным порогом 149 мм (АЛП);
- с плоским порогом 20 мм, с низким порогом 100 мм, со стандартным порогом 145 мм (АЛПС, ПО).

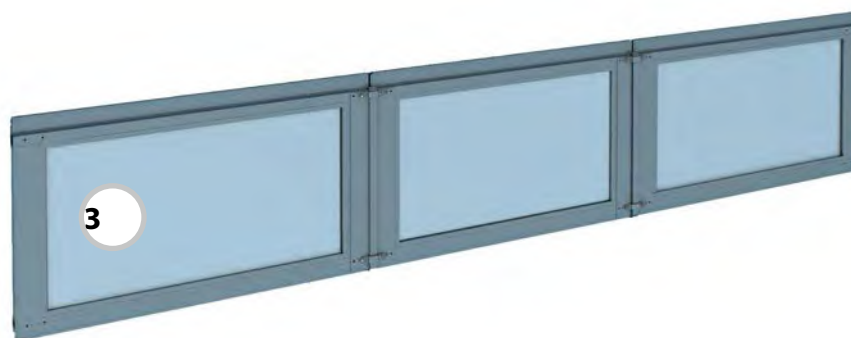
Состав: промежуточная калиточная панель с установленными калиточными профилями.

Единица измеренияшт.

Арт.	Цвет*	Применение	Розничная цена, евро с НДС/м ²
LPA-32	RAL9016, 8014, 9006, 5010, 1015, 3004, 6005, 8017, 7016**	Для ворот с правой калиткой	268,00
	Другой цвет по каталогу RAL		+15% к стоимости стандартного цвета
LPA-42	RAL9016, 8014, 9006, 5010, 1015, 3004, 6005, 8017, 7016**	Для ворот с левой калиткой	268,00
	Другой цвет по каталогу RAL		+15% к стоимости стандартного цвета

* Указанные цвета имеют близкое соответствие шкале RAL.

** Стандартные цвета.



Панель промежуточная

Серия ворот:

- панорамные ворота AluPro;
- гаражные ворота Classic (ПО серия AluPro);
- промышленные ворота ProPlus (ПО серия AluPro).

Тип полотна ворот: АЛП, АЛПС, ПО.

Тип калитки:

- с плоским порогом 20 мм, со стандартным порогом 149 мм (АЛП);
- с плоским порогом 20 мм, с низким порогом 100 мм, со стандартным порогом 145 мм (АЛПС, ПО).

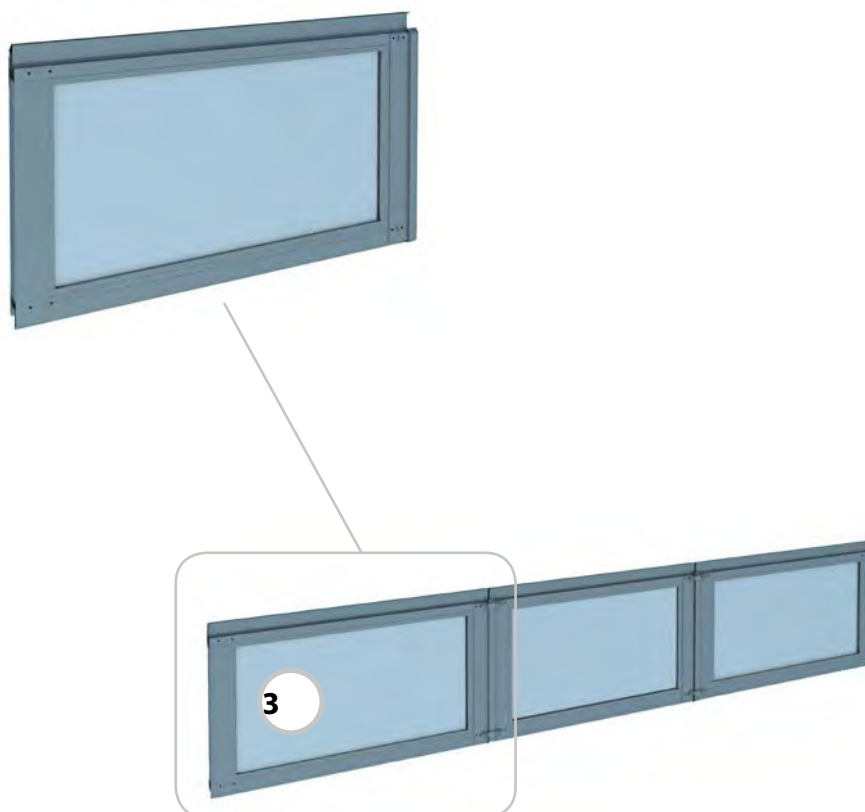
Состав: промежуточные панели калитки с установленными калиточными профилями.

Единица измеренияшт.

Арт.	Цвет*	Применение	Розничная цена, евро без НДС/м ²
LPA-33	RAL9016, 8014, 9006, 5010, 1015, 3004, 6005, 8017, 7016**	Для ворот с правой калиткой	331,00
	Другой цвет по каталогу RAL		+ 15% к стоимости стандартного цвета
LPA-43	RAL9016, 8014, 9006, 5010, 1015, 3004, 6005, 8017, 7016**	Для ворот с левой калиткой	331,00
	Другой цвет по каталогу RAL		+ 15% к стоимости стандартного цвета

* Указанные цвета имеют близкое соответствие шкале RAL.

** Стандартные цвета.



ПАНОРАМНОЕ ПОЛОТНО ВОРОТ С КАЛИТКОЙ

Панель промежуточная

Серия ворот:

- панорамные ворота AluPro;
- гаражные ворота Classic (ПО серия AluPro);
- промышленные ворота ProPlus (ПО серия AluPro).

Тип полотна ворот: АЛП, АЛПС, ПО.

Тип калитки:

- с плоским порогом 20 мм, со стандартным порогом 149 мм (АЛП);
- с плоским порогом 20 мм, с низким порогом 100 мм, со стандартным порогом 145 мм (АЛПС, ПО).

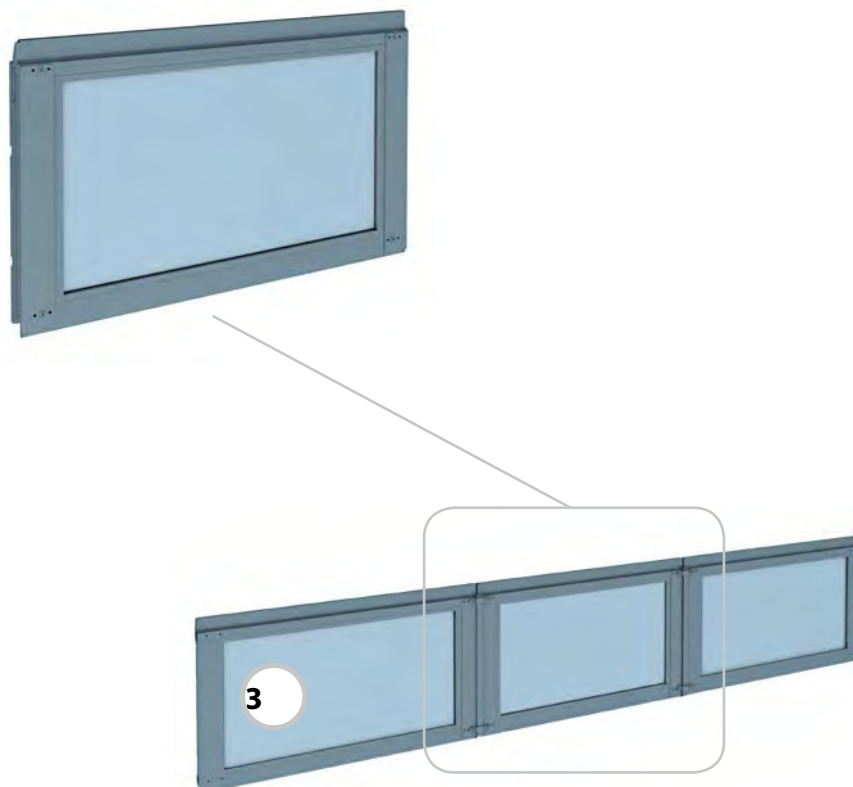
Состав: промежуточные панели калитки с установленными калиточными профилями.

Единица измеренияшт.

Арт.	Цвет*	Применение	Розничная цена, евро с НДС/шт.
LPA-34	RAL9016, 8014, 9006, 5010, 1015, 3004, 6005, 8017, 7016**	Для ворот с правой калиткой	202,00
	Другой цвет по каталогу RAL		+15% к стоимости стандартного цвета
LPA-44	RAL9016, 8014, 9006, 5010, 1015, 3004, 6005, 8017, 7016**	Для ворот с левой калиткой	202,00
	Другой цвет по каталогу RAL		+15% к стоимости стандартного цвета

* Указанные цвета имеют близкое соответствие шкале RAL.

** Стандартные цвета.



Панель промежуточная

Серия ворот:

- панорамные ворота AluPro;
- гаражные ворота Classic (ПО серия AluPro);
- промышленные ворота ProPlus (ПО серия AluPro).

Тип полотна ворот: АЛП, АЛПС, ПО.

Тип калитки:

- с плоским порогом 20 мм, со стандартным порогом 149 мм (АЛП);
- с плоским порогом 20 мм, с низким порогом 100 мм, со стандартным порогом 145 мм (АЛПС, ПО).

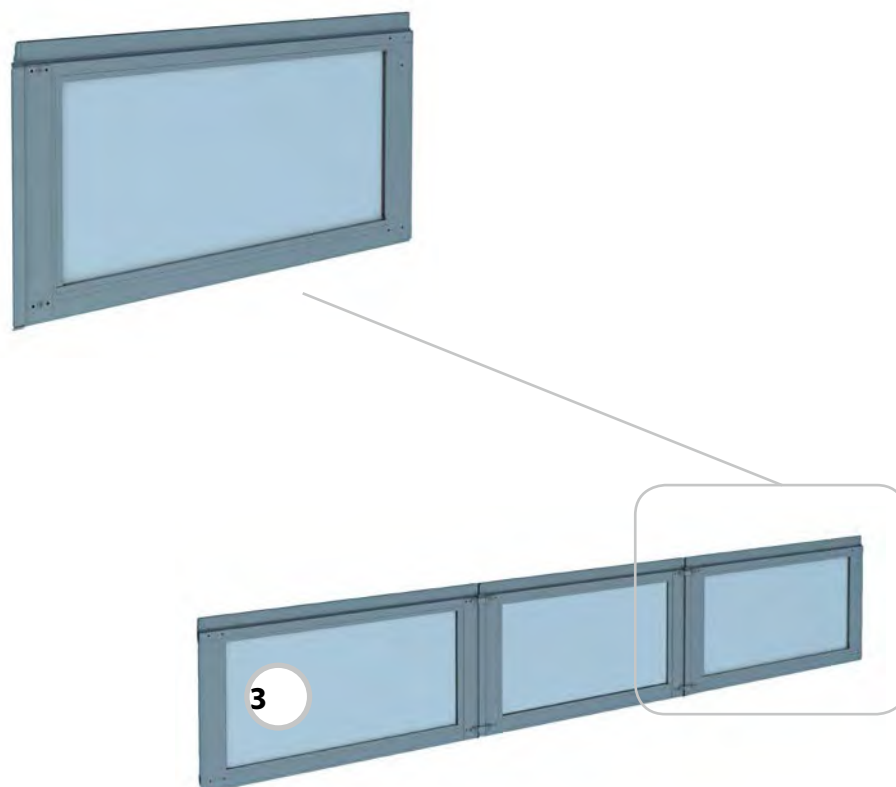
Состав: промежуточные панели калитки с установленными калиточными профилями.

Единица измеренияшт.

Арт.	Цвет*	Применение	Розничная цена, евро с НДС/м ²
LPA-35	RAL9016, 8014, 9006, 5010, 1015, 3004, 6005, 8017, 7016**	Для ворот с правой калиткой	331,00
	Другой цвет по каталогу RAL		+15% к стоимости стандартного цвета
LPA-45	RAL9016, 8014, 9006, 5010, 1015, 3004, 6005, 8017, 7016**	Для ворот с левой калиткой	331,00
	Другой цвет по каталогу RAL		+15% к стоимости стандартного цвета

* Указанные цвета имеют близкое соответствие шкале RAL.

** Стандартные цвета.



ПАНОРАМНОЕ ПОЛОТНО ВОРОТ С КАЛИТКОЙ

Панель промежуточная

Серия ворот:

- панорамные ворота AluPro;
- гаражные ворота Classic (ПО серия AluPro);
- промышленные ворота ProPlus (ПО серия AluPro).

Тип полотна ворот: АЛП, АЛПС, ПО.

Тип калитки:

- с плоским порогом 20 мм, со стандартным порогом 149 мм (АЛП);
- с плоским порогом 20 мм, с низким порогом 100 мм, со стандартным порогом 145 мм (АЛПС, ПО).

Состав: верхняя калиточная панель с установленными калиточными профилями.

Единица измеренияшт.

Арт.	Цвет*	Применение	Розничная цена, евро с НДС/м ²
LPA-36	RAL9016, 8014, 9006, 5010, 1015, 3004, 6005, 8017, 7016**	Для ворот с правой калиткой	268,00
	Другой цвет по каталогу RAL		+15% к стоимости стандартного цвета
LPA-46	RAL9016, 8014, 9006, 5010, 1015, 3004, 6005, 8017, 7016**	Для ворот с левой калиткой	268,00
	Другой цвет по каталогу RAL		+15% к стоимости стандартного цвета

* Указанные цвета имеют близкое соответствие шкале RAL.

** Стандартные цвета.



Панель промежуточная

Серия ворот:

- панорамные ворота AluPro;
- гаражные ворота Classic (ПО серия AluPro);
- промышленные ворота ProPlus (ПО серия AluPro).

Тип полотна ворот: АЛП, АЛПС, ПО.

Тип калитки:

- с плоским порогом 20 мм, со стандартным порогом 149 мм (АЛП);
- с плоским порогом 20 мм, с низким порогом 100 мм, со стандартным порогом 145 мм (АЛПС, ПО).

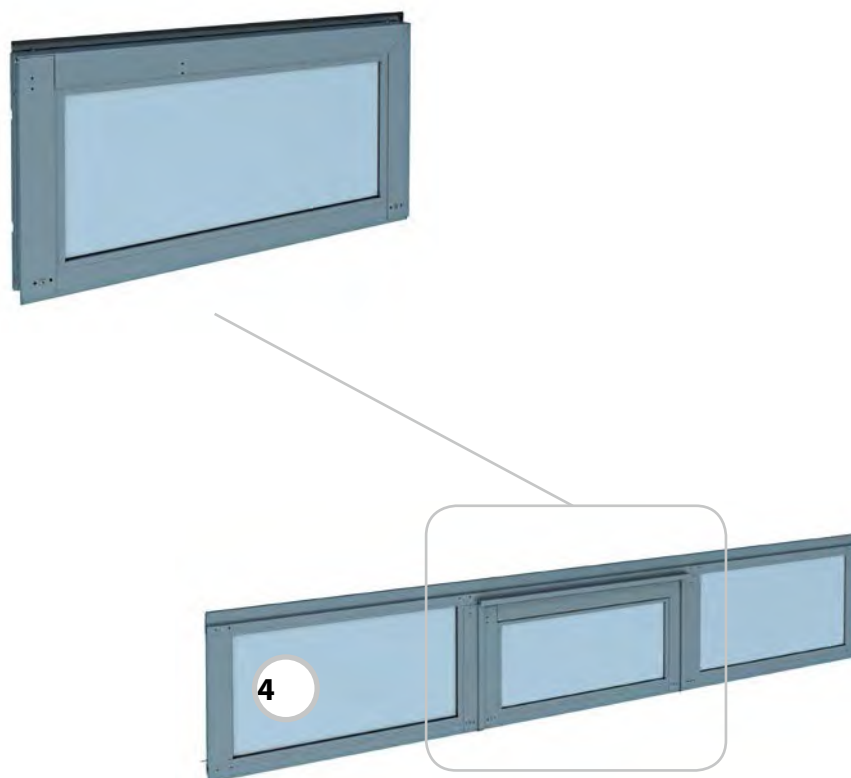
Состав: верхняя калиточная панель с установленными калиточными профилями.

Единица измеренияшт.

Арт.	Цвет*	Применение	Розничная цена, евро с НДС/шт.
LPA-37	RAL9016, 8014, 9006, 5010, 1015, 3004, 6005, 8017, 7016**	Для ворот с правой калиткой	202,00
	Другой цвет по каталогу RAL		+15% к стоимости стандартного цвета
LPA-47	RAL9016, 8014, 9006, 5010, 1015, 3004, 6005, 8017, 7016**	Для ворот с левой калиткой	202,00
	Другой цвет по каталогу RAL		+15% к стоимости стандартного цвета

* Указанные цвета имеют близкое соответствие шкале RAL.

** Стандартные цвета.



ПАНОРАМНОЕ ПОЛОТНО ВОРОТ С КАЛИТКОЙ

Панель промежуточная

Серия ворот:

- панорамные ворота AluPro;
- гаражные ворота Classic (ПО серия AluPro);
- промышленные ворота ProPlus (ПО серия AluPro).

Тип полотна ворот: АЛП, АЛПС, ПО.

Тип калитки:

- с плоским порогом 20 мм, со стандартным порогом 149 мм (АЛП);
- с плоским порогом 20 мм, с низким порогом 100 мм, со стандартным порогом 145 мм (АЛПС, ПО).

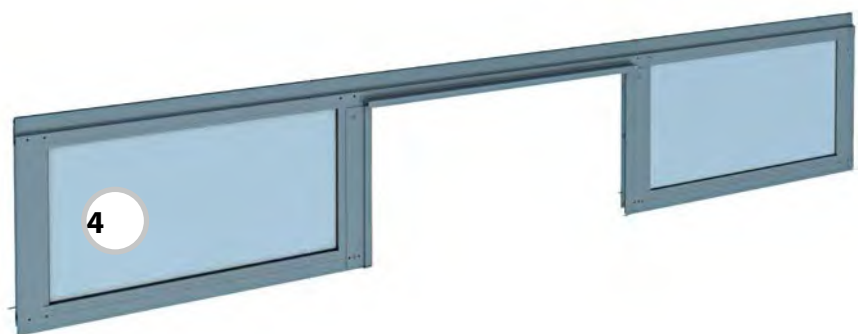
Состав: верхняя калиточная панель с установленными калиточными профилями.

Единица измеренияшт.

Арт.	Цвет*	Применение	Розничная цена, евро с НДС/м ²
LPA-38	RAL9016, 8014, 9006, 5010, 1015, 3004, 6005, 8017, 7016**	Для ворот с правой калиткой	203,00
	Другой цвет по каталогу RAL		+15% к стоимости стандартного цвета
LPA-48	RAL9016, 8014, 9006, 5010, 1015, 3004, 6005, 8017, 7016**	Для ворот с левой калиткой	203,00
	Другой цвет по каталогу RAL		+15% к стоимости стандартного цвета

* Указанные цвета имеют близкое соответствие шкале RAL.

** Стандартные цвета.



4

Механизм пружинно-инерционный

Тип ворот:

- гаражные ворота Classic с торсионными пружинами всех типов монтажа;
- промышленных ворот ProPlus.

Состав: вал (или два вала), пружины с пружинными наконечниками, промежуточный кронштейн, барабаны, два собранных с коушами троса.

Единица измеренияшт.

Арт.	Розничная цена, евро с НДС
GTS-1	по запросу



Элемент торсионный

Тип ворот:

- гаражные ворота Classic с торсионными пружинами всех типов монтажа;
- промышленных ворот ProPlus.

Состав:

- торсионная пружина с пружинными наконечниками (ТКУ-1-4);
- торсионная пружина с пружинными наконечниками, проставочный профиль (ТКУ-5 — ТКУ-8);
- дуплексная пружина с пружинными наконечниками, проставочный профиль (ТКУ-9, ТКУ-11).

Единица измеренияшт.



Арт.	Диаметр пружины, мм	Тип ворот	Примечание	Розничная цена, евро с НДС/м
ТКУ-1	51	Гаражные ворота Classic Промышленные ворота ProPlus	Левая	106,00
ТКУ-2			Правая	106,00
ТКУ-3	67	Гаражные ворота Classic Промышленные ворота ProPlus	Левая	162,00
ТКУ-4			Правая	162,00
ТКУ-5	95	Гаражные ворота Classic Промышленные ворота ProPlus	Левая	212,00
ТКУ-6			Правая	212,00
ТКУ-7	152	Промышленные ворота ProPlus	Левая	345,00
ТКУ-8			Правая	345,00
ТКУ-9	Дуплексная пружина (95+152 мм)	Промышленные ворота ProPlus	Левая	503,00
ТКУ-11			Правая	503,00

СИСТЕМА БАЛАНСИРОВКИ ПОЛОТНА ВОРОТ

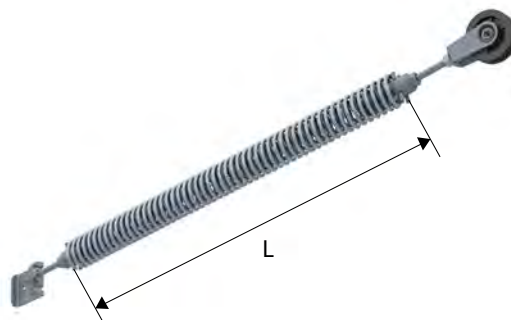
Элемент растяжения

Тип ворот: гаражные ворота Classic с пружинами растяжения.
Состав: пружина растяжения в сборе (внешняя и внутренняя пружина, фиксатор, узел верхний, кронштейн).

Единица измеренияшт.

Арт.	Розничная цена, евро с НДС/м
TKU-13	93,00€xL

L — длина пружины, м.



Элемент торсионного вала

Тип ворот:

- гаражные ворота серии Classic всех типов монтажа;
- промышленные ворота ProPlus всех типов монтажа.

 Состав: барабаны, два собранных с коушами троса.

Единица измеренияшт.



Арт.	Тип барабана	Типы ворот и монтажа	Розничная цена, евро с НДС/шт.	
			Трос из оцинкованной стали	Трос из нержавеющей стали
TKU-21	CD010N	Гаражные ворота Classic: стандартный и низкий монтаж Промышленные ворота ProPlus: стандартный, низкий, наклонный (5-40°), наклонный низкий (5-40°) типы монтажа	23,90€+(3,00€/мxL)	23,90€+(9,40€/мxL)
TKU-22	CD012N	Гаражные ворота Classic: стандартный и низкий монтаж Промышленные ворота ProPlus: стандартный, низкий, наклонный (5-40°), наклонный низкий (5-40°) типы монтажа	25,9€+(3,00€/мxL)	25,90€+(9,40€/мxL)
TKU-23	CD018N	Промышленные ворота ProPlus: стандартный, низкий, наклонный (5-40°), наклонный низкий (5-40°) типы монтажа	48,00€+(3,80€/мxL)	48,00€+(16,80€/мxL)
TKU-24	CD032N		227,00€+(3,80€/мxL)	227,00€+(16,80€/мxL)
TKU-25	CD032N-5/4		227,00€+(3,80€/мxL)	227,00€+(16,80€/мxL)
TKU-26	CD054H	Гаражные ворота Classic: высокий монтаж. Промышленные ворота ProPlus: высокий и наклонный высокий (5-40°) монтаж с верхним расположением вала, высокий и наклонный высокий (5-40°) монтаж с нижним расположением вала	61,90€+(3,00€/мxL)	61,90€+(9,40€/мxL)
TKU-27	CD120H	Промышленные ворота ProPlus: высокий и наклонный высокий (5-40°) монтаж с верхним расположением вала, высокий и наклонный высокий (5-40°) монтаж с нижним расположением вала	89,00€+(3,80€/мxL)	89,00€+(16,80€/мxL)
TKU-28	CD164H		270,00€+(3,80€/мxL)	270,00€+(16,80€/мxL)
TKU-29	CD164H-5/4		270,00€+(3,80€/мxL)	270,00€+(16,80€/мxL)
TKU-30	CD011V	Промышленные ворота ProPlus: вертикальный монтаж с верхним и нижним расположением вала, все типы наклонных монтажей (45°)	64,00€+(3,80€/мxL)	64,00€+(16,80€/мxL)
TKU-31	CD018V		124,00€+(3,80€/мxL)	124,00€+(16,80€/мxL)
TKU-32	CD018V-5/4		124,00€+(3,80€/мxL)	124,00€+(16,80€/мxL)

L — суммарная длина двух тросов, м.

Стойка вертикальная

Тип ворот:

- гаражные ворота Classic с торсионными пружинами;
- гаражные ворота Classic с пружинами растяжения.

Состав: угловой профиль, вертикальная направляющая, кронштейн шкива (низкий тип монтажа), соединительные пластины, боковой уплотнитель.

Единица измеренияшт.

Арт.	Тип ворот/ тип монтажа	Примечание	Розничная цена, евро с НДС/шт.
НKG-4	Classic/стандартный монтаж	Левая	23,00€/м×Н
НKG-5		Правая	23,00€/м×Н
НKG-9	Classic/низкий монтаж	Левая	22,00€/м×Н
НKG-10		Правая	22,00€/м×Н
НKG-18	Classic/пружины растяжения	Левая	19,00€/м×Н
НKG-19		Правая	19,00€/м×Н

Н — высота ворот, м.



8

Стойка вертикальная

Тип ворот: гаражные ворота серии Classic высокого типа монтажа.

Состав: угловой профиль, вертикальная направляющая, соединительные пластины, боковой уплотнитель.

Единица измеренияшт.

Арт.	Примечание	Розничная цена, евро с НДС/шт.
НKG-22	Левая	33,00€/м×(Н+НL)
НKG-23	Правая	33,00€/м×(Н+НL)

Н — высота ворот, м.

НL — высота от верха проема до горизонтальной направляющей, м.



СИСТЕМА НАПРАВЛЯЮЩИХ

Стойка вертикальная

Тип ворот: промышленные ворота ProPlus.

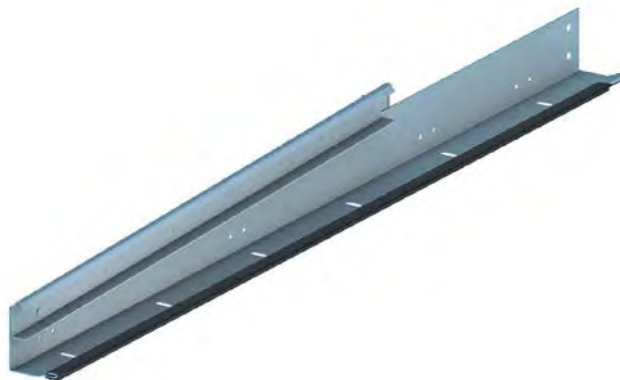
Тип монтажа: стандартный.

Состав: угловой профиль, вертикальная направляющая, соединительные пластины, боковой уплотнитель.

Единица измеренияшт.

Арт.	Применение (система подвеса)	Примечание	Розничная цена, евро с НДС/шт.
НКI-10	GSH-4	Левая	24,00€/м×Н
НКI-11		Правая	24,00€/м×Н
НКI-14	GSH-5	Левая, нижняя часть	24,00€/м×(Н-1,5)
НКI-15		Правая, нижняя часть	24,00€/м×(Н-1,5)
НКI-16	GSH-5	Левая, верхняя часть	38,00
НКI-17		Правая, верхняя часть	38,00

Н — высота ворот, м.



Угловая стойка, состоящая из цельного профиля (НКI-10, 11)



Нижняя часть
(НКI-14, 15)



Верхняя часть
(НКI-16, 17)

Угловая стойка, состоящая из двух отдельных частей

Стойка вертикальная

Тип ворот: промышленные ворота ProPlus.

Тип монтажа: высокий монтаж с верхним расположением вала.

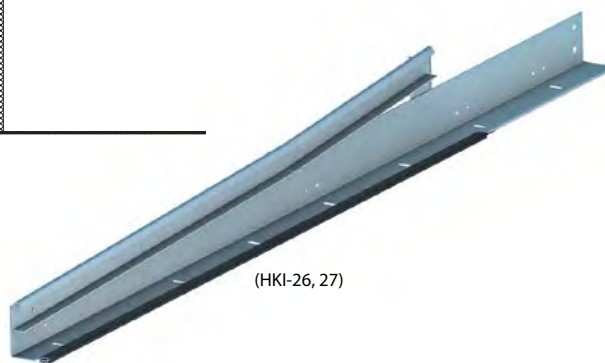
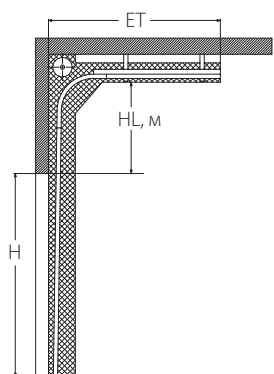
Состав: угловой профиль, вертикальная направляющая, соединительные пластины, боковой уплотнитель.

Единица измеренияшт.

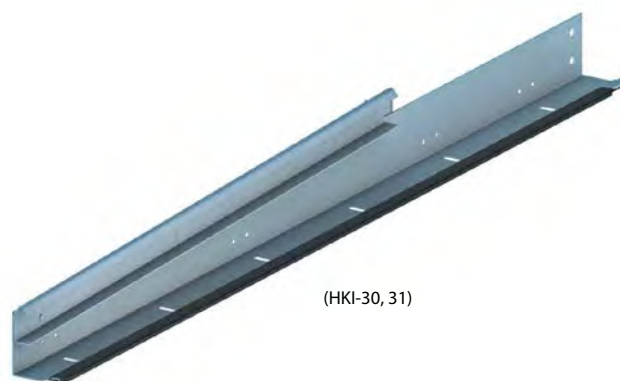
Арт.	Применение (система подвеса)	Примечание	Розничная цена, евро с НДС/шт.
HKI-20	GSH-6	Левая, нижняя часть	23,00€/м×H
HKI-21		Правая, нижняя часть	23,00€/м×H
HKI-22	GSH-6	Левая, верхняя часть	23,00€/м×(HL-0,2)
HKI-23		Правая, верхняя часть	23,00€/м×(HL-0,2)
HKI-26	GSH-7	Левая	22,00€/м×(HL+H)
HKI-27		Правая	22,00€/м×(HL+H)
HKI-30	GSH-8	Левая	25,50€/м×(HL+H)
HKI-31		Правая	25,50€/м×(HL+H)

H — высота ворот, м.

HL — высота от верха проема до горизонтальной направляющей, м.



(HKI-26, 27)



(HKI-30, 31)

Угловая стойка, состоящая из цельного профиля


 Нижняя часть
(HKI-20, 21)

 Верхняя часть
(HKI-22, 23)

Угловая стойка, состоящая из двух отдельных частей

СИСТЕМА НАПРАВЛЯЮЩИХ

Стойка вертикальная

Тип ворот: промышленные ворота ProPlus.

Тип монтажа: высокий монтаж с нижним расположением вала.

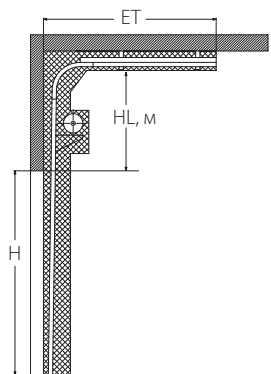
Состав: угловой профиль, вертикальная направляющая, соединительные пластины, боковой уплотнитель.

Единица измеренияшт.

Арт.	Применение (система подвеса)	Примечание	Розничная цена, евро с НДС/шт.
HKI-34	GSH-9	Левая, нижняя часть	25,50€/м×H
HKI-35		Правая, нижняя часть	25,50€/м×H
HKI-36	GSH-9	Левая, верхняя часть	27,00€/м×(HL-0,2)
HKI-37		Правая, верхняя часть	27,00€/м×(HL-0,2)
HKI-40	GSH-10	Левая	25,00€/м×(HL+H)
HKI-41		Правая	25,00€/м×(HL+H)

H — высота ворот, м.

HL — высота от верха проема до горизонтальной направляющей, м.



8



Угловая стойка, состоящая из цельного профиля



Нижняя часть
(HKI-34, 35)



Верхняя часть
(HKI-36, 37)

Угловая стойка, состоящая из двух отдельных частей

Стойка вертикальная

Тип ворот: промышленные ворота ProPlus.

Тип монтажа: вертикальный монтаж с верхним расположением вала.

Состав: угловой профиль, вертикальная направляющая, соединительные пластины, боковой уплотнитель.

Единица измеренияшт.

Арт.	Применение (система подвеса)	Примечание	Розничная цена, евро с НДС/шт.
НКI-48	GSH-12	Левая, нижняя часть	23,00€/м×Н
НКI-49		Правая, нижняя часть	23,00€/м×Н
НКI-50	GSH-12	Левая, верхняя часть	25,50€/м×Н
НКI-51		Правая, верхняя часть	25,50€/м×Н
НКI-52	GSH-13	Левая	24,00€/м×(Н×2)
НКI-53		Правая	24,00€/м×(Н×2)

Н — высота ворот, м.



(НКI-52, 53)

Угловая стойка, состоящая из цельного профиля


 Нижняя часть
(НКI-48, 49)

 Верхняя часть
(НКI-50, 51)

Угловая стойка, состоящая из двух отдельных частей

СИСТЕМА НАПРАВЛЯЮЩИХ

Стойка вертикальная

Тип ворот: промышленные ворота ProPlus.

Тип монтажа: вертикальный монтаж с нижним расположением вала.

Состав: угловой профиль, вертикальная направляющая, соединительные пластины, боковой уплотнитель.

Единица измеренияшт.

Арт.	Применение (система подвеса)	Примечание	Розничная цена, евро с НДС/шт.
НКI-54	GSH-14	Левая	24,00€/м×(Н×2)
НКI-55		Правая	24,00€/м×(Н×2)
НКI-60	GSH-16	Левая	18,00€/м×(Н×3)
НКI-61		Правая	18,00€/м×(Н×3)
НКI-56	GSH-15	Левая, нижняя часть	24,00€/м×Н
НКI-57		Правая, нижняя часть	24,00€/м×Н
НКI-58	GSH-15	Левая, верхняя часть	23,00€/м×Н
НКI-59		Правая, верхняя часть	23,00€/м×Н

Н — высота ворот.

8



(НКI-54, 55, 60, 61)

Угловая стойка, состоящая из цельного профиля



Нижняя часть
(НКI-56, 57)



Верхняя часть
(НКI-58, 59)

Угловая стойка, состоящая из двух отдельных частей

Стойка вертикальная

Тип ворот: промышленные ворота ProPlus.

Тип монтажа: наклонный.

Состав: угловой профиль, вертикальная направляющая, соединительные пластины, боковой уплотнитель.

Единица измеренияшт.

Арт.	Применение (система подвеса)	Примечание	Розничная цена, евро с НДС/шт.
HKI-62	GSH-19	Левая	27,00€/м×Н
HKI-63		Правая	27,00€/м×Н
HKI-66	GSH-20	Левая, нижняя часть	27,50€/м×(Н-1,5)
HKI-67		Правая, нижняя часть	27,50€/м×(Н-1,5)
HKI-68	GSH-20	Левая, верхняя часть	47,00
HKI-69		Правая, верхняя часть	47,00

Н — высота ворот.



(HKI-62, 63)

Угловая стойка, состоящая из цельного профиля


 Нижняя часть
(HKI-66, 67)

 Верхняя часть
(HKI-68, 69)

Угловая стойка, состоящая из двух отдельных частей

СИСТЕМА НАПРАВЛЯЮЩИХ

Стойка вертикальная

Тип ворот: промышленные ворота ProPlus.

Тип монтажа: наклонный высокий монтаж с верхним расположением вала.

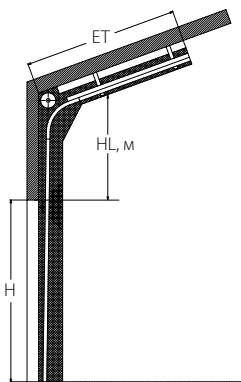
Состав: угловой профиль, вертикальная направляющая, соединительные пластины, боковой уплотнитель.

Единица измеренияшт.

Арт.	Применение (система подвеса)	Примечание	Розничная цена, евро с НДС/шт.
HKI-72	GSH-21	Левая, нижняя часть	26,00€/м×Н
HKI-73		Правая, нижняя часть	26,00€/м×Н
HKI-74	GSH-21	Левая, верхняя часть	28,00€/м×(Н-0,2)
HKI-75		Правая, верхняя часть	28,00€/м×(Н-0,2)
HKI-78	GSH-22	Левая	25,50€/м×(Н+HL)
HKI-79		Правая	25,50€/м×(Н+HL)
HKI-82	GSH-23	Левая	25,00€/м×(Н+HL)
HKI-83		Правая	25,00€/м×(Н+HL)

Н — высота ворот, м.

HL — высота от верха проема до горизонтальной направляющей, м.



(HKI-78, 79)



(HKI-82, 83)

Угловая стойка, состоящая из цельного профиля



Нижняя часть
(HKI-72, 73)



Верхняя часть
(HKI-74, 75)

Угловая стойка, состоящая из двух отдельных частей

Стойка вертикальная

Тип ворот: промышленные ворота ProPlus.

Тип монтажа: наклонный высокий монтаж с нижним расположением вала.

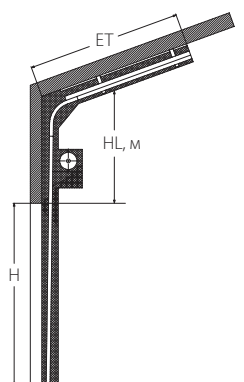
Состав: угловой профиль, вертикальная направляющая, соединительные пластины, боковой уплотнитель.

Единица измеренияшт.

Арт.	Применение (система подвеса)	Примечание	Розничная цена, евро с НДС/шт.
НКI-86	GSH-24	Левая, нижняя часть	26,00€/м×H
НКI-87		Правая, нижняя часть	26,00€/м×H
НКI-88	GSH-24	Левая, верхняя часть	38,00€/м×(H-0,2)
НКI-89		Правая, верхняя часть	38,00€/м×(H-0,2)
НКI-92	GSH-25	Левая	24,50€/м×(H+HL)
НКI-93		Правая	24,50€/м×(H+HL)

H — высота ворот, м.

HL — высота от верха проема до горизонтальной направляющей, м.



Угловая стойка, состоящая из цельного профиля



Нижняя часть
(НКI-86, 87)



Верхняя часть
(НКI-88, 89)

Угловая стойка, состоящая из двух отдельных частей

СИСТЕМА НАПРАВЛЯЮЩИХ

Стойка вертикальная

Тип ворот: промышленные ворота ProPlus.

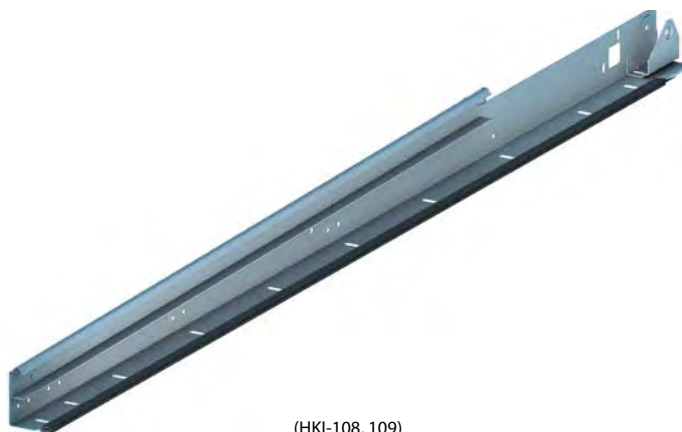
Тип монтажа: низкий.

Состав: угловой профиль, вертикальная направляющая, соединительные пластины, боковой уплотнитель, кронштейн для установки шкива.

Единица измеренияшт.

Арт.	Применение (система подвеса)	Примечание	Розничная цена, евро с НДС/шт.
НКИ-108	GSH-17	Левая	25,50€/м×Н
НКИ-109		Правая	25,50€/м×Н
НКИ-110	GSH-18	Левая, нижняя часть	25,50€/м×(Н-1,5)
НКИ-111		Правая, нижняя часть	25,50€/м×(Н-1,5)
НКИ-112	GSH-18	Левая, верхняя часть	38,00
НКИ-113		Правая, верхняя часть	38,00

Н — высота ворот, м.



(НКИ-108, 109)

Угловая стойка, состоящая из цельного профиля



Нижняя часть
(НКИ-110, 111)



Верхняя часть
(НКИ-112, 113)

Угловая стойка, состоящая из двух отдельных частей

Стойка вертикальная

Тип ворот: промышленные ворота ProPlus.

Тип монтажа: наклонный низкий.

Состав: угловой профиль, вертикальная направляющая, соединительные пластины, боковой уплотнитель, кронштейн для установки шкива.

Единица измеренияшт.

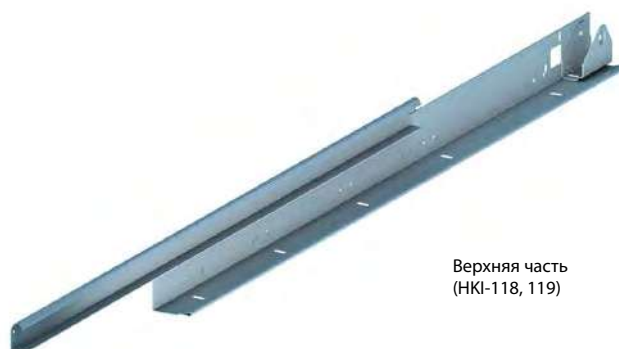
Арт.	Применение (система подвеса)	Примечание	Розничная цена, евро с НДС/шт.
НКИ-114	GSH-27	Левая	28,00€/м×Н
НКИ-115		Правая	28,00€/м×Н
НКИ-116	GSH-28	Левая, нижняя часть	27,00€/м×(Н-1,5)
НКИ-117		Правая, нижняя часть	27,00€/м×(Н-1,5)
НКИ-118	GSH-28	Левая, верхняя часть	45,00
НКИ-119		Правая, верхняя часть	45,00

Н — высота ворот, м.



(НКИ-114, 115)

Угловая стойка, состоящая из цельного профиля


 Нижняя часть
(НКИ-116, 117)

 Верхняя часть
(НКИ-118, 119)

Угловая стойка, состоящая из двух отдельных частей

СИСТЕМА НАПРАВЛЯЮЩИХ

Нацельник

Тип ворот:

- гаражные ворота Classic с пружинами растяжения;
- гаражные ворота Classic низкого и стандартного типов монтажа;
- промышленные ворота ProPlus низкого и наклонного низкого типов монтажа.

Состав: профиль передний, вставка уплотнительная боковая.

Единица измеренияшт.

Арт.	Тип ворот	Тип монтажа	Розничная цена, евро с НДС/шт.
НКГ-6	Classic	стандартный	8,00€/м×W
НКГ-11	Classic	низкий	8,00€/м×W
	ProPlus	• низкий монтаж • наклонный низкий	8,00€/м×W
НКГ-15	Classic с пружинами растяжения	—	8,00€/м×W

W — ширина ворот, м.



Направляющая горизонтальная

Тип ворот:

- гаражные ворота Classic с пружинами растяжения;
- гаражные ворота Classic низкого и стандартного типов монтажа.

Состав: профиль направляющий горизонтальный, узел передний, соединительные пластины.

Единица измеренияшт.

Арт.	Тип ворот	Тип монтажа	Примечание	Розничная цена, евро с НДС/шт.
НКГ-7	Classic	Стандартный	Левая	17,00€/м×Н
НКГ-8			Правая	17,00€/м×Н
НКГ-12	Classic	Низкий	Левая	18,00€/м×Н
НКГ-13			Правая	18,00€/м×Н
НКГ-16	Classic с пружинами растяжения	—	Левая	17,00€/м×Н
НКГ-17			Правая	17,00€/м×Н

Н — высота ворот, м.



Направляющая горизонтальная

Тип ворот: гаражные ворота Classic высокого типа монтажа.

Состав: профиль направляющий горизонтальный, узел передний, соединительные пластины.

Единица измеренияшт.

Арт.	Примечание	Розничная цена, евро с НДС/шт.
НКГ-20	Левая	15,00€/м×Н
НКГ-21	Правая	15,00€/м×Н

Н — высота ворот, м.



СИСТЕМА НАПРАВЛЯЮЩИХ

Направляющая горизонтальная

Тип ворот: промышленные ворота ProPlus всех типов монтажа.
Состав: профиль направляющий горизонтальный, узел передний, соединительные пластины.

Единица измеренияшт.



Арт.	Тип монтажа	Применение (система подвеса)	Примечание	Розничная цена, евро с НДС/шт.	
НКI-12	Стандартный	GSH-4	Левая	11,70€/м×Н	
НКI-13			Правая	11,70€/м×Н	
НКI-18		GSH-5	Левая	11,50€/м×Н	
НКI-19			Правая	11,50€/м×Н	
НКI-24	Высокий с верхним расположением вала	GSH-6	Левая	19,50€/м×Н	
НКI-25			Правая	19,50€/м×Н	
НКI-28		GSH-7	Левая	19,50€/м×Н	
НКI-29			Правая	19,50€/м×Н	
НКI-32		GSH-8	Левая	19,50€/м×Н	
НКI-33			Правая	19,50€/м×Н	
НКI-38		Высокий с нижним расположением вала	GSH-9	Левая	14,50€/м×Н
НКI-39				Правая	14,50€/м×Н
НКI-42	GSH-10		Левая	14,50€/м×Н	
НКI-43			Правая	14,50€/м×Н	
НКI-64	Наклонный	GSH-19	Левая	22,50€/м×Н	
НКI-65			Правая	22,50€/м×Н	
НКI-70		GSH-20	Левая	22,50€/м×Н	
НКI-71			Правая	22,50€/м×Н	
НКI-76	Наклонный высокий с верхним расположением вала	GSH-21	Левая	19,50€/м×Н	
НКI-77			Правая	19,50€/м×Н	
НКI-80		GSH-22	Левая	19,50€/м×Н	
НКI-81			Правая	19,50€/м×Н	
НКI-84		GSH-23	Левая	18,00€/м×Н	
НКI-85			Правая	18,00€/м×Н	
НКI-90	Наклонный высокий с нижним расположением вала	GSH-24	Левая	14,00€/м×Н	
НКI-91			Правая	14,00€/м×Н	
НКI-94		GSH-25	Левая	14,00€/м×Н	
НКI-95			Правая	14,00€/м×Н	
НКI-100		Низкий	GSH-17	Левая	22,00€/м×Н
НКI-101	Правая			22,00€/м×Н	
НКI-102	GSH-18		Левая	22,00€/м×Н	
НКI-103			Правая	22,00€/м×Н	
НКI-104	Наклонный низкий	GSH-27	Левая	22,50€/м×Н	
НКI-105			Правая	22,50€/м×Н	
НКI-106		GSH-28	Левая	22,50€/м×Н	
НКI-107			Правая	22,50€/м×Н	

Н — высота ворот, м.

Система направляющих

Тип ворот:

- гаражные ворота серии Classic низкого и стандартного типов монтажа;
- гаражные ворота Standard.

Состав: система горизонтальных и вертикальных направляющих (правая и левая), боковой уплотнитель, нащельник с уплотнителем, мерная планка.

Единица измеренияшт.



Арт.	Тип ворот	Тип монтажа	Розничная цена, евро с НДС/шт. Рассчитывается по формуле:
GSH-1	Classic	Стандартный	HKG-4+HKG-5+HKG-7+HKG-8+HKG-6+PRG07N×W+19,60€
GSH-2	Classic	Низкий	HKG-9+HKG-10+HKG-12+HKG-13+HKG-11+PRG07×W+19,60€
GSH-29	Classic с пружинами растяжения	—	HKG-18+HKG-19+HKG-16+HKG-17+HKG-15+PRG07NS×W+19,60€

W — ширина ворот, м.

HKG-4 — HKG-13, HKG-15—HKG-19 — цена за €/шт.

PRG07, PRG07N, PRG07NS — цена за €/м

 Прайс-лист на комплектующие для расчетной формулы
 расположен на стр.147-148, 305, 316-317.

8

Система направляющих

Тип ворот: гаражные ворота серии Classic высокого типа монтажа.

Состав: система горизонтальных и вертикальных направляющих (правая и левая), боковой уплотнитель, мерная планка.

Единица измеренияшт.

Арт.	Розничная цена, евро с НДС/шт.
GSH-3	HKG-22+HKG-23+HKG-20+HKG-21+ +PRG07N×W+15,8€

W — ширина ворот, м.

HKG-21 — HKG-23 — цена за €/шт.

PRG07N — цена за €/м

 Прайс-лист на комплектующие для расчетной формулы
 расположен на стр.147-148, 305, 316-317.


СИСТЕМА НАПРАВЛЯЮЩИХ

Система направляющих

Тип ворот: промышленные ворота ProPlus стандартного и высоких типов монтажа.
Состав: система горизонтальных и вертикальных направляющих (правая и левая), боковой уплотнитель, мерная планка.

Единица измеренияшт.

Арт.	Тип монтажа	Розничная цена, евро с НДС/шт. Рассчитывается по формуле:
GSH-4	Стандартный	HKI-10+HKI-11+HKI-12+HKI-13+PRG07N×W+19,00€
GSH-5		HKI-14+HKI-15+HKI-16+HKI-17+HKI-18+HKI-19+PRG07N×W+19,00€
GSH-6	Высокий с верхним расположением вала	HKI-20+HKI-21+HKI-22+HKI-23+HKI-24+HKI-25+PRG07N×W+19,00€
GSH-7		HKI-26+HKI-27+HKI-28+HKI-29+PRG07N×W+19,00€
GSH-8		HKI-30+HKI-31+HKI-32+HKI-33+PRG07N×W+19,00€
GSH-9	Высокий с нижним расположением вала	HKI-34+HKI-35+HKI-36+HKI-37+HKI-38+HKI-39+PRG07N×W+19,00€
GSH-10		HKI-40+HKI-41+HKI-42+HKI-43+PRG07N×W+19,00€

W — ширина ворот, м.

HKI-10 — HKI-43 — цена €/шт.

PRG07N — цена за €/м

Прайс-лист на комплектующие для расчетной формулы
расположен на стр.147, 306-308, 318



Стандартный монтаж



Высокий монтаж с нижним расположением вала



Высокий монтаж с верхним расположением вала

Система направляющих

Тип ворот: промышленные ворота ProPlus низких типов монтажа.
 Состав: система горизонтальных и вертикальных направляющих (правая и левая), боковой уплотнитель, мерная планка, кронштейн под установку шкива.

Единица измеренияшт.

Арт.	Тип монтажа	Розничная цена, евро с НДС/шт. Рассчитывается по формуле:
GSH-17	Низкий	$\text{HKI-108} + \text{HKI-109} + \text{HKI-100} + \text{HKI-101} + \text{HKG-11} + \text{PRG07} \times W + 19,00\text{€}$
GSH-18		$\text{HKI-110} + \text{HKI-111} + \text{HKI-112} + \text{HKI-113} + \text{HKI-102} + \text{HKI-103} + \text{HKG-11} + \text{PRG07} \times W + 19,00\text{€}$
GSH-27	Наклонный низкий	$\text{HKI-114} + \text{HKI-115} + \text{HKI-104} + \text{HKI-105} + \text{HKG-11} + \text{PRG07} \times W + 16,80\text{€}$
GSH-28		$\text{HKI-116} + \text{HKI-117} + \text{HKI-118} + \text{HKI-119} + \text{HKI-106} + \text{HKI-107} + \text{HKG-11} + \text{PRG07} \times W + 16,80\text{€}$

W — ширина ворот, м.

HKG-11, HKI-100—HKI-119 — цена €/шт.

PRG07 — цена за €/м

Прайс-лист на комплектующие для расчетной формулы расположен на стр.148, 314-315, 318.



Низкий монтаж



Наклонный низкий

СИСТЕМА НАПРАВЛЯЮЩИХ

Система направляющих

Тип ворот: промышленные ворота ProPlus вертикальных типов монтажа.
Состав: система вертикальных направляющих (правая и левая), боковой уплотнитель, мерная планка.

Единица измеренияшт.

Арт.	Тип монтажа	Розничная цена, евро с НДС/шт. Рассчитывается по формуле:
GSH-12	Вертикальный с верхним расположением вала	HKI-48+HKI-49+HKI-50+HKI-51+PRG07N×W+2,10€
GSH-13		HKI-52+HKI-53+PRG07N×W+2,10€
GSH-14	Вертикальный с нижним расположением вала	HKI-54+HKI-55+PRG07N×W+2,10€
GSH-15		HKI-56+HKI-57+HKI-58+HKI-59+PRG07N×W+2,10€
GSH-16		HKI-60+HKI-61+PRG07N×W+2,10€

W — ширина ворот, м.

HKI-48 — HKI-61 — цена €/шт.

RG07N — цена за €/м

Прайс-лист на комплектующие для расчетной формулы
расположен на стр.147, 309-310.



Вертикальный монтаж с верхним расположением вала



Вертикальный монтаж с нижним расположением вала

Система направляющих

Тип ворот: промышленные ворота ProPlus наклонных типов монтажа.
 Состав: система вертикальных и горизонтальных направляющих (правая и левая), боковой уплотнитель, мерная планка.

Единица измеренияшт.

Арт.	Тип монтажа	Розничная цена, евро с НДС/шт. Рассчитывается по формуле:
GSH-19	Наклонный	$\text{HKI-62} + \text{HKI-63} + \text{HKI-64} + \text{HKI-65} + \text{PRG07N} \times W + 16,80\text{€}$
GSH-20		$\text{HKI-66} + \text{HKI-67} + \text{HKI-68} + \text{HKI-69} + \text{HKI-70} + \text{HKI-71} + \text{PRG07N} \times W + 16,80\text{€}$
GSH-21	Наклонный высокий с верхним расположением вала	$\text{HKI-72} + \text{HKI-73} + \text{HKI-74} + \text{HKI-75} + \text{HKI-76} + \text{HKI-77} + \text{PRG07N} \times W + 16,80\text{€}$
GSH-22		$\text{HKI-78} + \text{HKI-79} + \text{HKI-80} + \text{HKI-81} + \text{PRG07N} \times W + 16,80\text{€}$
GSH-23		$\text{HKI-82} + \text{HKI-83} + \text{HKI-84} + \text{HKI-85} + \text{PRG07N} \times W + 16,80\text{€}$
GSH-24	Наклонный высокий с нижним расположением вала	$\text{HKI-86} + \text{HKI-87} + \text{HKI-88} + \text{HKI-89} + \text{HKI-90} + \text{HKI-91} + \text{PRG07N} \times W + 16,80\text{€}$
GSH-25		$\text{HKI-92} + \text{HKI-93} + \text{HKI-94} + \text{HKI-95} + \text{PRG07N} \times W + 16,80\text{€}$

W — ширина ворот, м.

HKI-62—HKI-95 — цена €/шт.

RG07N — цена за €/м

Прайс-лист на комплектующие для расчетной формулы
 расположен на стр.147, 311—313, 318.



Наклонный высокий монтаж с нижним расположением вала



Наклонный высокий монтаж с верхним расположением вала



Наклонный

РЕМОНТНЫЕ УЗЛЫ



ООО «Алютех Воротные Системы»



СООО «АлюминТехно»



ООО «Алютех Инкorporейтед»

Группа компаний «АЛЮТЕХ» является одним из лидеров рынка роллетных систем и секционных ворот Западной и Восточной Европы, ведущим производителем алюминиевых профильных систем на территории СНГ. Холдинг «АЛЮТЕХ» включает пять производственных предприятий, среди них 3 завода по производству секционных ворот в Беларуси, России и Украине.

Все предприятия «АЛЮТЕХ» оснащены высокотехнологичным оборудованием, таким как:

- две современные линии по производству сэндвич-панелей для секционных ворот;
- ролформинговые линии;
- комплекс по окраске и резке алюминиевой ленты;
- высокотехнологичные линии по производству алюминиевых экструдированных профилей;
- автоматизированные комплексы литья алюминиевых деталей;
- современные линии порошковой окраски;
- крупнейший в СНГ комплекс по анодированию алюминиевых профилей.

Наличие собственных производственных комплексов позволяет специалистам Группы компаний «АЛЮТЕХ» контролировать качество продукции на всех этапах производственного процесса: от закупки сырьевых материалов до выпуска готовой продукции и ее упаковки. Система менеджмента качества на всех предприятиях Группы сертифицирована на соответствие требованиям международного стандарта ISO 9001 в системе TÜV CERT.

Группа компаний «АЛЮТЕХ» активно расширяет рынки сбыта. Сегодня продукция компании поставляется в 65 стран СНГ, Балтии, Скандинавии, Западной и Восточной Европы, а также в США, Канаду и Австралию. Секционные ворота «АЛЮТЕХ» безупречно выполняют функции по обеспечению комфорта и безопасности, воплощая в себе эстетику системного качества, достойную вас и вашего дома.